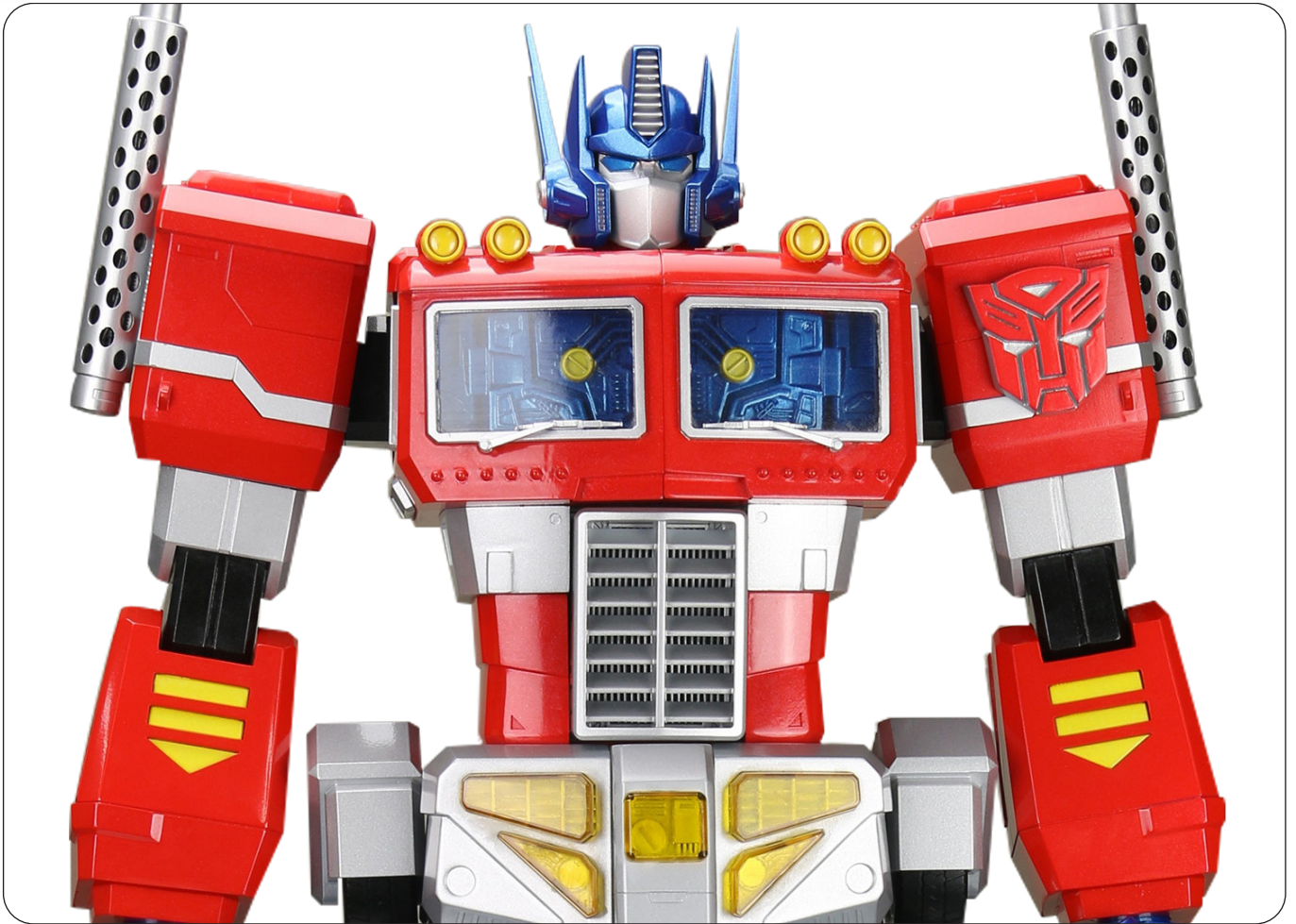


OPTIMUS PRIME



Pack 12: Energon Axe

BUILD INSTRUCTIONS

AGORA
MODELS®

Advice from the experts

 **Please keep ALL unused screws as they may be required in a later stage.**

Please make sure you don't mix up the screws. They look quite similar, but the threads do vary slightly. Using the wrong screws may damage the parts.

When securing parts together using multiple screws, fit each screw loosely to ensure all the parts are correctly aligned before gently tightening them firmly, but not overtight, in the order in which you placed them.

The screwdriver can be magnetized by stroking it with a magnet (fridge magnet, etc.) enabling it to hold the screws and make assembly easier.

If a screw is tight going into a metal part, do not force it as you may shear the head off. Remove it and put a tiny smear of Vaseline, soap or light oil on the thread. That will lubricate it and make it easier to drive home.

Some parts will require a little glue for assembly. Please apply glue sparingly and use a cocktail stick so that you don't use too much nor apply the glue too heavily. We recommend superglue gel or Extra Thin Liquid modeling glue. Where possible, parts should be test-fitted in place before gluing.



Look out for the glue symbol and apply glue to the red area indicated in the picture.

During the course of this build, you will receive many pieces that you will assemble immediately – following the instructions in the corresponding stage – and other pieces that you should store in the tray supplied, for use in future assembly stages.

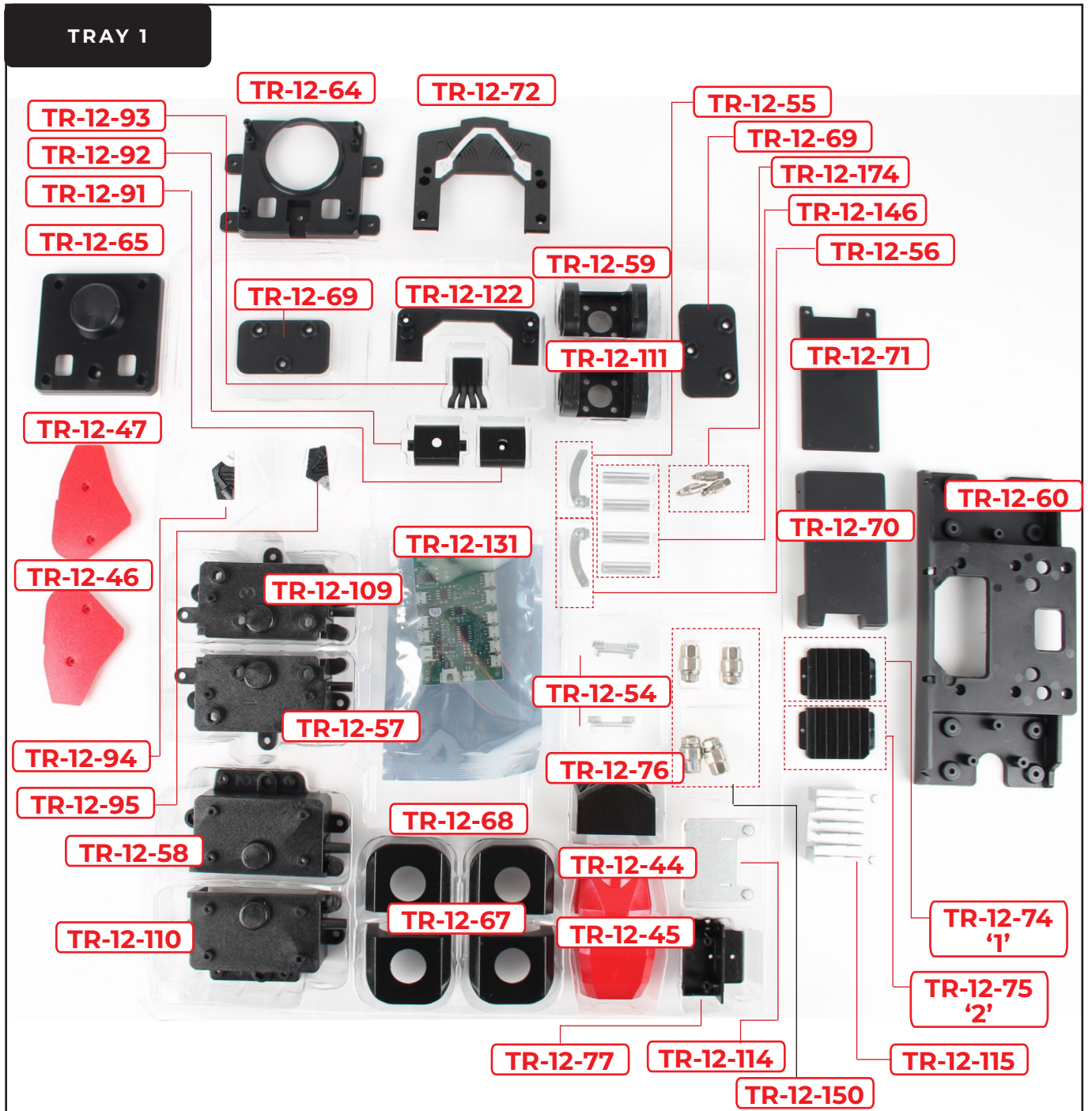
Always protect the paint finish on components by placing a cutting mat, sheet of white paper or soft cloth on your work surface.

Left and Right! When building your Optimus Prime, the left or right hand side refers to each side as viewed by Optimus Prime. Optimus Prime's left arm is on the viewer's right.



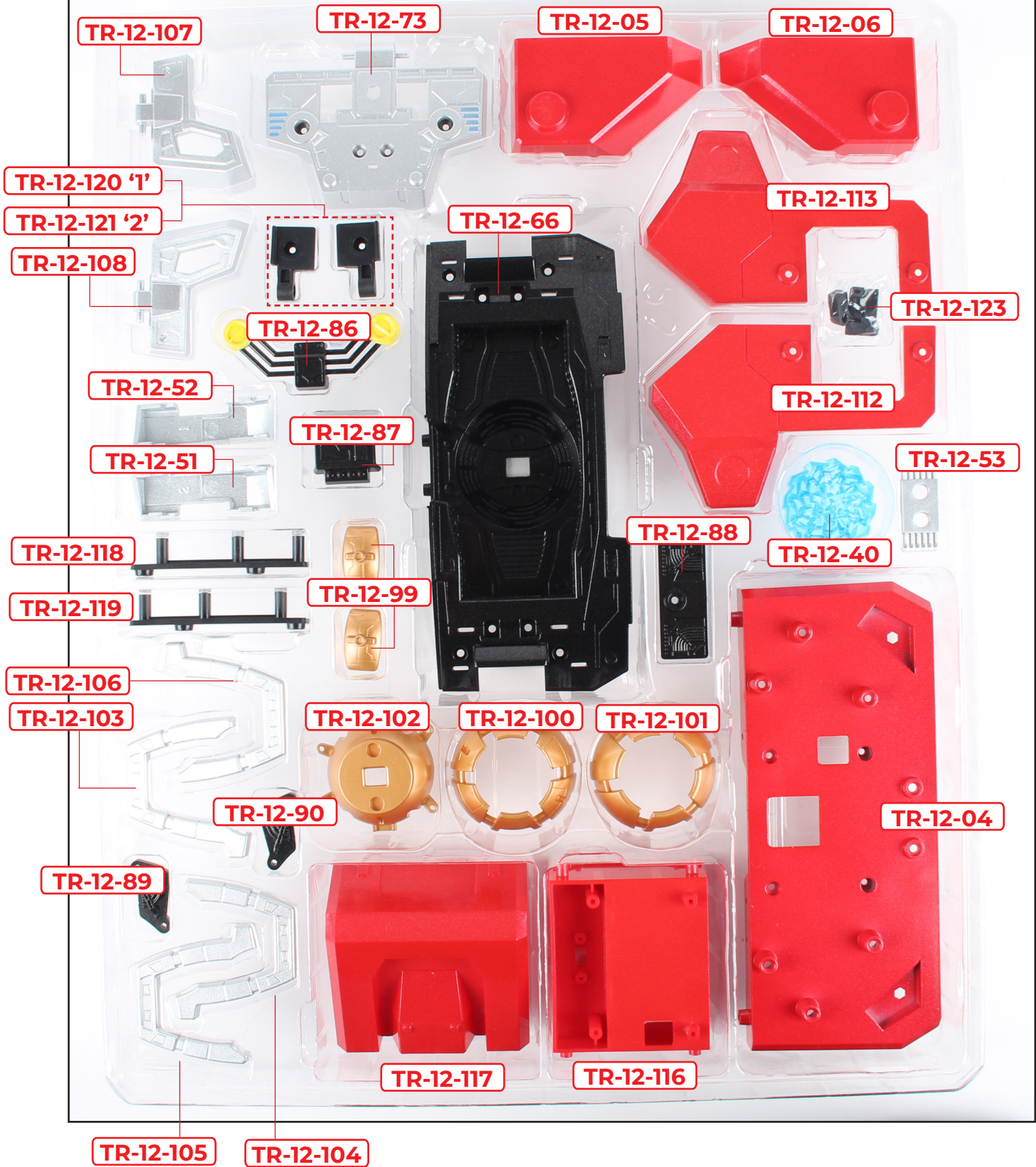
WARNING: Some parts are assembled using magnets. These magnets can cause serious injury if they are swallowed. Keep away from children. If you suspect a magnet has been swallowed, seek medical help straight away.

Pack 12 Parts



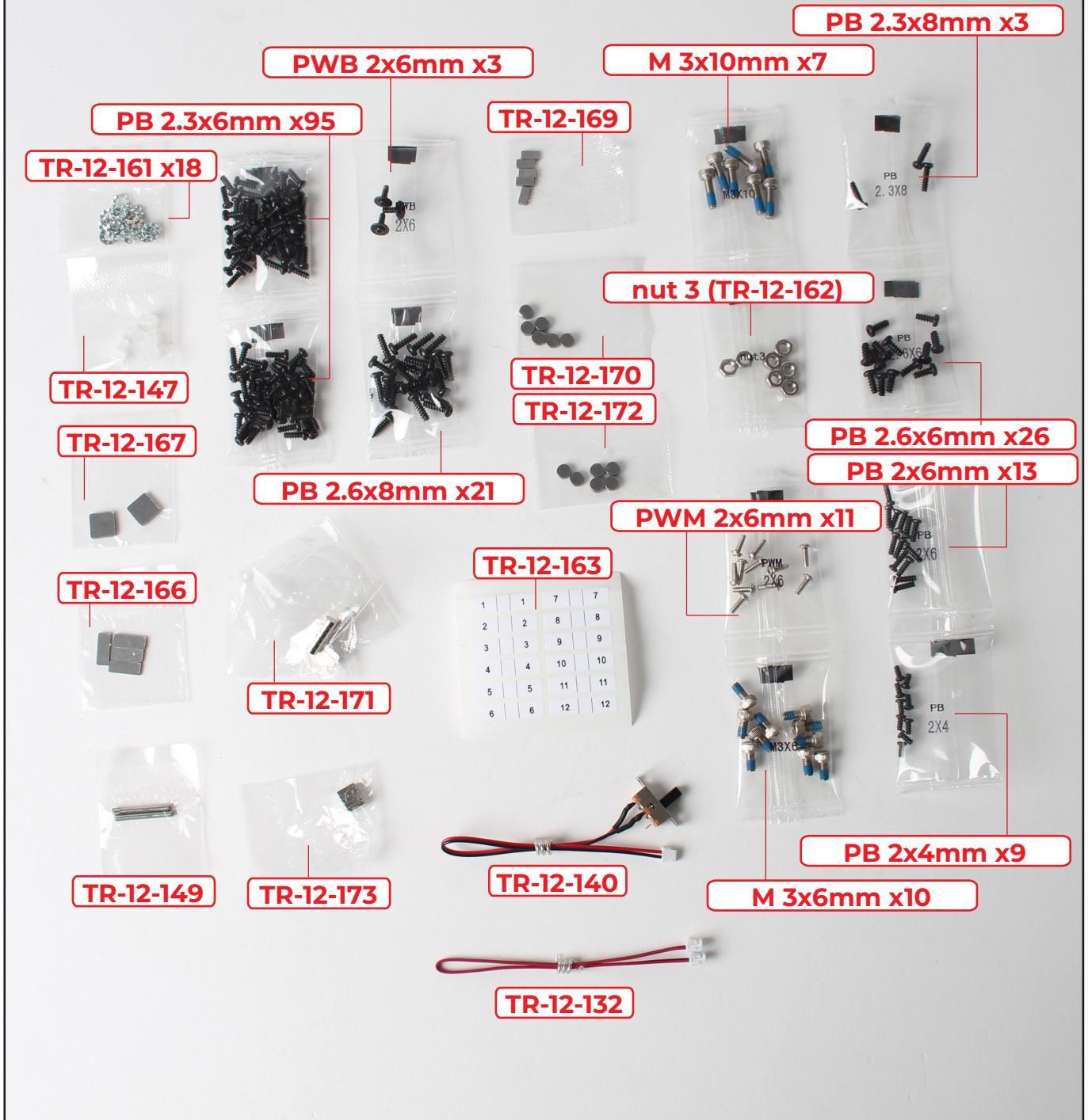
Pack 12 Parts

TRAY 2



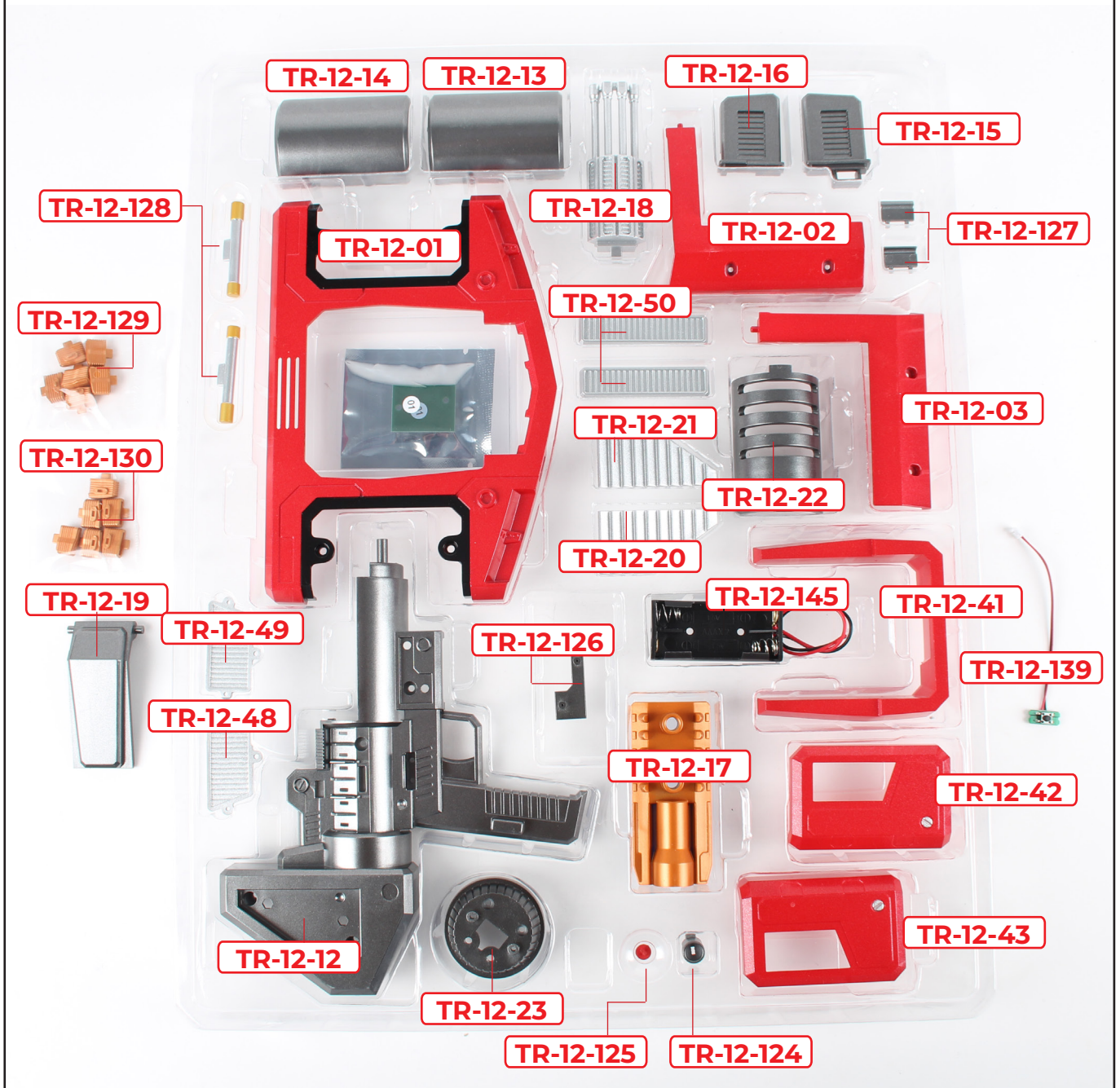
Pack 12 Parts

TRAY 2: Continued...

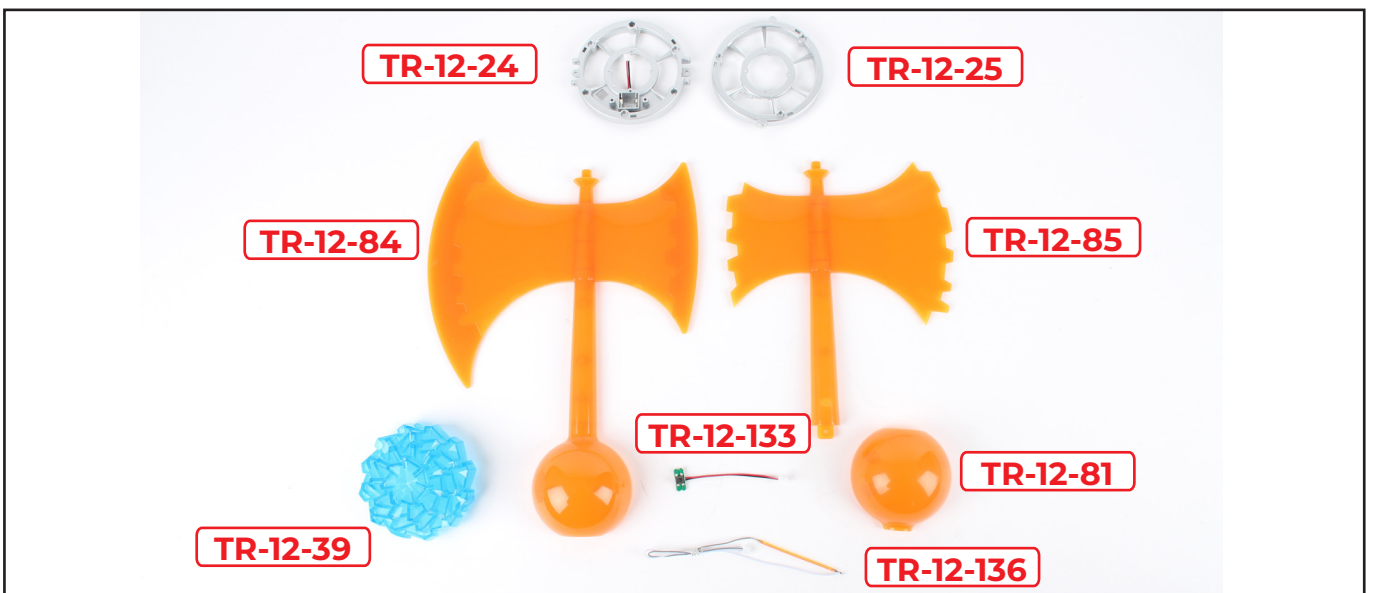
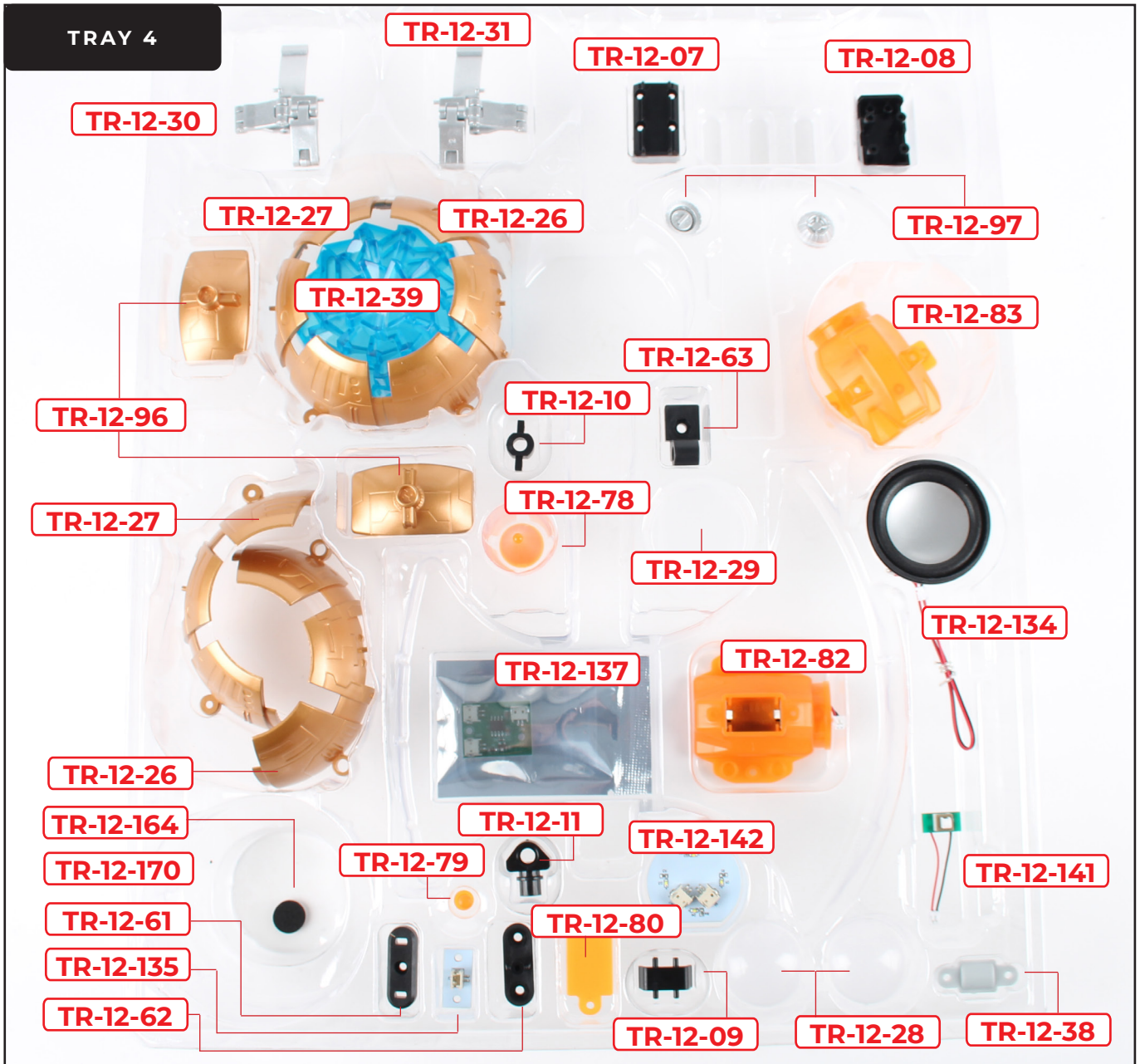


Pack 12 Parts

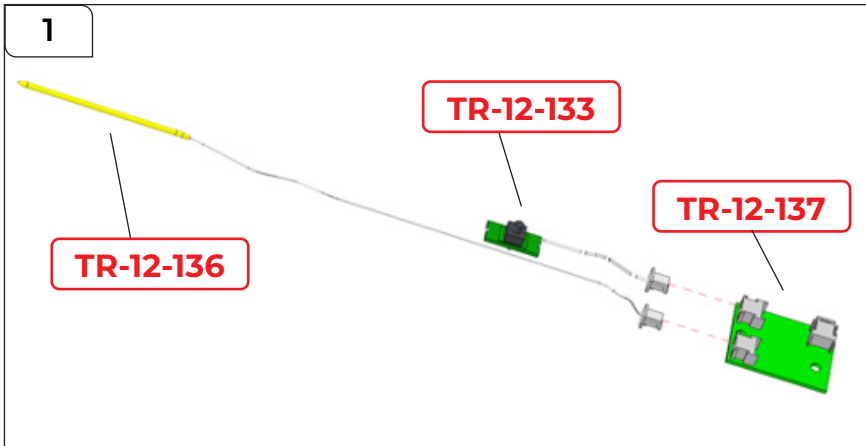
TRAY 3



Pack 12 Parts



Assembling the Energon Axe

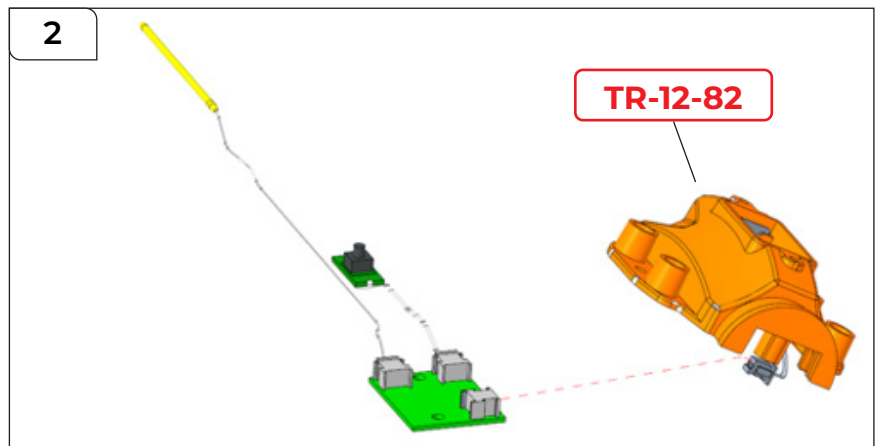


STEP 1

Take the circuit board TR-12-137 and plug in the sockets on TR-12-133 and TR-12-136.

STEP 2

Connect the plug on TR-12-82 to the remaining socket on the circuit board.

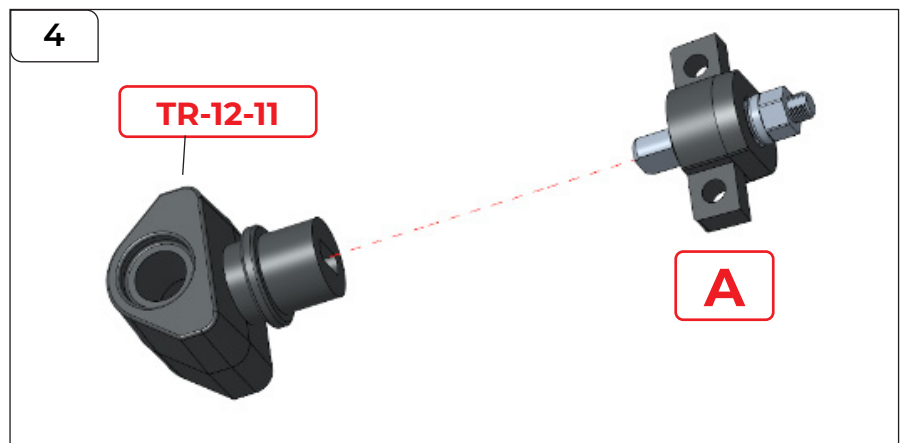


STEP 3

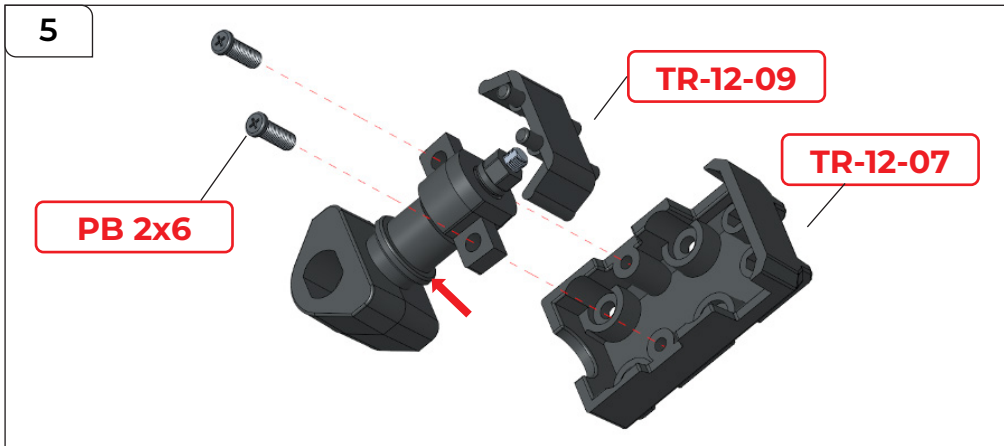
Take parts TR-12-10 and TR-12-174, aligning them as shown, then fit them together.

STEP 4

Attach TR-12-11 to the assembly A.

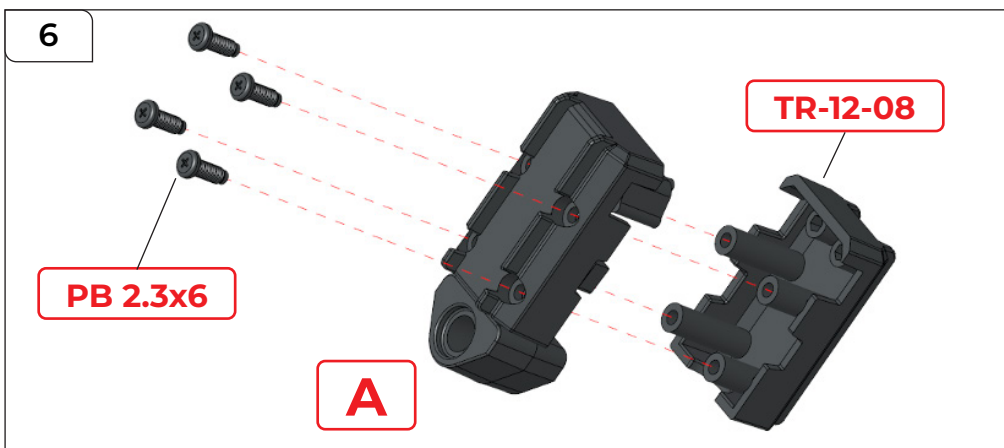


Assembling the Energon Axe



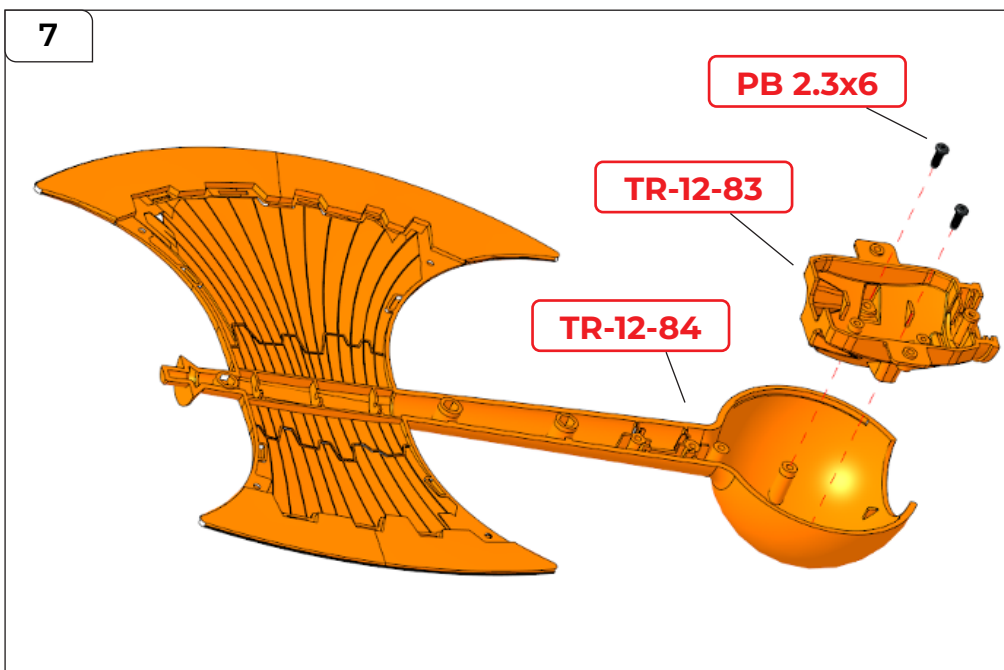
STEP 5

Attach TR-12-09 to the assembly, then fit them to TR-12-07. The rim (arrow) should be on the inside. Secure parts together using 2x PB 2x6 mm screws.



STEP 6

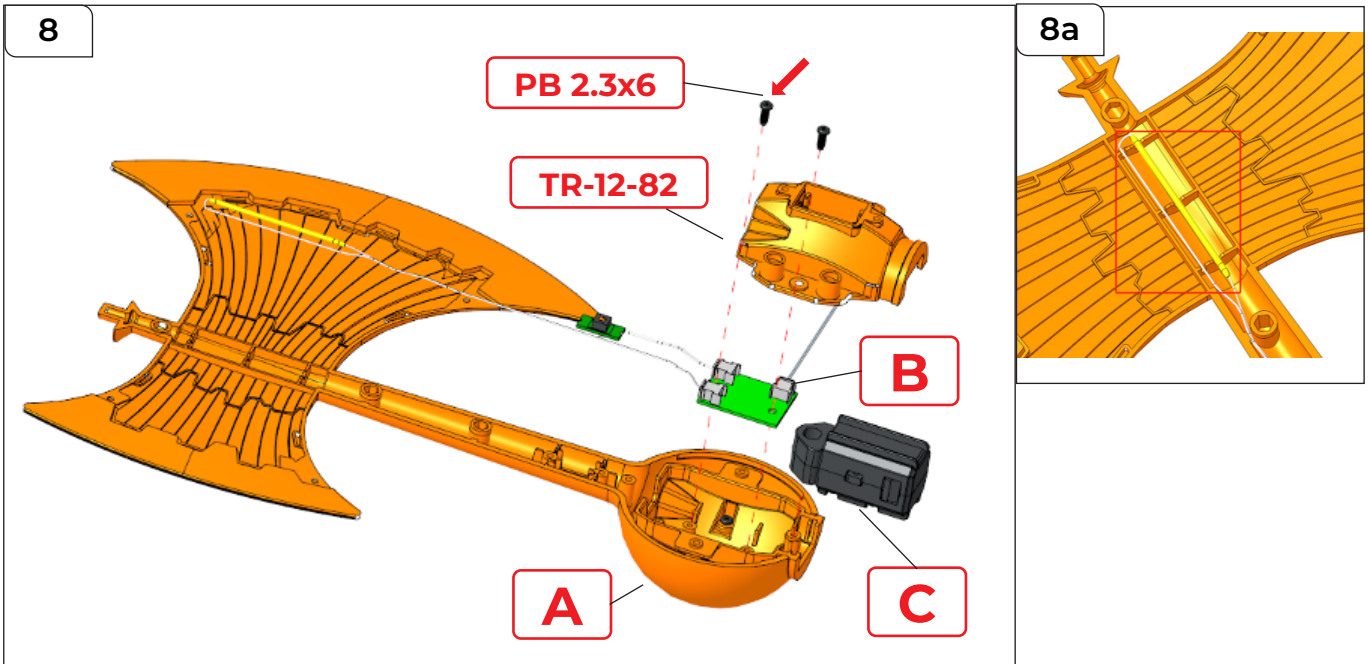
Attach the assembly A to TR-12-08 and secure together using 4x PB 2.3x6 mm screws.



STEP 7

Take TR-12-84 and TR-12-83 and attach them together using 2x PB 2.3x6 mm screws.

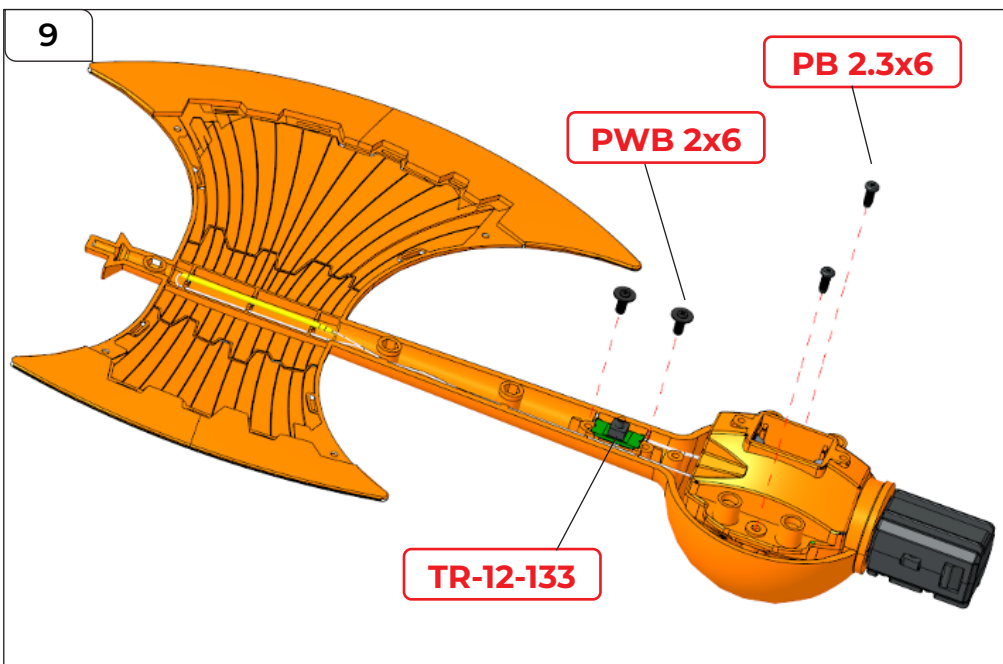
Assembling the Energon Axe



STEP 8

Fit the circuit board assembly (B) to assembly A, routing the cables as shown. Picture 8a shows the light tube in the centre slots and the cable in the side slots. Secure the circuit board using 2x PB 2.3x6 mm screw (arrow). Note: the screws do not pass through TR-12-82 in this step.

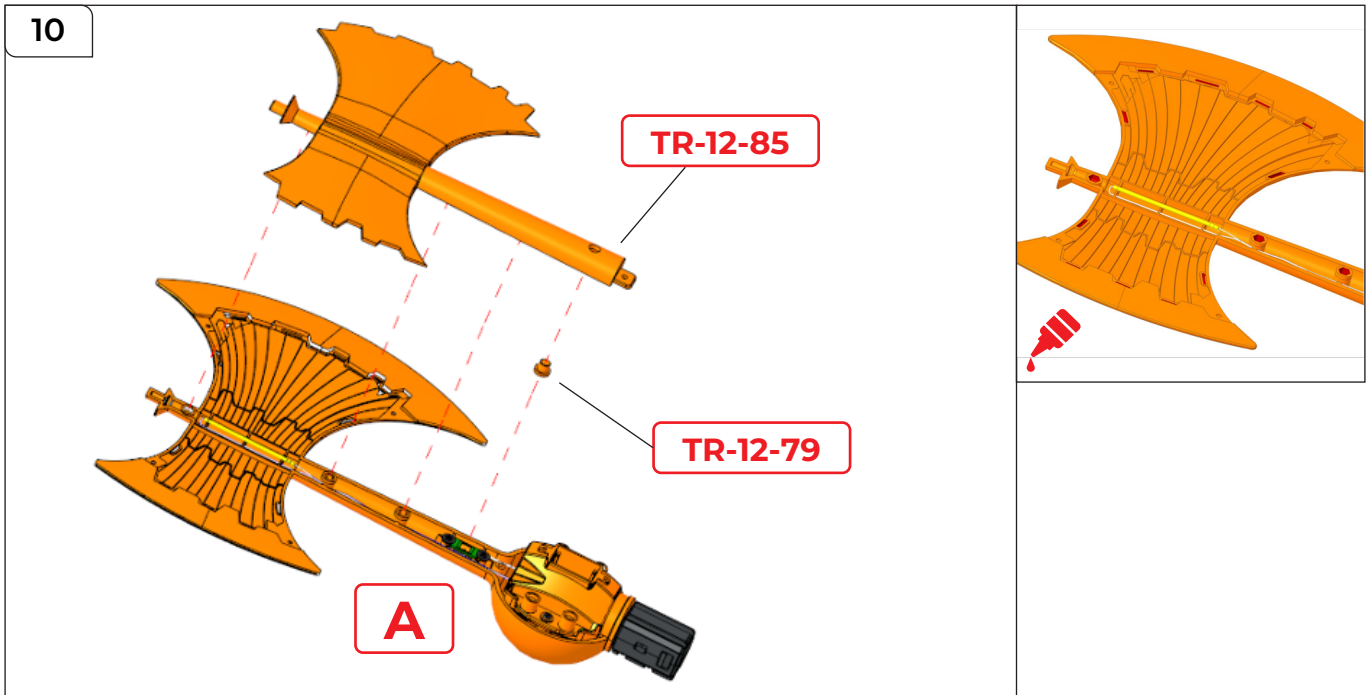
Then fit assembly C in place on assembly A before fitting TR-12-82 over the top.



STEP 9

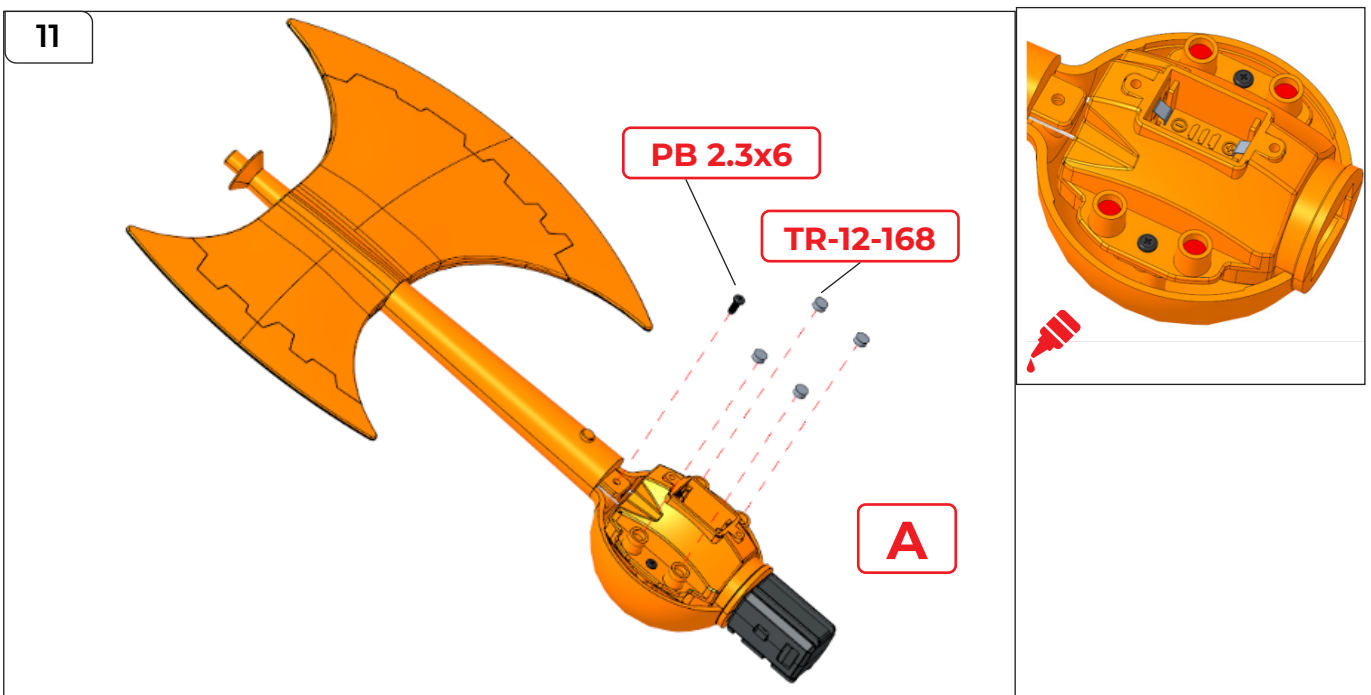
Secure TR-12-82 in place using 2x PB 2.3x6 mm screws, then secure TR-12-133 (from step 1) using 2x PWB 2x6 mm screws.

Assembling the Energon Axe



STEP 10

Fit parts TR-12-79 and then TR-12-85 to the assembly. You may wish to apply glue for extra strength. If you choose to do so, please test the electrics first (step 12) and then return to this step, applying a little glue to the areas shown.

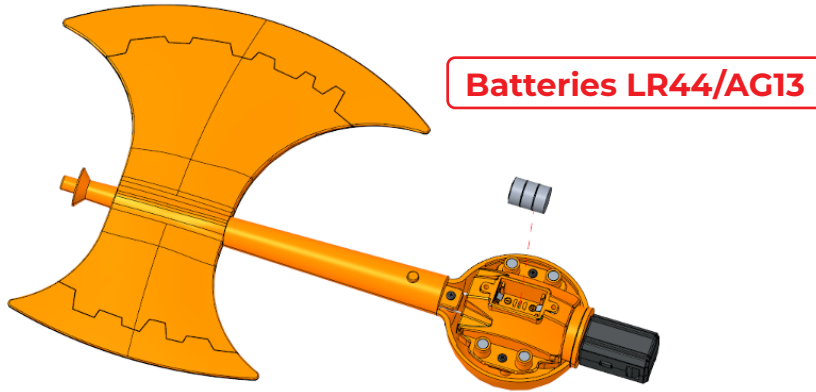


STEP 11

Secure the assembly using 1x PB 2.3x6 mm screw. Apply a little glue to the four recesses before fitting 4x TR-12-168.

Assembling the Energon Axe

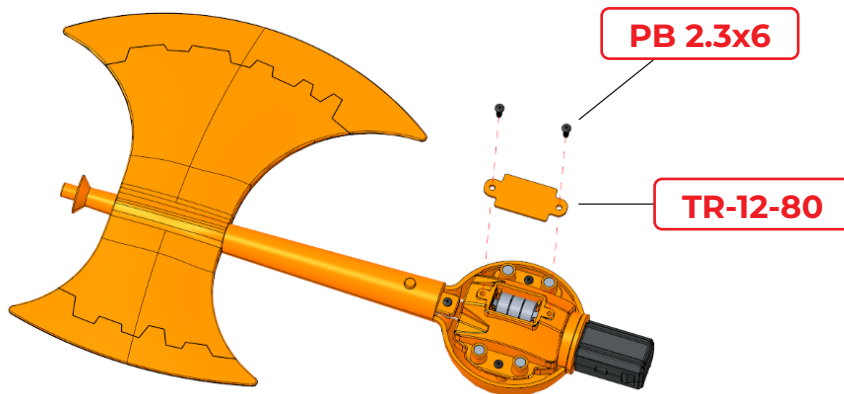
12



STEP 12

Install batteries into the battery compartment.

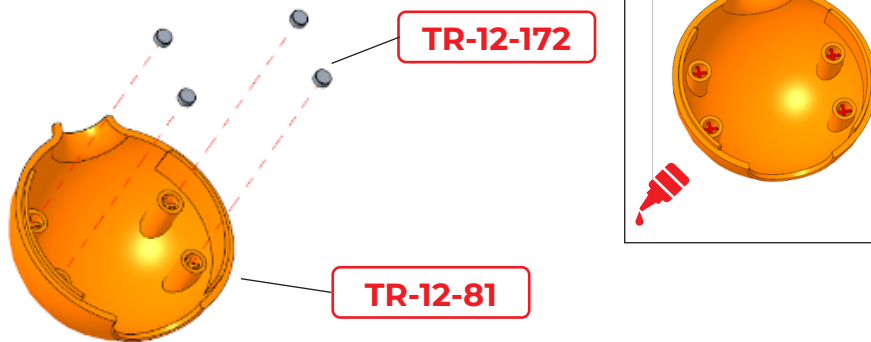
13



STEP 13

Fit the lid TR-12-80 to the battery compartment and secure it using 2x PB 2.3x6 mm screws.

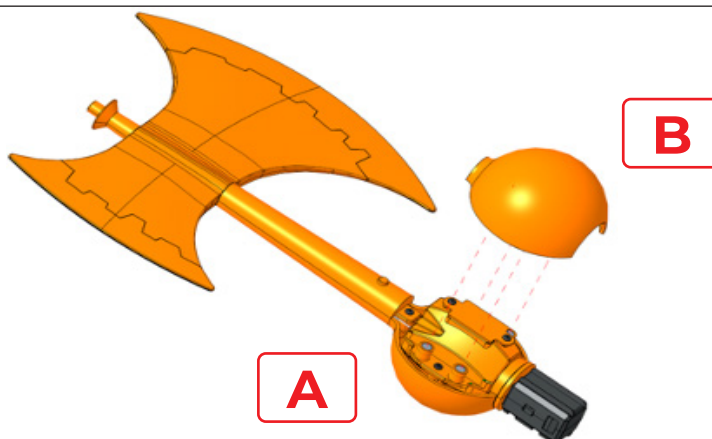
14



STEP 14

Apply a little glue to TR-12-81 before fitting 4x TR-12-172.

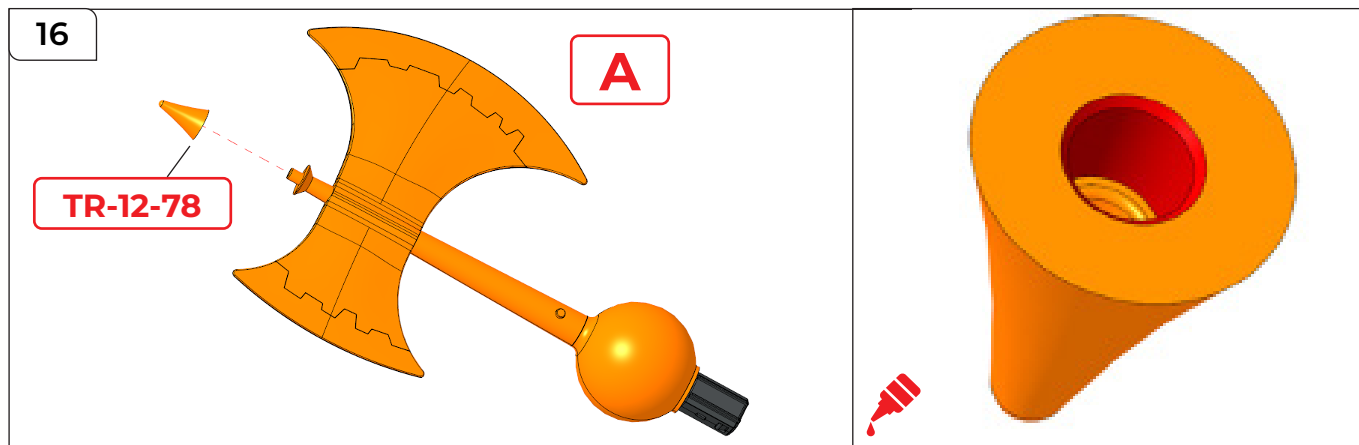
15



STEP 15

Fit assembly B to assembly A.

Assembling the Energon Axe



STEP 16

Finally, apply a little glue to TR-12-78 before fitting it to the end of the assembly.

Your Energon Axe is now complete!

ENERGON AXE COMPLETE

