

THE SPY WHO LOVED ME™

LOTUS
esprit



Pack 02

BUILD INSTRUCTIONS

STAGE 007: FITTING THE
SEAT BACKREST CUSHION

STAGE 008: FITTING THE
SEAT CUSHION AND
BACKREST

STAGE 009: FITTING THE
SEAT COVER

STAGE 010: ATTACHING THE
FIRST CARBURETTOR

STAGE 011: MOUNTING THE
CARBURETTORS AND INLET
MANIFOLD

STAGE 012: BUILDING THE
RIGHT GEARBOX

STAGE 013: BUILDING THE
LEFT GEARBOX

STAGE 014: ASSEMBLING
THE GEARBOX

STAGE 015: MOUNTING THE
BELL HOUSING

STAGE 016: FITTING THE
STARTER MOTOR AND BELL
HOUSING COVER

THE SPY WHO LOVED ME © Danjaq, LLC and Metro-Goldwyn-Mayer Studios Inc. THE SPY WHO LOVED ME, *007*™ and related James Bond Indicia © 1962-2024 Danjaq, LLC and Metro-Goldwyn-Mayer Studios Inc. THE SPY WHO LOVED ME, *007*™ and related James Bond Trademarks are trademarks of Danjaq, LLC. All Rights Reserved. Produced under licence from Group Lotus LTD. LOTUS, the Lotus Roundel, car names and all associated logos and distinctive designs are trade marks of Group Lotus LTD.

Advice from the experts

Spare screws are included with each part. Occasionally, you may be instructed to keep spare or unused screws for a later stage. Keep these spares in a safe place and label them correctly.

Please make sure you don't mix up the screws. They look quite similar, but the threads do vary slightly. Using the wrong screws may damage the parts.

When securing parts together using multiple screws, fit each screw loosely to ensure all the parts are correctly aligned before gently tightening them firmly, but not overtight, in the order in which you placed them.

The screwdriver can be magnetized by stroking it with a magnet (fridge magnet, etc.) enabling it to hold the screws and make assembly easier.

If a screw is tight going into a metal part, do not force it as you may shear the head off. Remove it and put a tiny smear of Vaseline, soap or light oil on the thread. That will lubricate it and make it easier to drive home.

During the course of this build, you will receive many pieces that you will assemble immediately – following the instructions in the corresponding stage – and other pieces that you should store safely to one side, for use in future assembly stages.

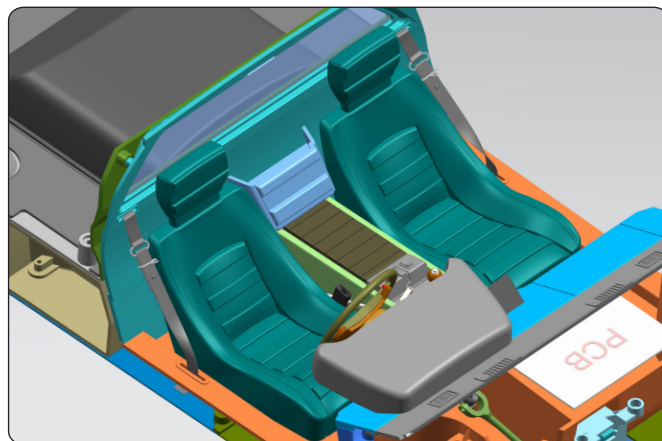
Left and Right! When building your *The Spy Who Loved Me* Lotus Esprit, the left- or right-hand side refers to that side as if you are sitting in the car.



WARNING: Some parts are assembled using magnets. These magnets can cause serious injury if they are swallowed. Keep away from children. If you suspect a magnet has been swallowed, seek medical help straight away.

Stage 007: Fitting the Seat Backrest Cushion

In this stage you'll start to build the first seat, beginning with the backrest and cushion.

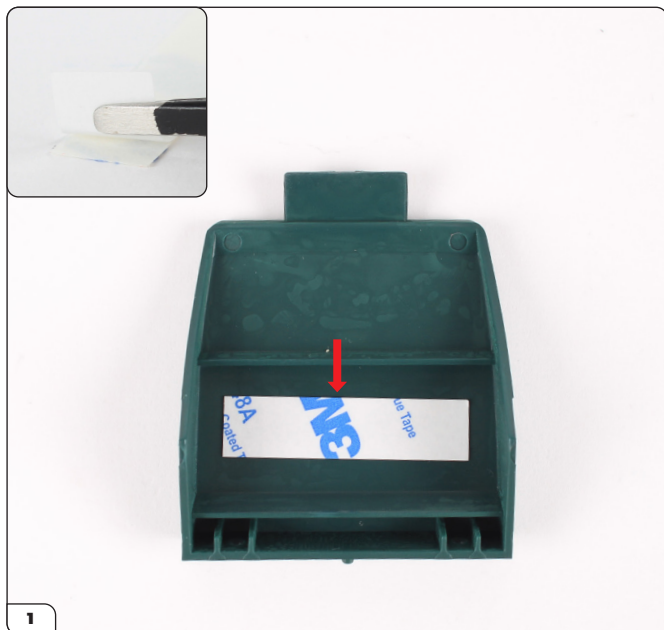


STAGE 007 PARTS LIST

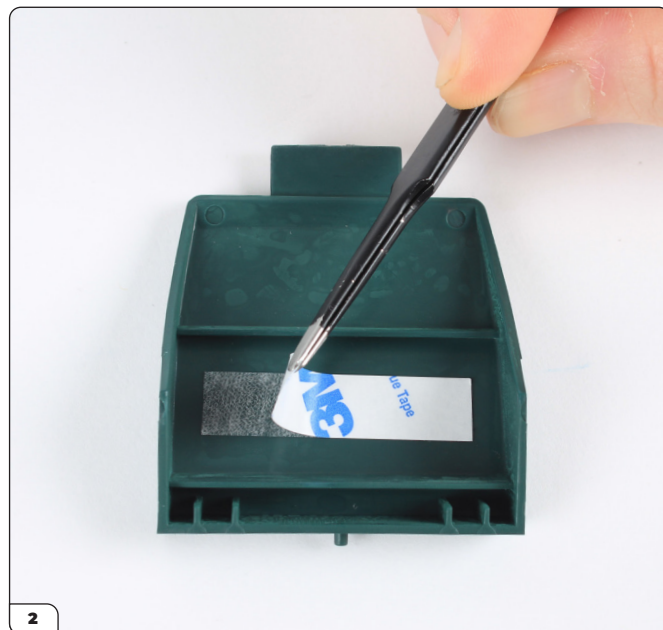
Name
7-A Seat backrest
7-B Seat backrest cushion
7-C Double-sided tape



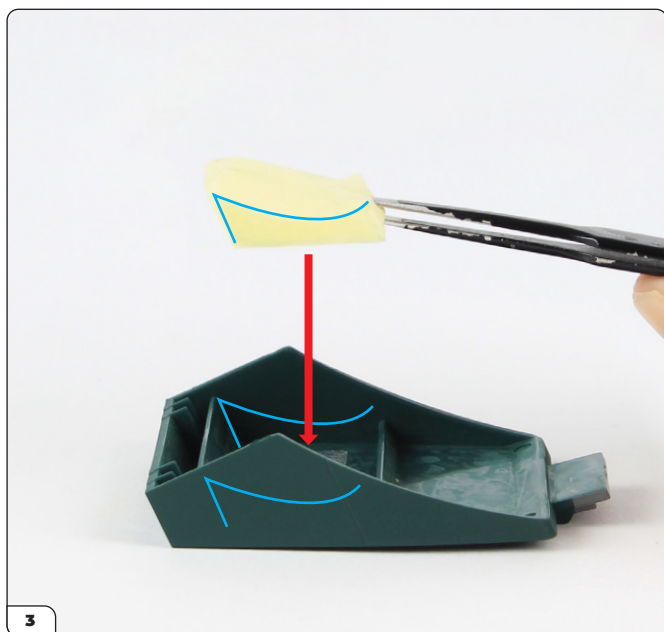
Stage 007: Fitting the Seat Backrest Cushion



Take the double-sided tape (7-C) and peel one side of the backing paper from it. Stick it onto the seat backrest (7-A) as shown.



Peel away the other side of the backing paper.



Align the seat backrest cushion (7-B) so that the shape matches the curve of the backrest.



Press the cushion firmly in place.

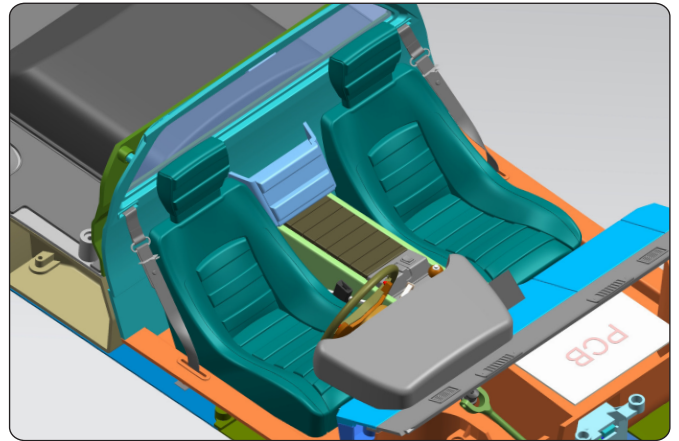
Stage 007: Fitting the Seat Backrest Cushion

STAGE COMPLETE



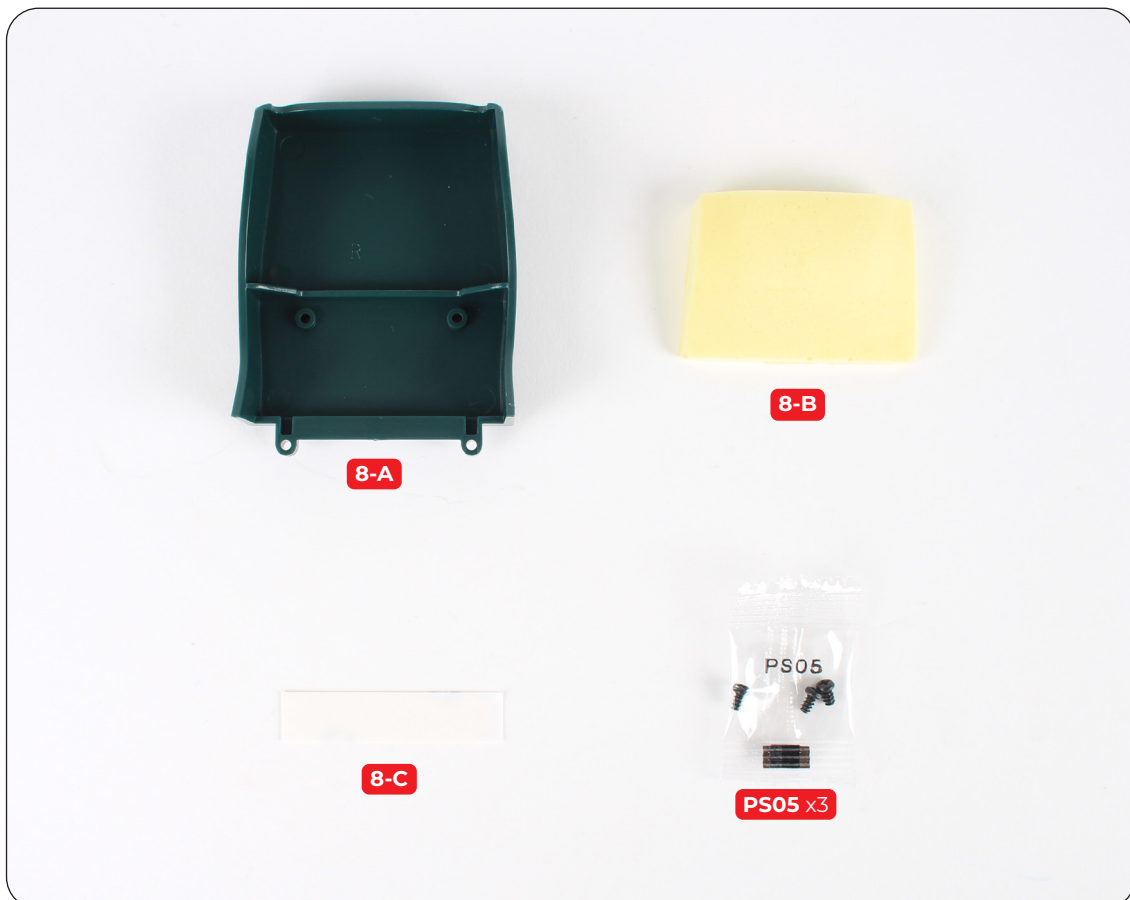
Stage 008: Fitting the Seat Cushion and Backrest

Continue to build the seat by fitting the cushion to the seat and attaching the backrest.



STAGE 008 PARTS LIST

Name
8-A Seat
8-B Seat cushion
8-C Double-sided tape
PS05 screws x3



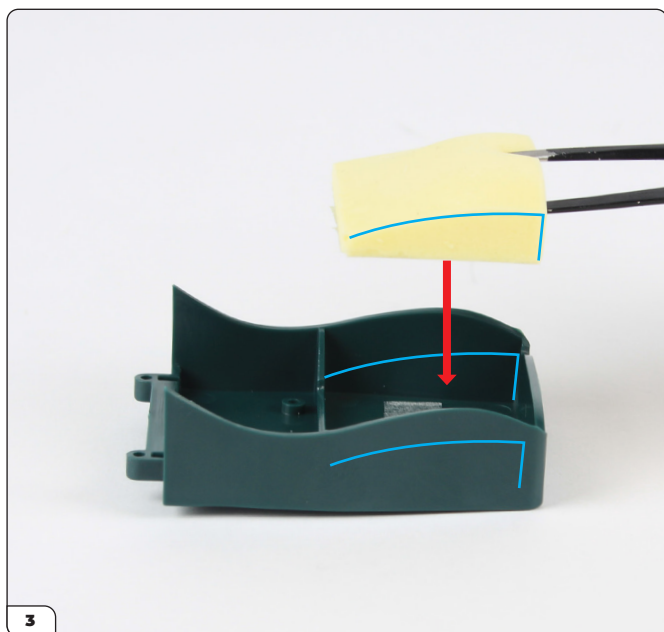
Stage 008: Fitting the Seat Cushion and Backrest



Take the double-sided tape (8-C), remove one side of the backing paper then stick it onto the seat (8-A).



Peel away the remaining backing paper.

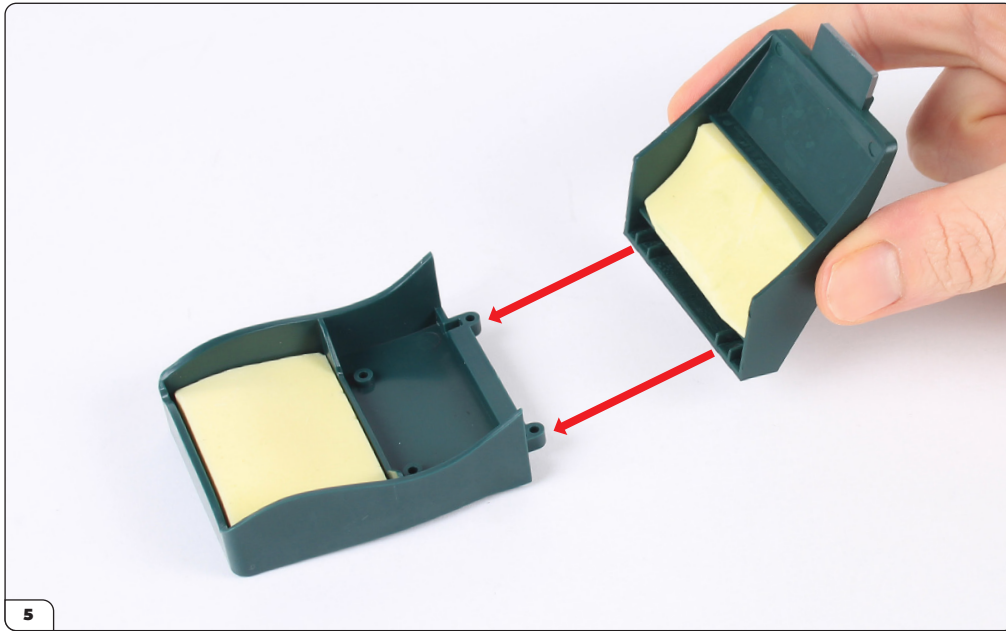


Align the seat cushion (8-B) so that the shape matches the curve of the seat.



Press the cushion firmly in place.

Stage 008: Fitting the Seat Cushion and Backrest



Align the backrest assembly (stage 007) with the seat as shown.



Fit the backrest then secure from underneath using 2x PS05 screws.

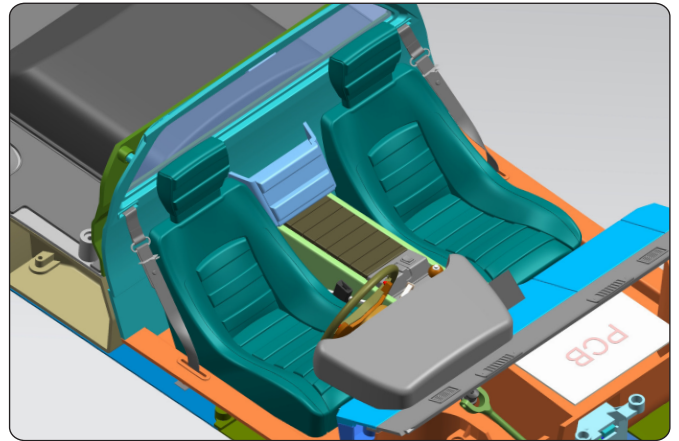
Stage 008: Fitting the Seat Cushion and Backrest

STAGE COMPLETE



Stage 009: Fitting the Seat Cover

In this stage you'll finish the first seat by fitting the cover in place.



STAGE 009 PARTS LIST

Name
9-A Seat cover



9-A

Stage 009: Fitting the Seat Cover



Align the seat cover (9-A) with the seat assembly (stage 008).



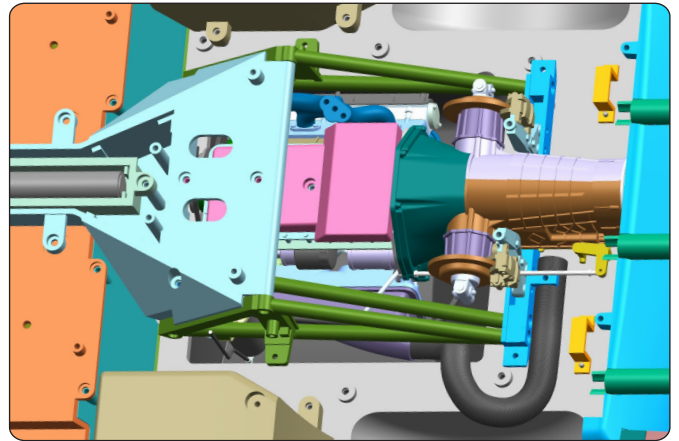
Fit the cover onto the seat.

STAGE COMPLETE



Stage 010: Attaching the First Carburettor

In this stage you'll build the rear carburettor and fit it to the inlet manifold.

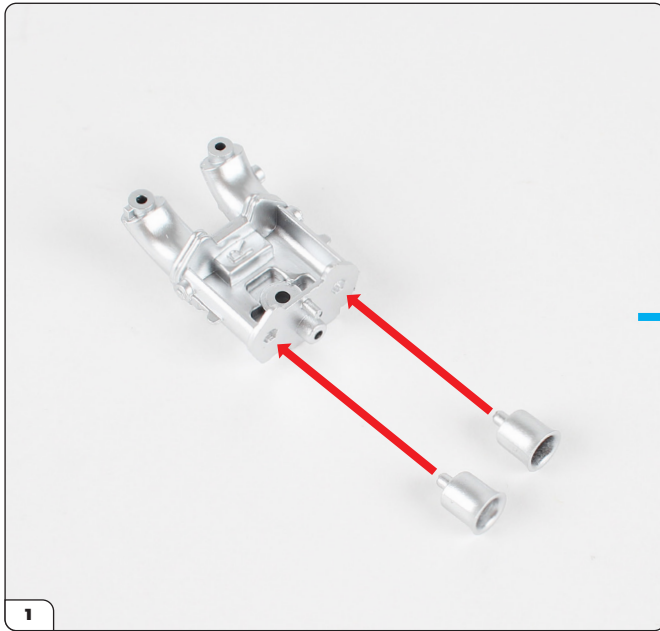


STAGE 010 PARTS LIST

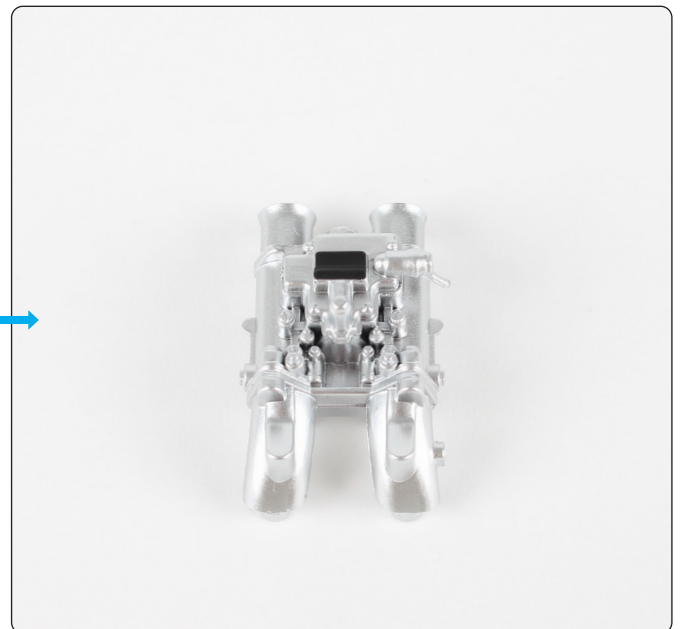
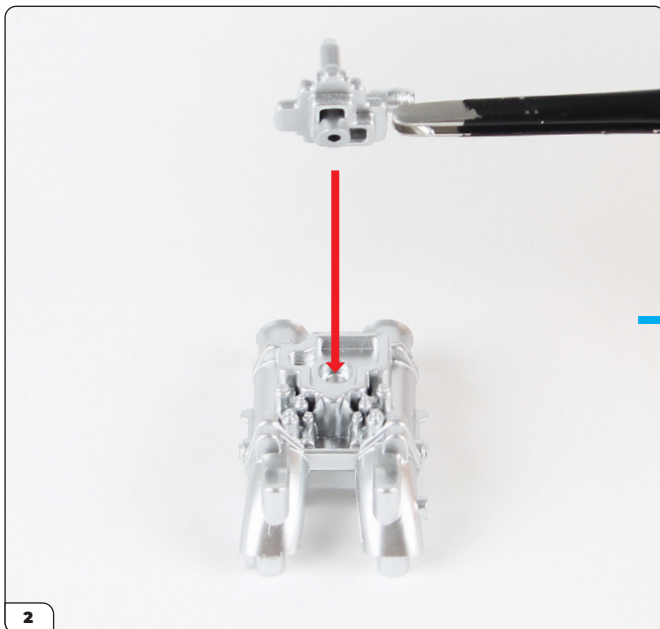
Name
10-A Carburettor body (rear)
10-B Inlet manifold
10-C Carburettor detail
10-D Velocity stack x2
PS01 screws x4



Stage 010: Attaching the First Carburettor

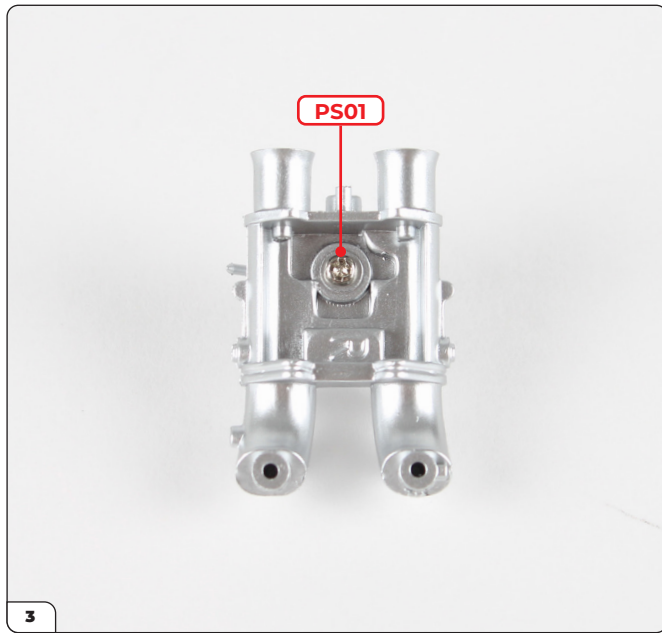


Take the velocity stacks (10-D) and press them into the hexagonal holes in the carburettor body (10-A) as shown.

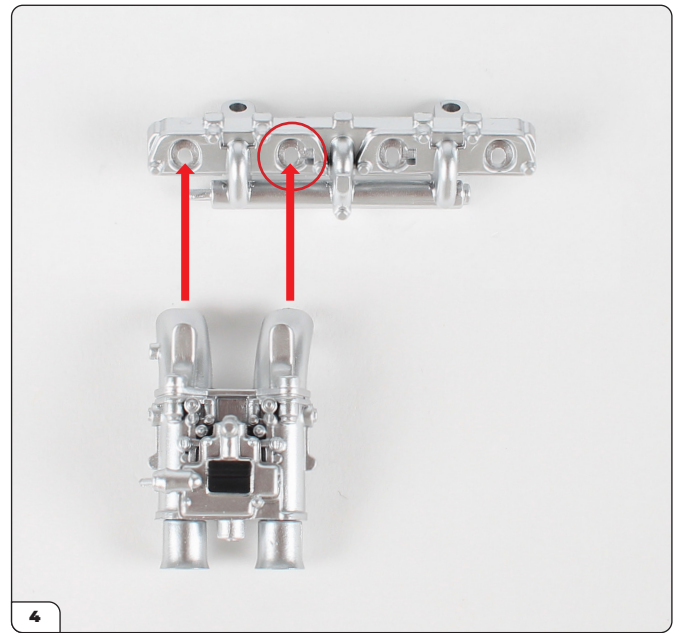


Fit the carburettor detail (10-C) into the carburettor, using the shaped recess as a guide.

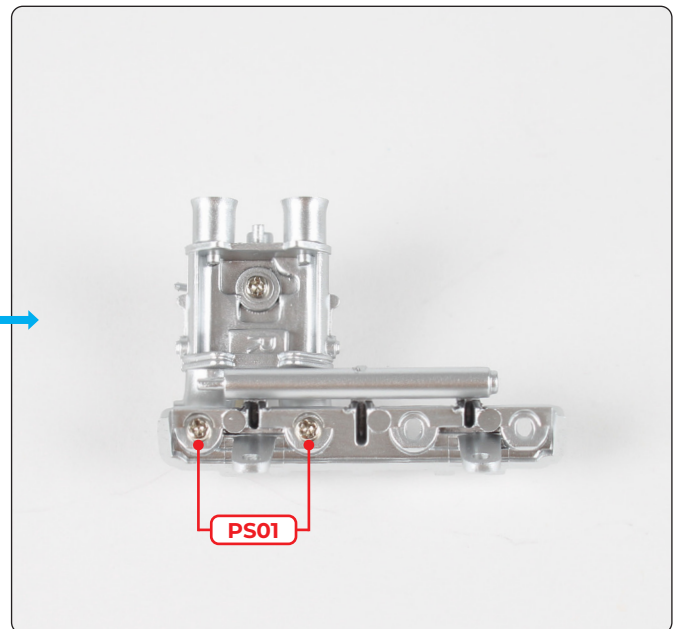
Stage 010: Attaching the First Carburettor



Secure from underneath with a PS01 screw.



Align the carburettor with the inlet manifold (10-B) as shown. The fittings are shaped to ensure the parts are positioned correctly (circled).



Fit the carburettor then secure it from underneath using 2x PS01 screws.

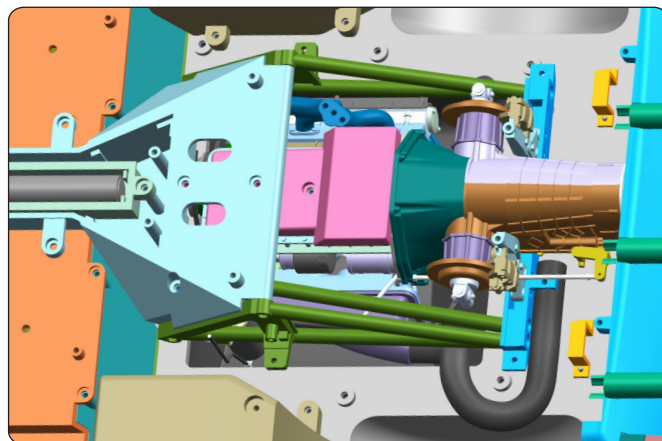
Stage 010: Attaching the First Carburettor

STAGE COMPLETE



Stage 011: Mounting the Carburettors and Inlet Manifold

In this stage you'll fit the front carburettor onto the inlet manifold then mount it onto the engine cylinder head assembly.

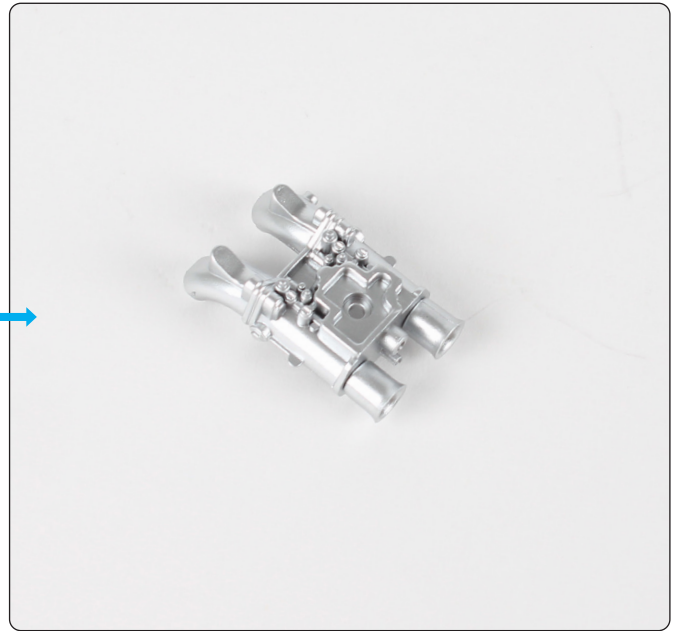
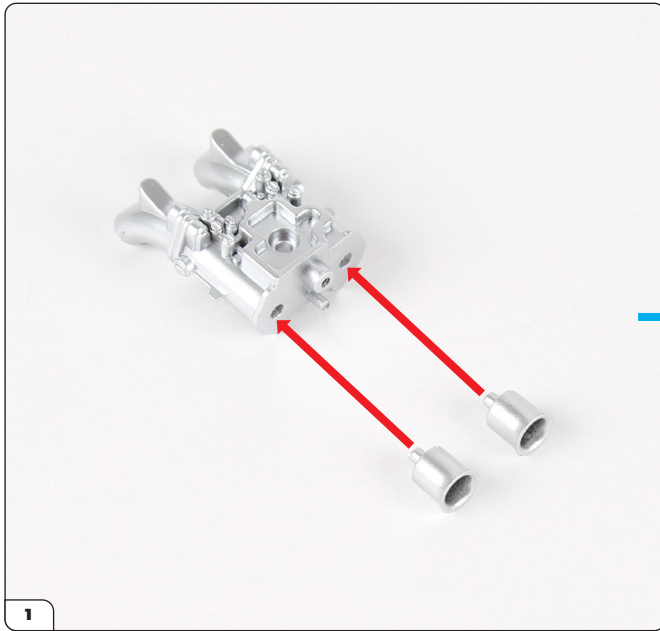


STAGE 011 PARTS LIST

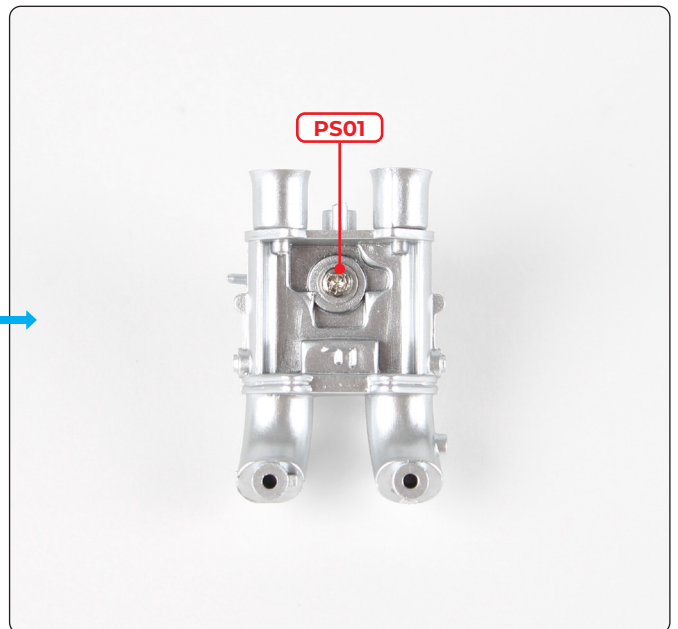
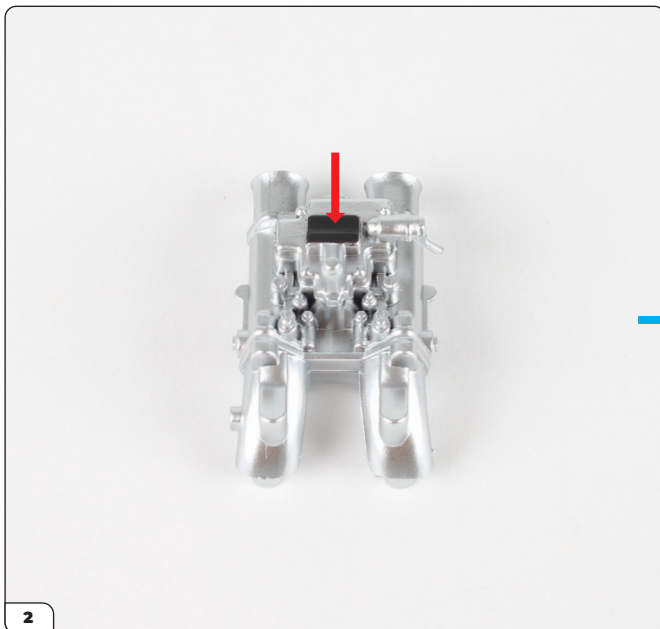
Name
11-A Carburettor body (front)
11-B Mount
11-C Carburettor detail
11-D Velocity stack x2
PS01 screws x4
PS02 screws x5



Stage 011: Mounting the Carburettors and Inlet Manifold

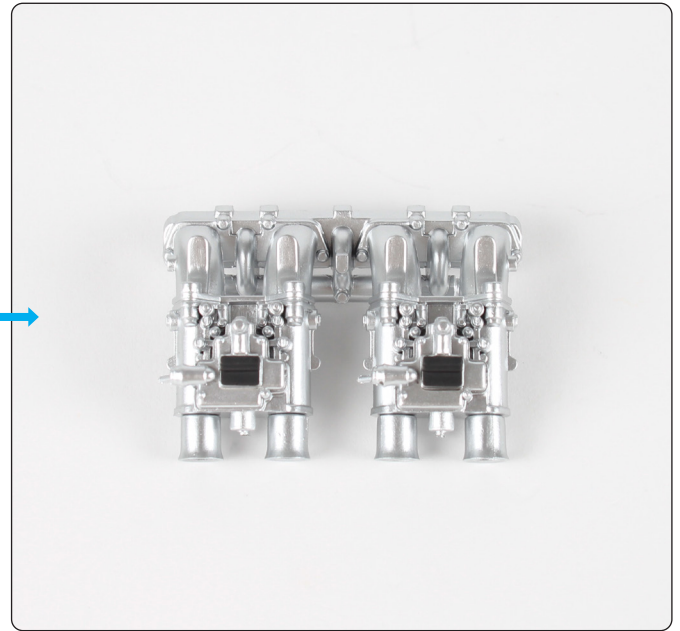
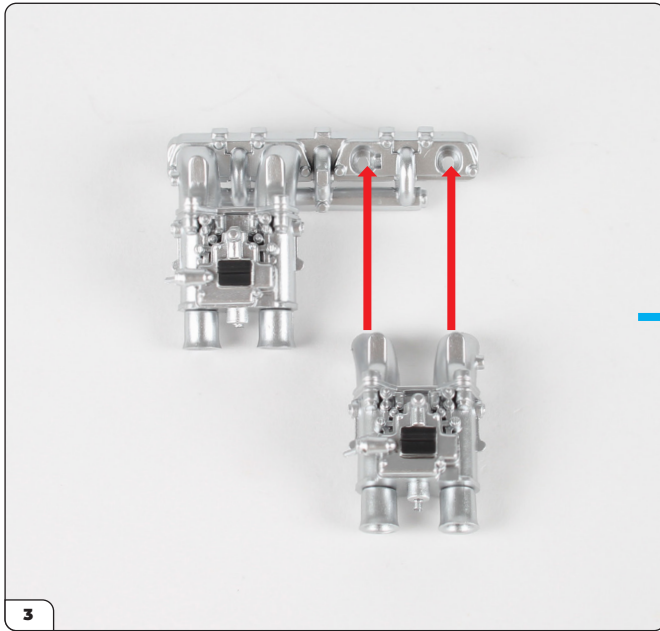


Press the velocity stacks (11-D) into the carburettor body (11-A).

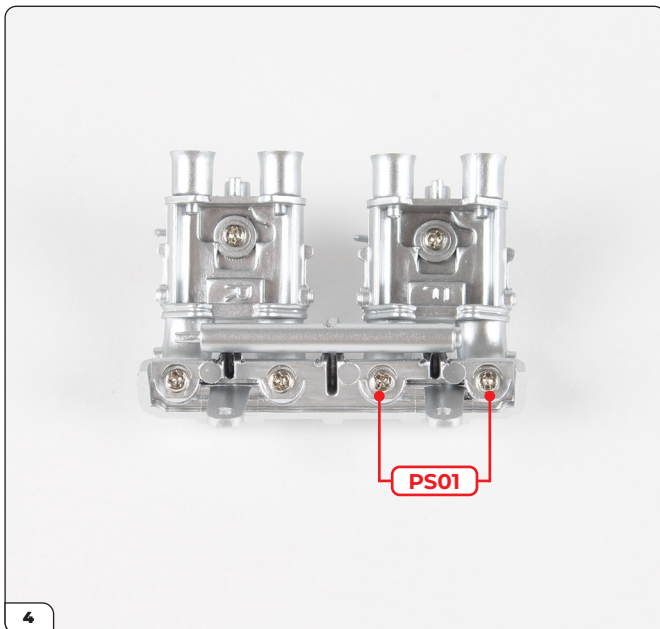


Fit the carburettor detail (11-C) in place and secure using a PS01 screw.

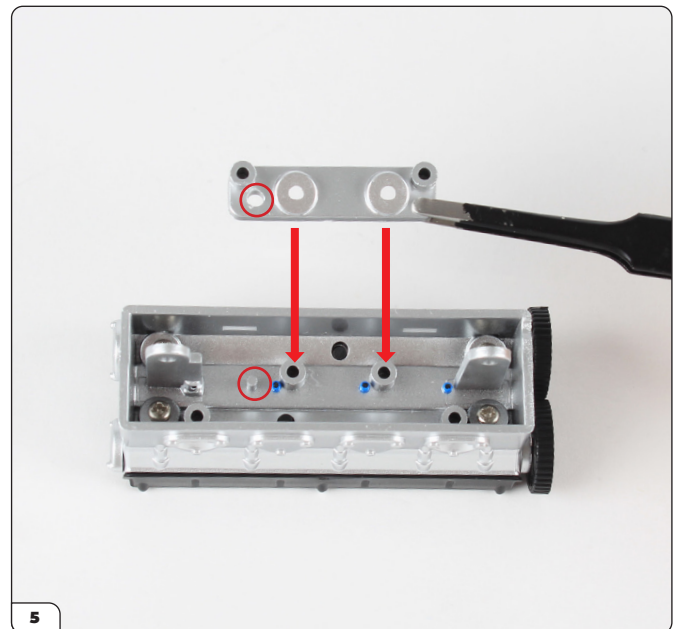
Stage 011: Mounting the Carburettors and Inlet Manifold



Fit the carburettor into the inlet manifold assembly (stage 010) as shown.



Secure from underneath using 2x PS01 screws.

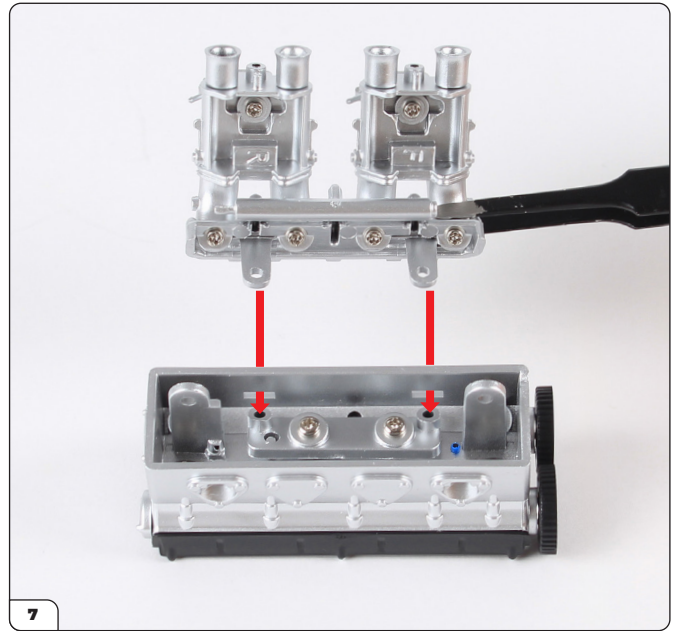


Take the mount (11-B) and align it with the engine cylinder head assembly (stage 003), using the pin and hole as a guide (circled).

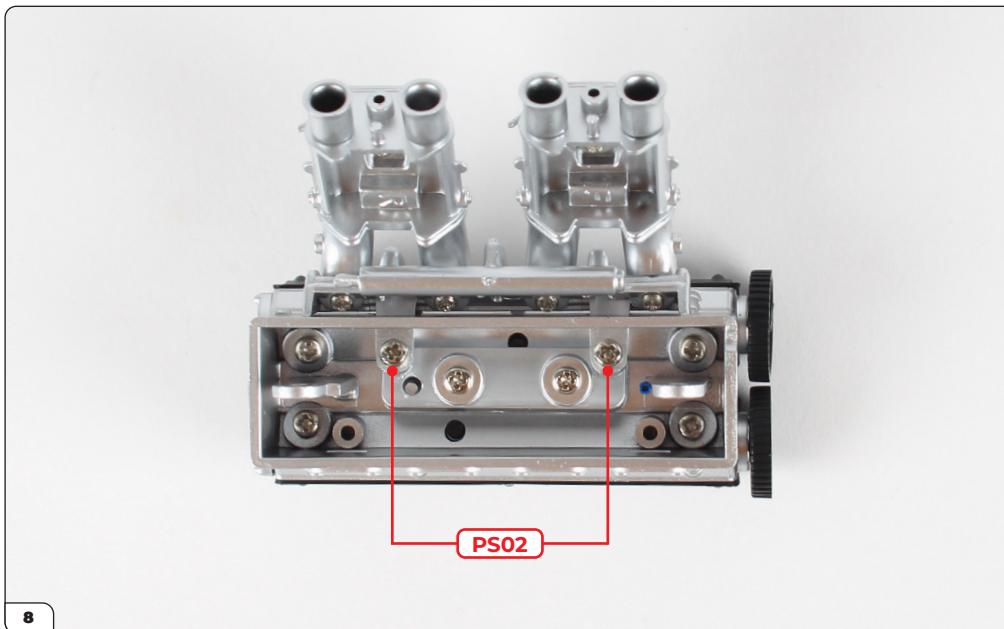
Stage 011: Mounting the Carburetors and Inlet Manifold



Fit the mount and secure with 2x PS02 screws.



Align the inlet manifold with the assembly as shown. The tabs fit through the openings and onto the mount.



Fit the inlet manifold and secure using 2x PS02 screws.

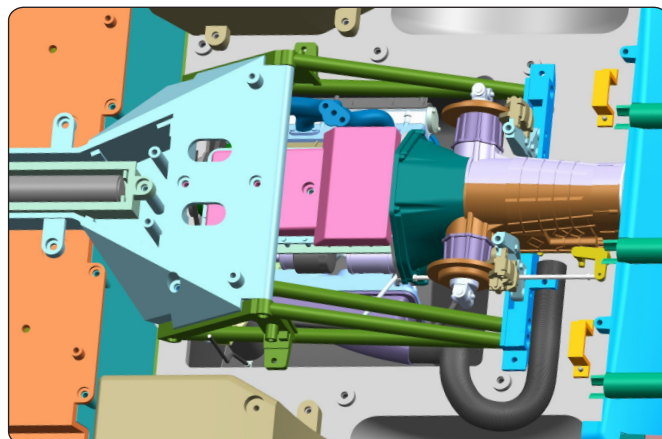
Stage 01: Mounting the Carburetors and Inlet Manifold

STAGE COMPLETE



Stage 012: Building the Right Gearbox

In this stage you'll start building the gearbox, starting with the right half.

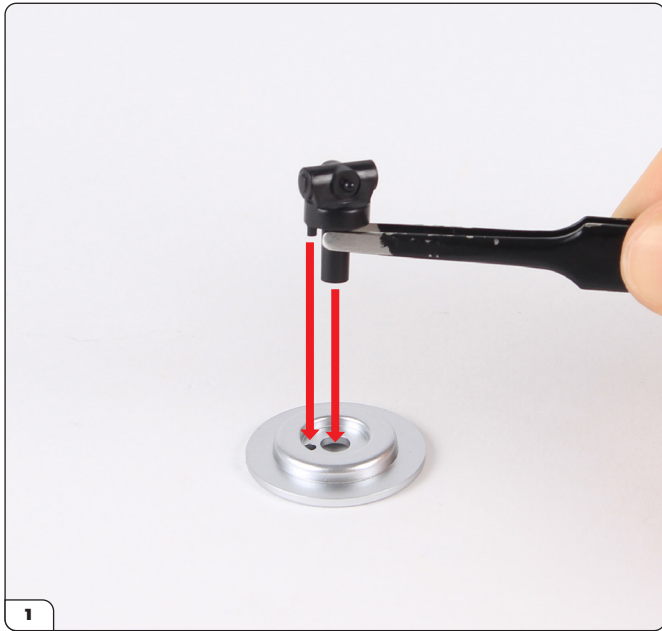


STAGE 012 PARTS LIST

Name
12-A Gearbox (right)
12-B Driveshaft housing
12-C Brake disc
12-D Driveshaft
PS01 screws x2
PS23 screws x2



Stage 012: Building the Right Gearbox



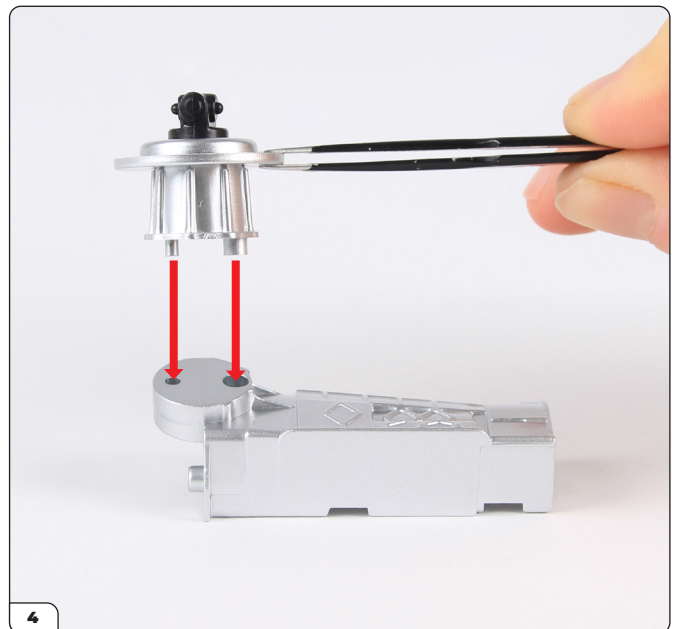
Fit the driveshaft (12-D) into the brake disc (12-C) using the pin to align it correctly.



Fit the driveshaft screw post into the driveshaft housing (12-B).

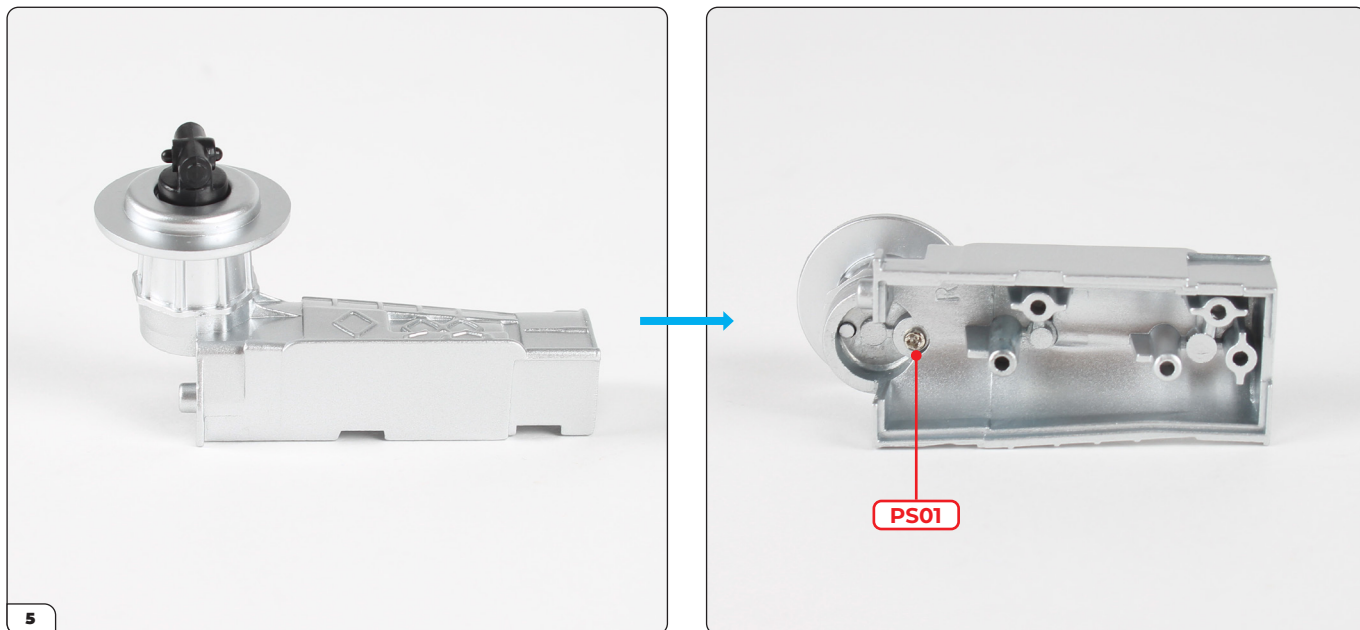


Secure from inside the driveshaft housing using a PS23 screw.



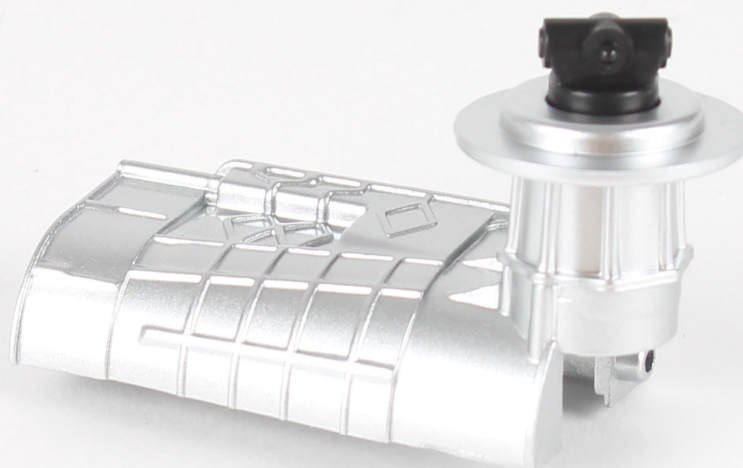
Take the right gearbox (12-A) and fit the screw posts on the driveshaft housing into the corresponding holes.

Stage 012: Building the Right Gearbox



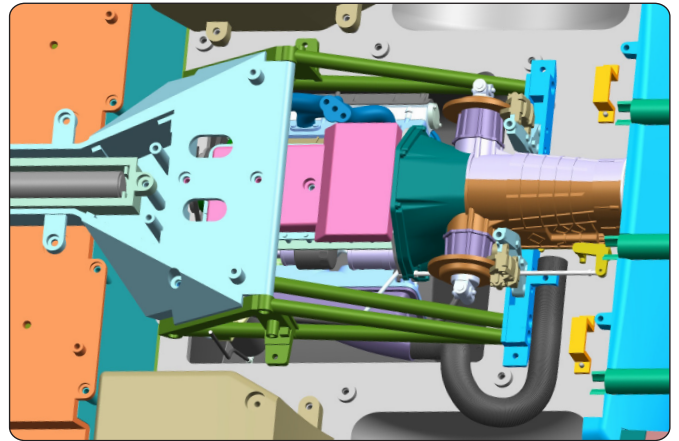
Secure the housing from inside the gearbox using a PS01 screw.

STAGE COMPLETE



Stage 013: Building the Left Gearbox

Next you'll build the left gearbox following the same steps as the previous stage.

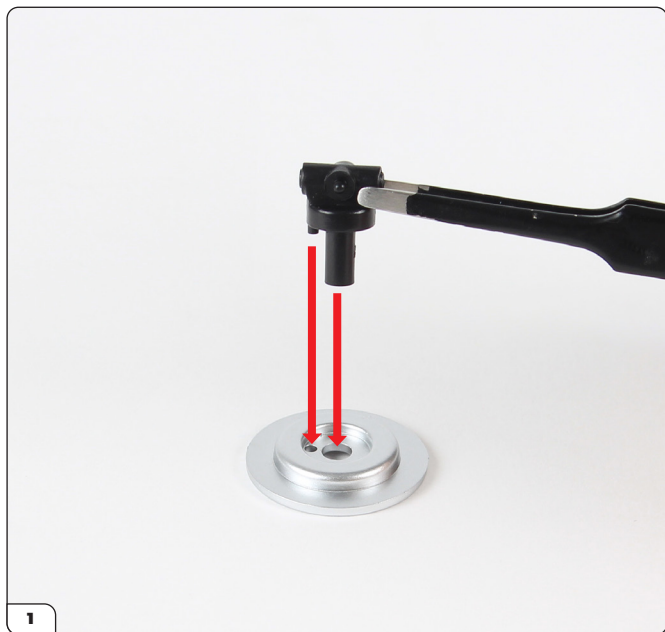


STAGE 013 PARTS LIST

Name
13-A Gearbox (left)
13-B Driveshaft housing
13-C Brake disc
13-D Driveshaft
PS01 screws x2
PS23 screws x2



Stage 013: Building the Left Gearbox



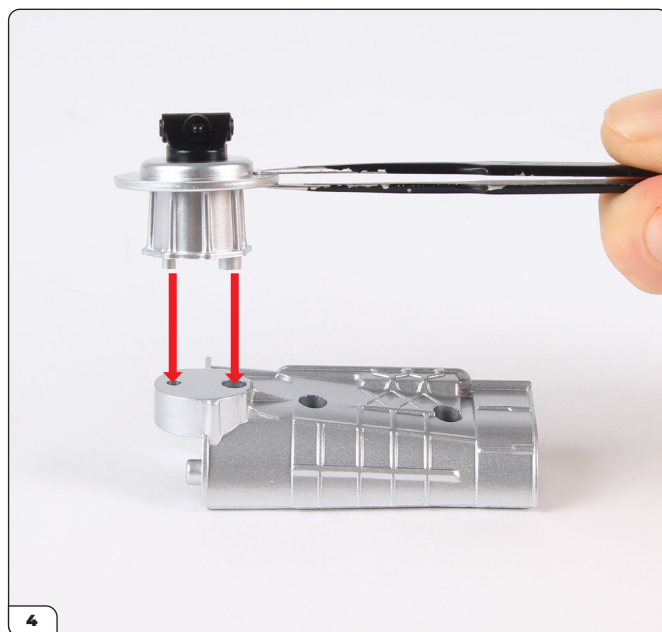
Fit the driveshaft (13-D) into the brake disc (13-C) using the pin to align it correctly.



Fit the driveshaft screw post into the driveshaft housing (13-B).

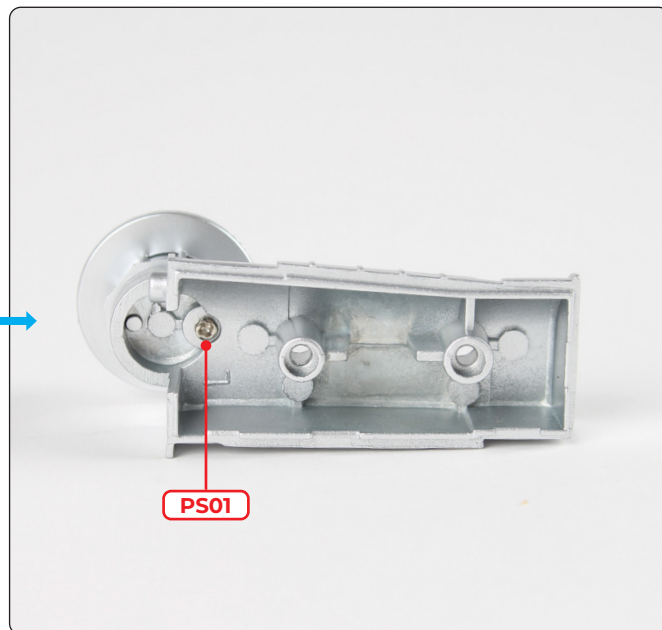


Secure from inside the driveshaft housing using a PS23 screw.



Take the left gearbox (13-A) and fit the screw posts on the driveshaft housing into the corresponding holes.

Stage 013: Building the Left Gearbox

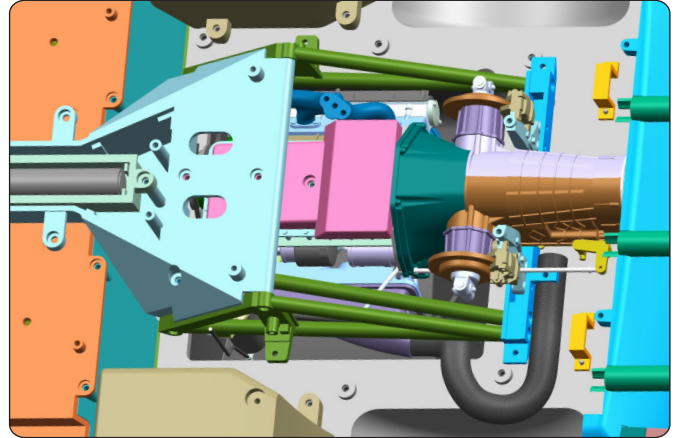


Secure the housing from inside the gearbox using a PS01 screw.



Stage 014: Assembling the Gearbox

In this stage you'll fit the gearbox cover and plate then fix the two parts of the gearbox together.



STAGE 014 PARTS LIST

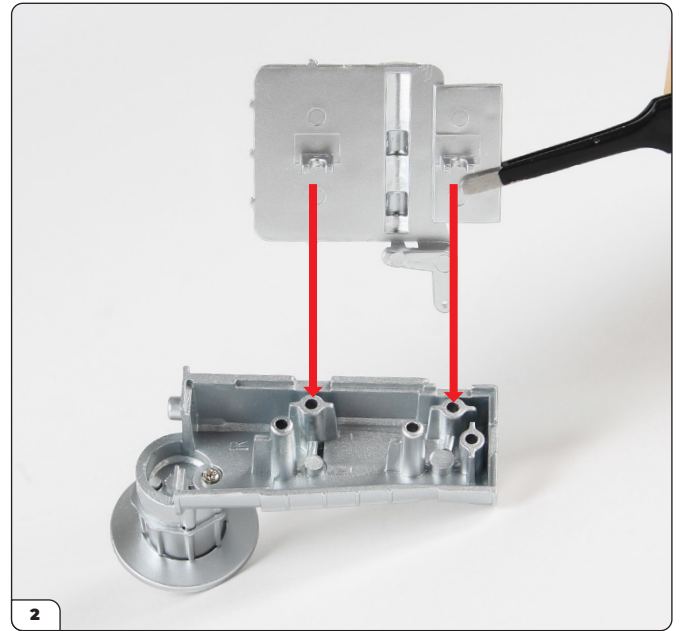
Name
14-A Gearbox cover
14-B Gearbox plate
DS01 screws x3
DS25 screws x4



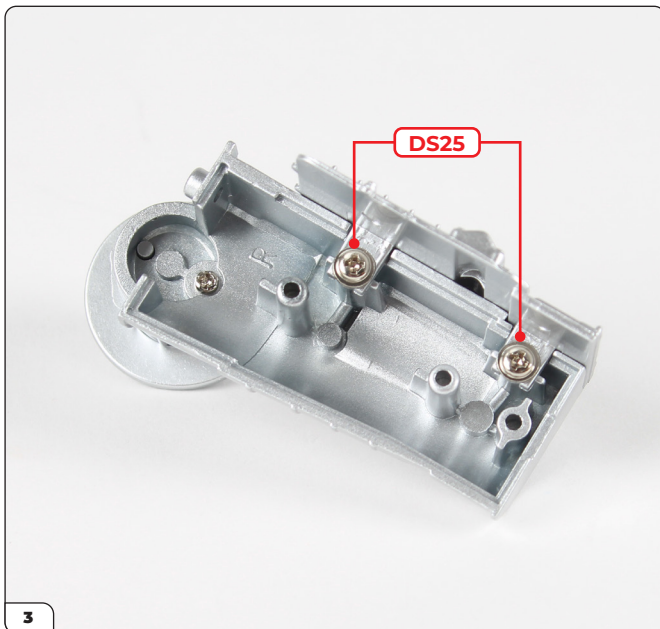
Stage 014: Assembling the Gearbox



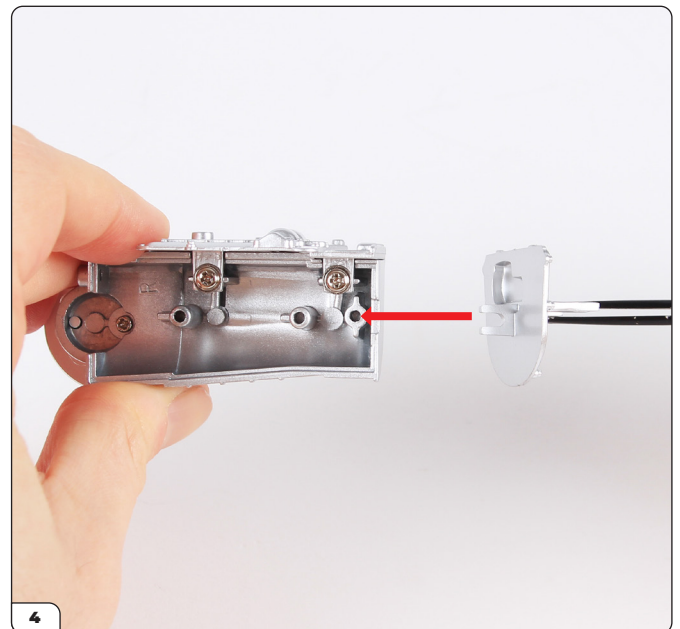
Take the left and right gearbox assemblies (stages 012 and 013) which are marked with 'L' and 'R' (circled).



Align the gearbox cover (14-A) with the right gearbox (marked 'R').

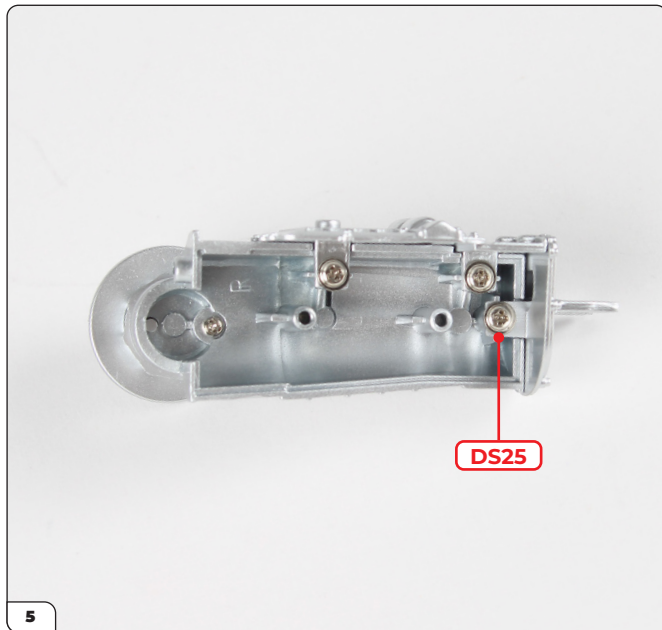


Fit the gearbox cover in place and secure using 2x DS25 screws.

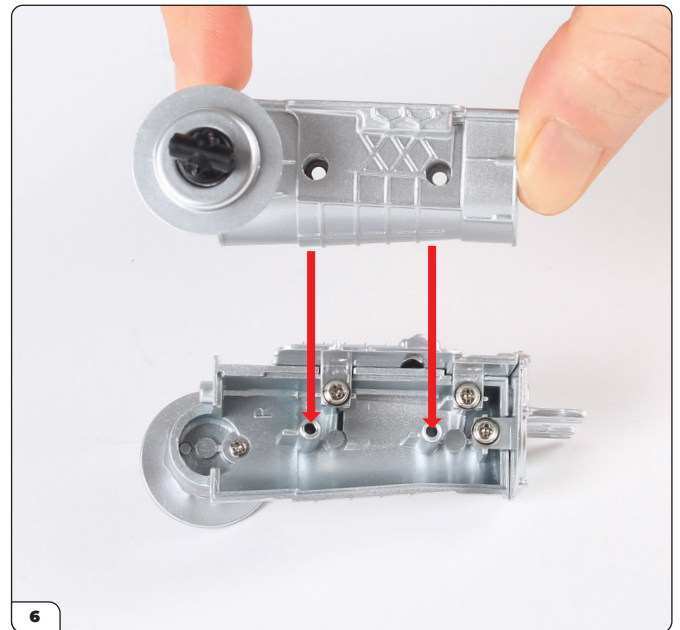


Fit the gearbox plate (14-B) onto the gearbox, making sure to align it as shown.

Stage 014: Assembling the Gearbox



Secure using a DS25 screw.



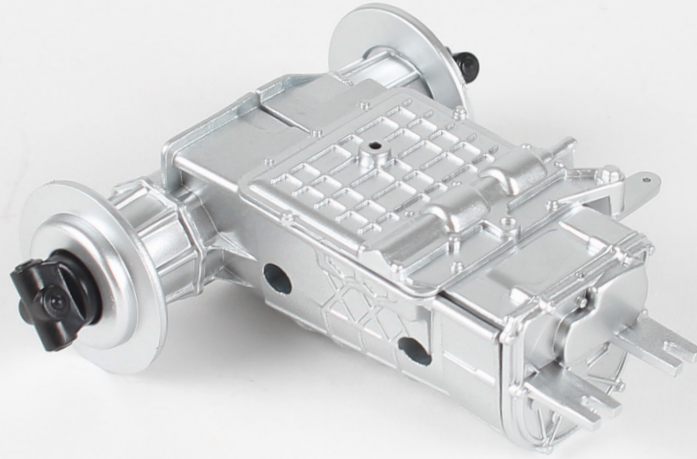
Align the left gearbox assembly (marked 'L') as shown.



Fit the two parts together and secure with 2x DS01 screws.

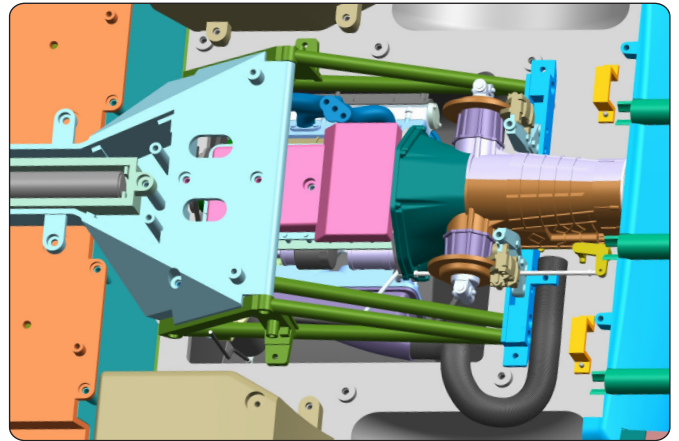
Stage 014: Assembling the Gearbox

STAGE COMPLETE



Stage 015: Mounting the Bell Housing

In this stage you'll fit the clutch cylinder to the bell housing then mount the parts onto the gearbox.



STAGE 015 PARTS LIST

Name
15-A Bell housing
15-B Clutch cylinder
DS01 screws x3
PS01 screws x2



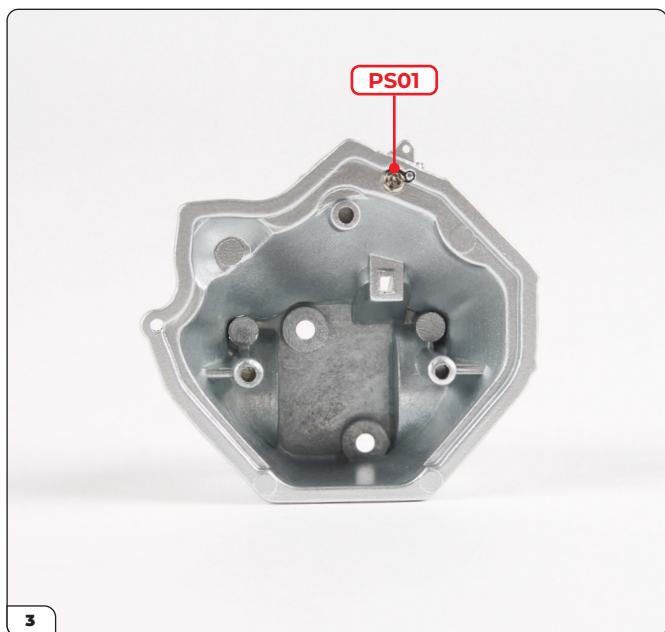
Stage 015: Mounting the Bell Housing



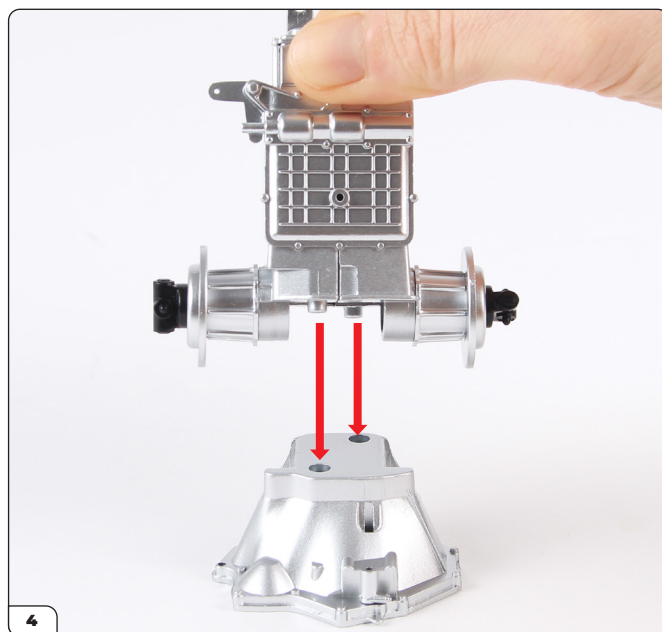
Take the bell housing (15-A) and align the clutch cylinder (15-B) as shown.



Fit the pin into the smaller hole.

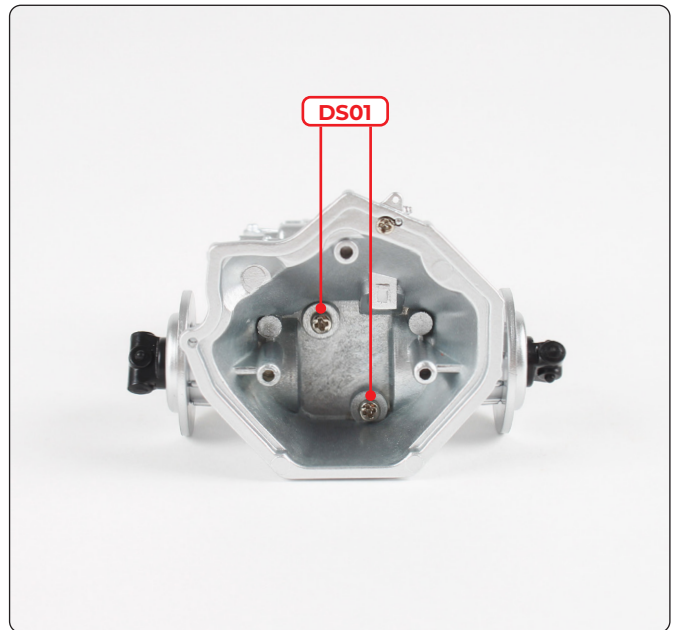
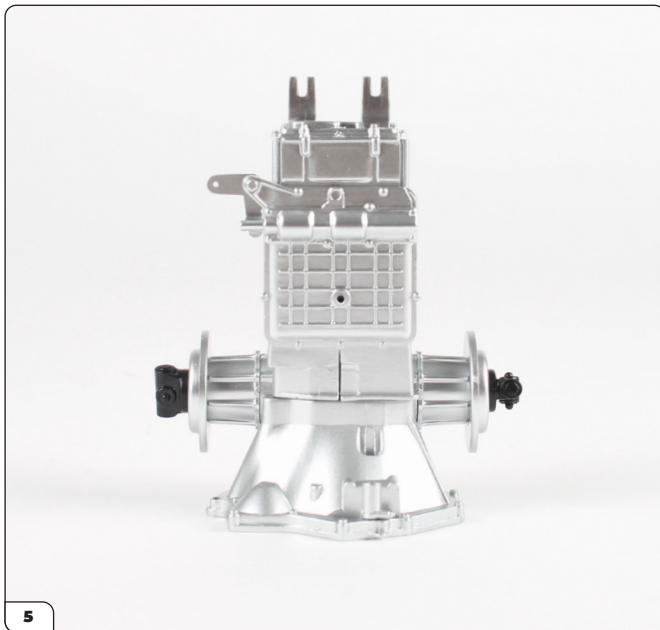


Secure with a PS01 screw.



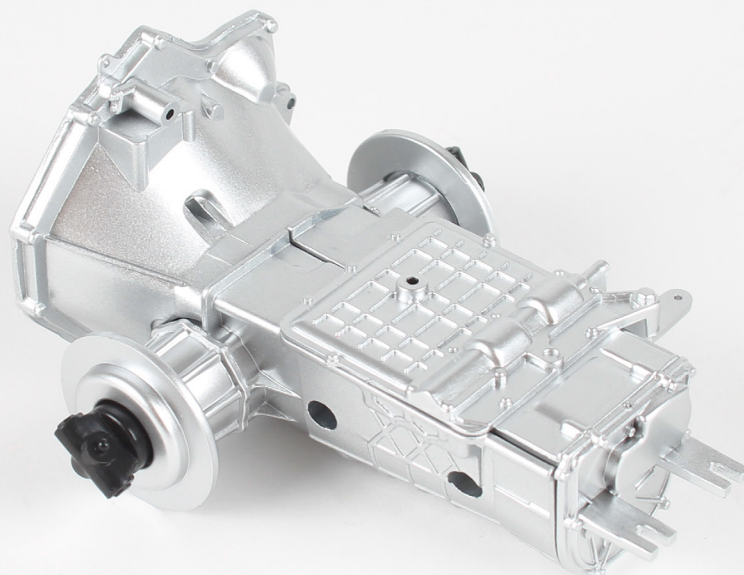
Take the gearbox assembly (stage 014) and align it with the bell housing.

Stage 015: Mounting the Bell Housing



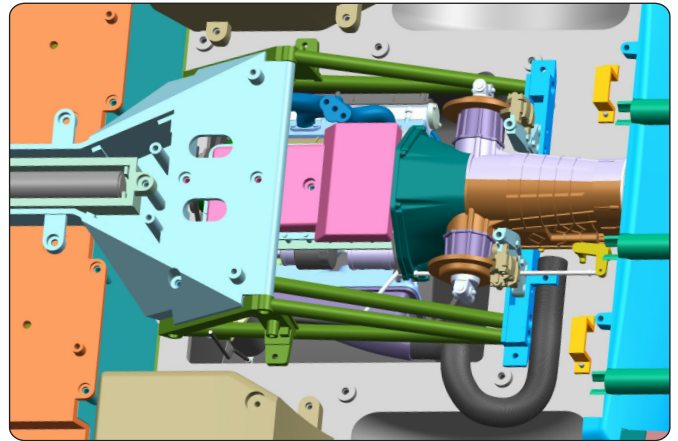
Fit the gearbox onto the bell housing then secure the parts together using 2x DS01 screws.

STAGE COMPLETE



Stage 016: Fitting the Starter Motor and Bell Housing Cover

You'll now fit the starter motor to the bell housing cover, then fix it onto the bell housing assembly.



STAGE 016 PARTS LIST

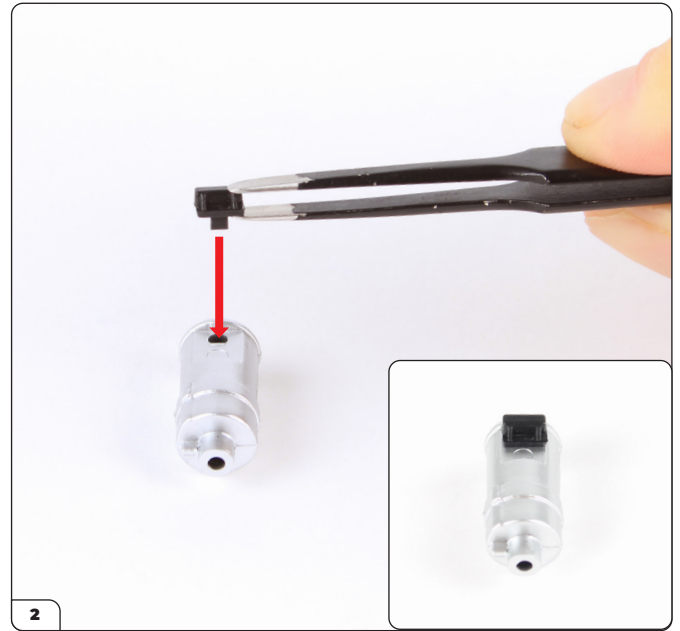
Name
16-A Bell housing cover
16-B Starter motor
16-C Starter motor detail
DS01 screws x4
PS02 screws x2



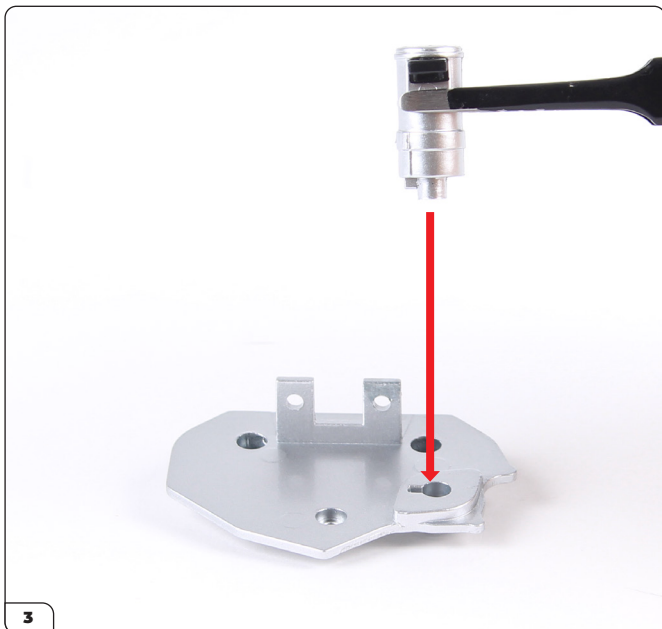
Stage 016: Fitting the Starter Motor and Bell Housing Cover



Take the starter motor (16-B) and detail (16-C). The parts have a shaped pin and hole (circled).



Fit the detail into the hole.

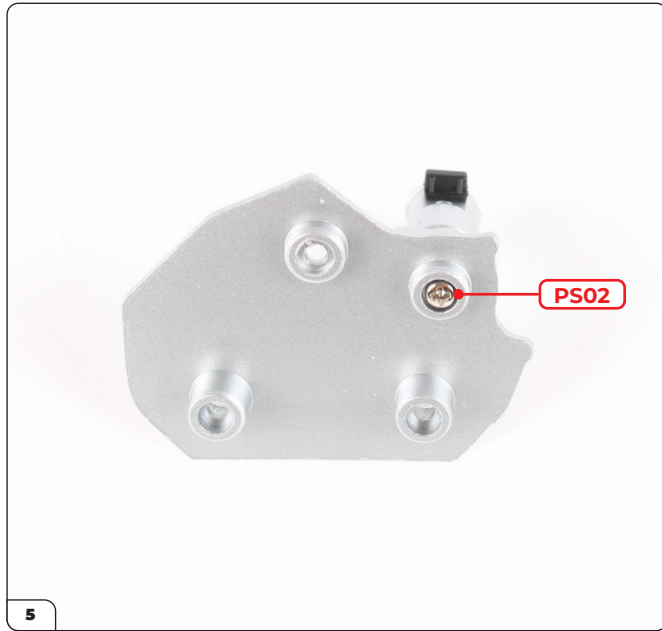


Align the starter motor with the bell housing cover (16-A), which has a shaped hole.

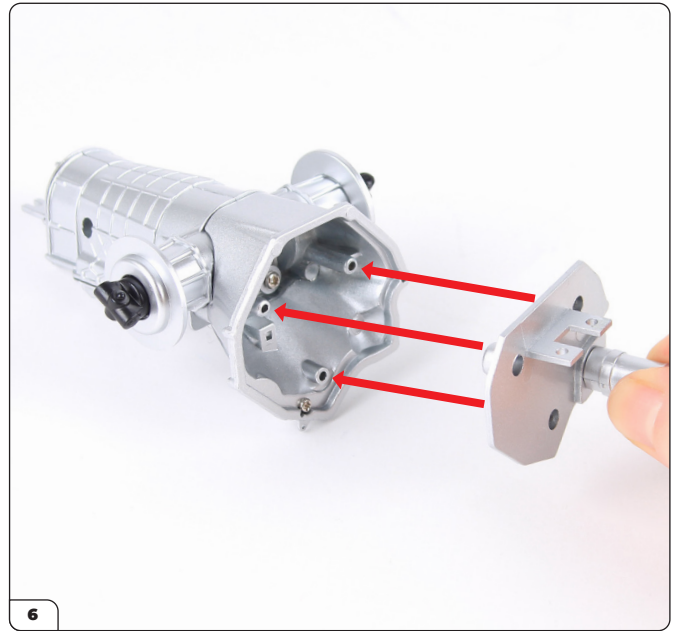


Fit the starter motor in place.

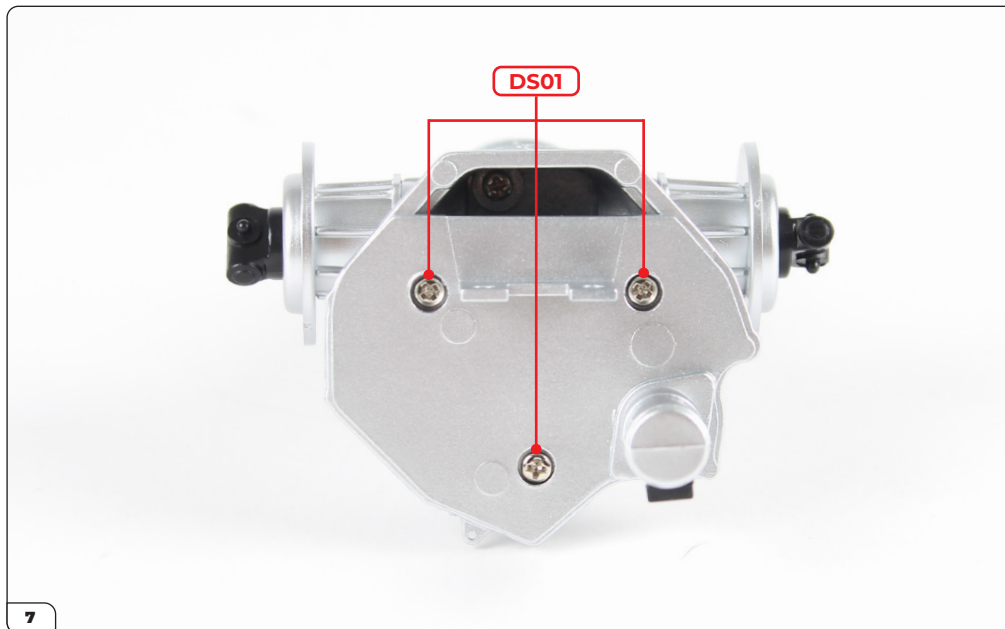
Stage 016: Fitting the Starter Motor and Bell Housing Cover



Secure with a PS02 screw.



Align the bell housing cover with the gearbox assembly (stage 015).



Fit the bell housing cover then secure using 3x DS01 screws.

Stage 016: Fitting the Starter Motor and Bell Housing Cover

STAGE COMPLETE

