

1955

MERCEDES-BENZ


300 SL

GULLWING



Pack 11

BUILD INSTRUCTIONS

"MERCEDES-BENZ" and  are the intellectual property of Mercedes-Benz Group AG.
They are used by Agora Models under license.

AGORA
MODELS

Pack 11

BUILD INSTRUCTIONS

**STAGE 74:
INSTALLING THE TRUNK LID**

**STAGE 75:
THE AIR VENT GRILLE, WIPERS, AND SIDE MIRROR**

**STAGE 76:
THE FENDER GRILLES AND TRIM**

**STAGE 77:
THE FRONT FENDER MOLDINGS**

**STAGE 78:
THE REAR FENDER MOLDINGS**

**STAGE 79:
THE TRUNK WALL**

**STAGE 80:
THE TRUNK FLOOR**

**STAGE 81:
THE TRUNK FLOOR CARPET**

**STAGE 82:
THE TRUNK FLOOR ACCESSORIES**

**STAGE 83:
THE SPARE WHEEL RIM**

**STAGE 84:
THE SPARE TIRE**

**STAGE 85:
THE FRONT LEFT ENGINE BAY LINER**


**STAGE 86:
THE FRONT LEFT WHEEL ARCH LINER**

**STAGE 87:
THE FRONT RIGHT ENGINE BAY LINER**

**STAGE 88:
THE FRONT RIGHT WHEEL ARCH LINER**

**STAGE 89:
THE REAR LEFT WHEEL ARCH LINER**

**STAGE 90:
THE REAR RIGHT WHEEL ARCH LINER**

"MERCEDES-BENZ" and  are the intellectual property of Mercedes-Benz Group AG.
They are used by Agora Models under license.

Advice from the experts

Spare screws are included with each part. Occasionally, you may be instructed to keep spare or unused screws for a later stage. Keep these spares in a safe place and label them correctly.

Please make sure you don't mix up the screws. They look quite similar, but the threads do vary slightly. Using the wrong screws may damage the parts.

When securing parts together using multiple screws, fit each screw loosely to ensure all the parts are correctly aligned before gently tightening them firmly, but not overtight, in the order in which you placed them.

The screwdriver can be magnetized by stroking it with a magnet (fridge magnet, etc.) enabling it to hold the screws and make assembly easier.

If a screw is tight going into a metal part, do not force it as you may shear the head off. Remove it and put a tiny smear of Vaseline, soap or light oil on the thread. That will lubricate it and make it easier to drive home.

During the course of this build, you will receive many pieces that you will assemble immediately – following the instructions in the corresponding stage – and other pieces that you should store safely to one side, for use in future assembly stages.

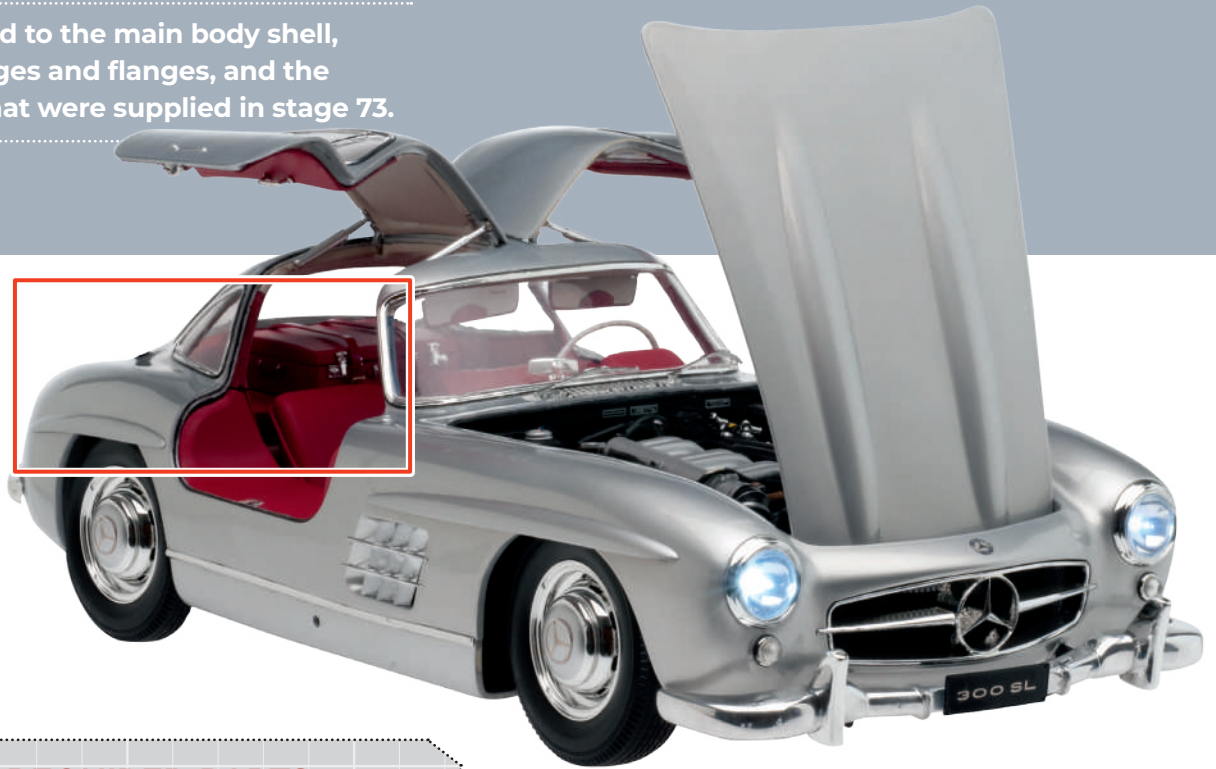
Left and Right! When building your Mercedes-Benz 300SL, the left or right hand side refers to each side as you are sitting in the car.



WARNING: Some parts are assembled using magnets. These magnets can cause serious injury if they are swallowed. Keep away from children. If you suspect a magnet has been swallowed, seek medical help straight away.

■ **STAGE 74: INSTALLING THE TRUNK LID**

Fit the trunk lid to the main body shell, using two hinges and flanges, and the support rod that were supplied in stage 73.



STAGE 74 - REQUIRED PARTS

Code	Name	Quantity	Material
74A	Trunk lid and lock	1	Zinc and ABS
BM	Screws 1.7 x 4mm	2 + 1*	Iron
MM	Screws 2.3 x 4mm	4 + 2*	Iron

* Replacement screws included



01 FITTING THE TRUNK SUPPORT ROD BRACKET

Align the hole in the trunk support rod bracket **73E** – supplied in stage 73 – with the screw socket on the front left underside of the trunk lid **74A**, ensuring that the pin fits into the smaller of the two holes. Fix in place with a **BM** screw.

73E Trunk support rod bracket



74A Trunk lid

02 FITTING THE TRUNK SUPPORT ROD CLIP

Align the hole in the trunk support rod clip **73F** with the screw socket on the rear left underside of the trunk lid **74A**, ensuring that clip jaws are on the outer edge. Fix in place with a **BM** screw.

73F Trunk support rod clip



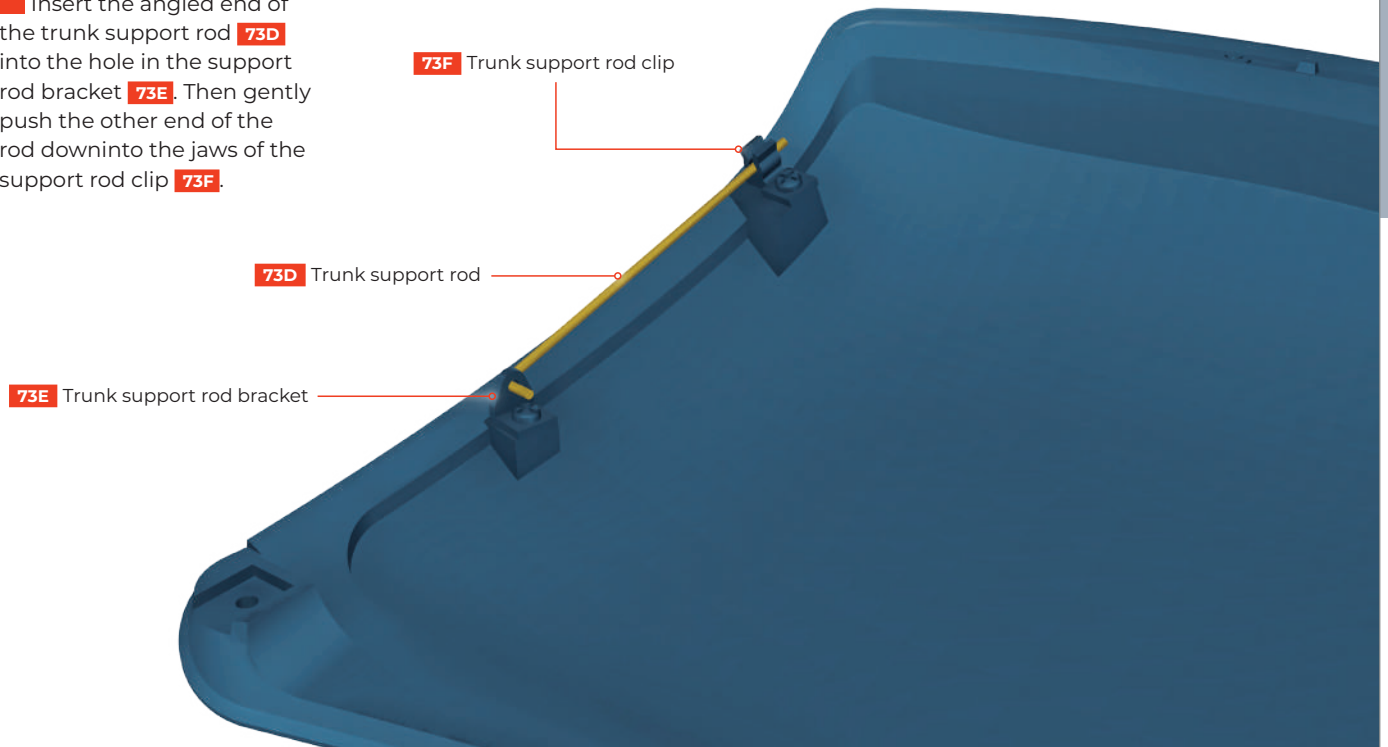
74A Trunk lid

The “left” and “right” sides of the model are as viewed from ABOVE, looking FORWARDS as if seated in the driving position. Therefore, when working with the assembly upside down, remember to think in reverse.

STAGE 74: INSTALLING THE TRUNK LID

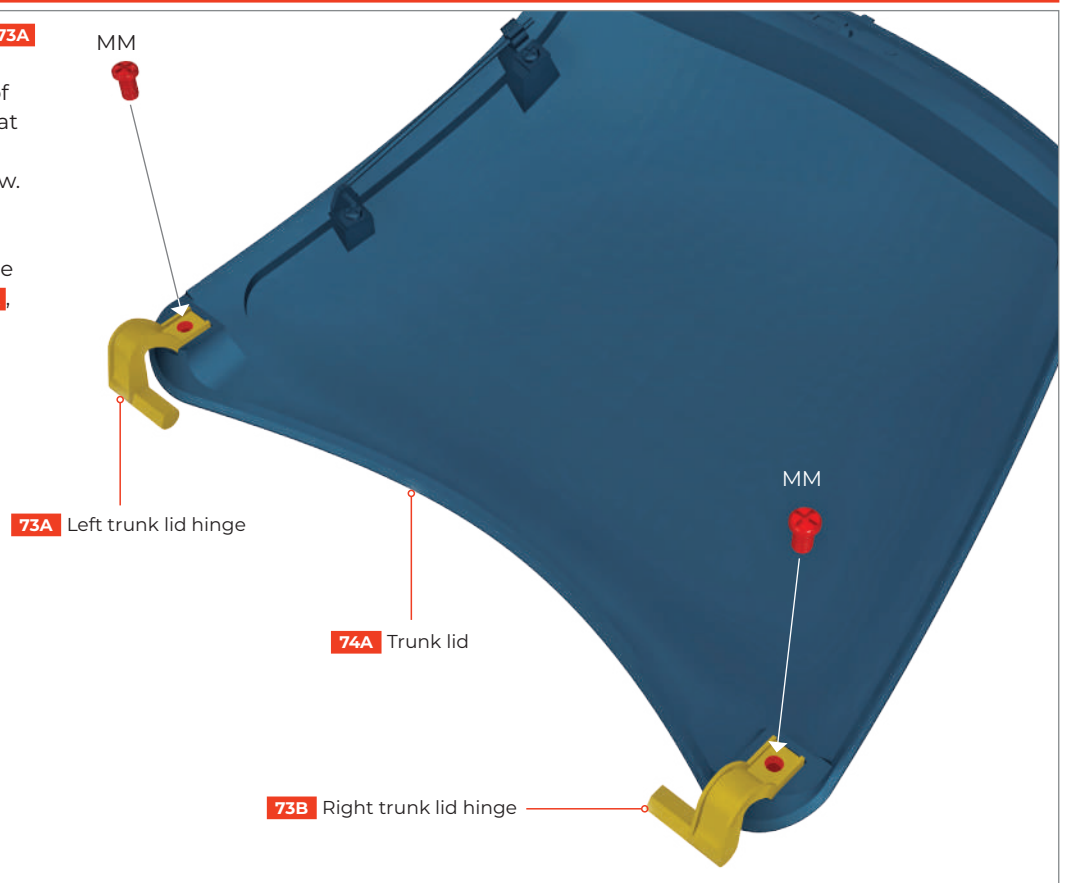
03 FITTING THE TRUNK SUPPORT ROD

Insert the angled end of the trunk support rod **73D** into the hole in the support rod bracket **73E**. Then gently push the other end of the rod down into the jaws of the support rod clip **73F**.



04 FITTING THE TRUNK LID HINGES

Fit the left trunk lid hinge **73A** – marked with an L – over the screw socket at the front left of the trunk lid **74A**, ensuring that the hinge pin points inwards. Fix it in place with an **MM** screw. Then fit the right trunk lid hinge **73B** – marked with an R – over the screw socket at the front right of the trunk lid **74A**, ensuring that the hinge pin points inwards. Fix it in place with an **MM** screw.



05 FITTING THE HINGE FLANGES

Take the previously assembled main body shell **56A** and lay it upside down on a soft cloth. Align the trunk lid **74A** with the aperture in the rear of the main body shell, and fit the left hinge **73A** and the right hinge **73B** into their corresponding housings. Lay a hinge flange **73C** over the left hinge pin **73A**, ensuring that the pin on the body shell fits into the smallest hole in the flange. Fix it firmly in place with an **MM** screw. Then lay the other hinge flange **73C** over the right hinge pin **73A** and fix it firmly with an **MM** screw (figure 1).

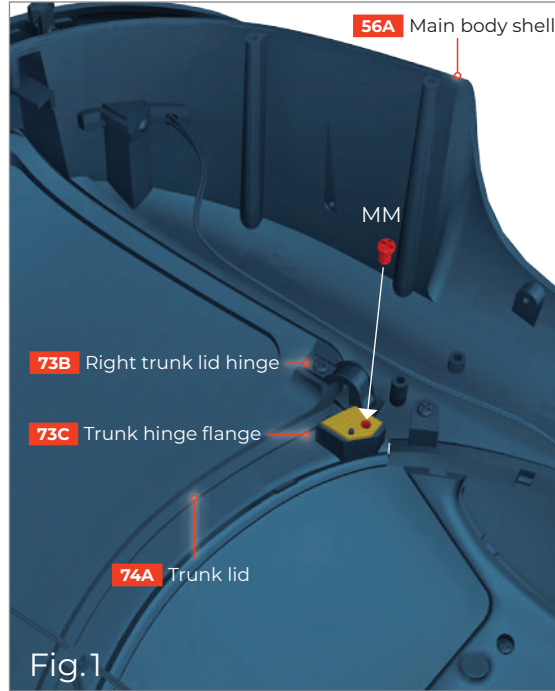
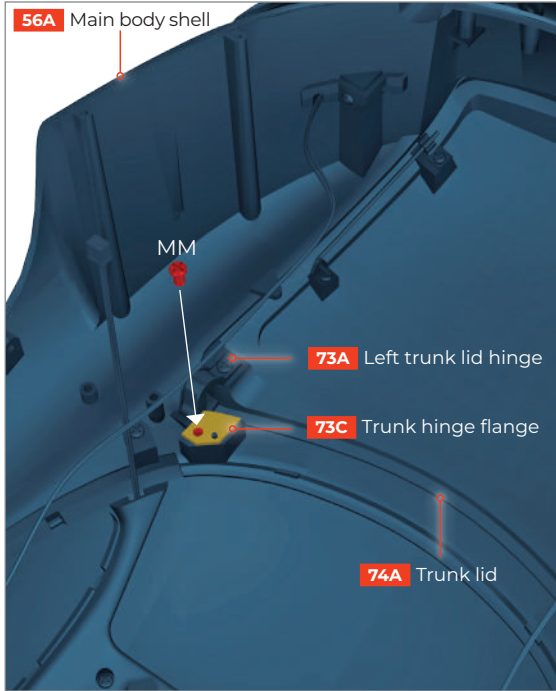


Fig.1



STAGE 75: THE AIR VENT GRILLE, WIPERS, AND SIDE MIRROR

Install the air vent grille, the windshield wipers, and the side mirror to the main body shell.

STAGE 75 – REQUIRED PARTS

Code	Name	Quantity	Material
75A	Windshield air vent grille	1	ABS
75B	Left windshield wiper	1	ABS
75C	Right windshield wiper	1	ABS
75D	Side mirror	1	ABS and SAN
EP	Screws 1.7 x 4mm	2 + 1*	Iron
HP	Screws 2 x 4mm	3 + 1*	Iron

* Replacement screws included



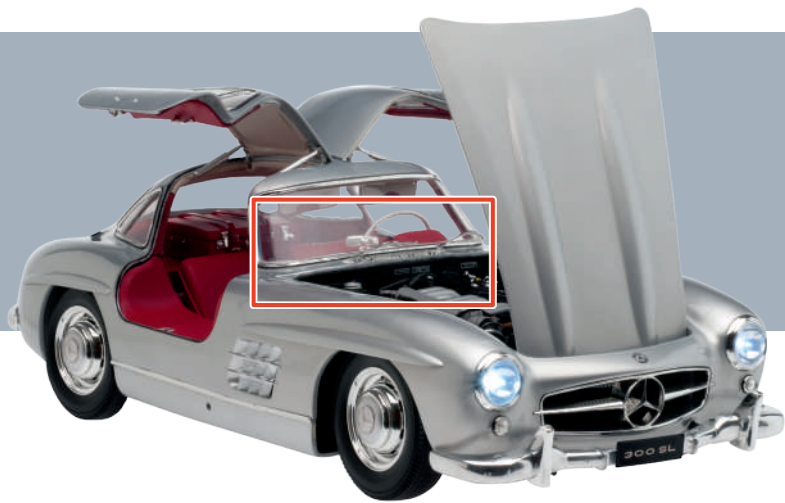
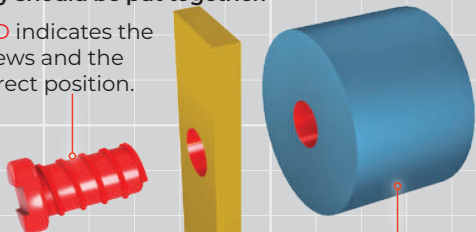
COLOR CODING

The color coding of the parts shows how they should be put together.

RED indicates the screws and the correct position.

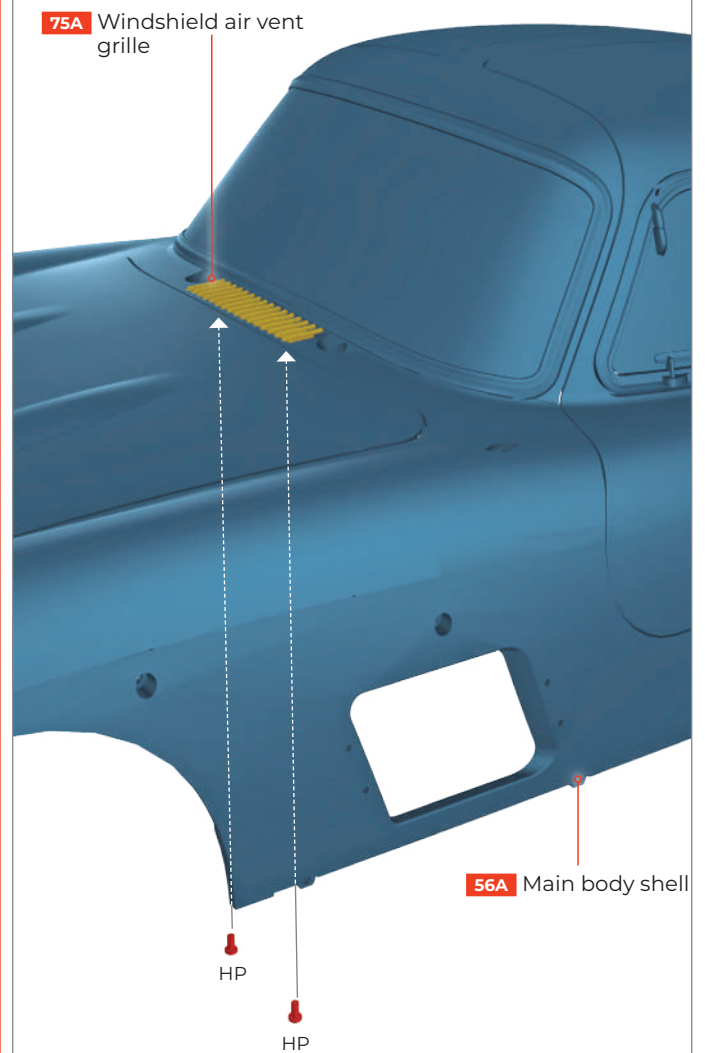
YELLOW indicates new parts.

GRAY-BLUE indicates the modules on which the new parts should be assembled.



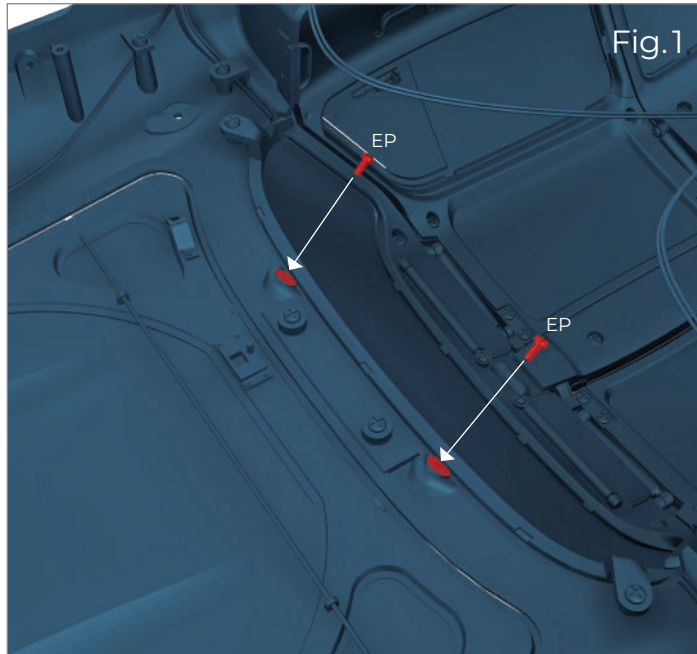
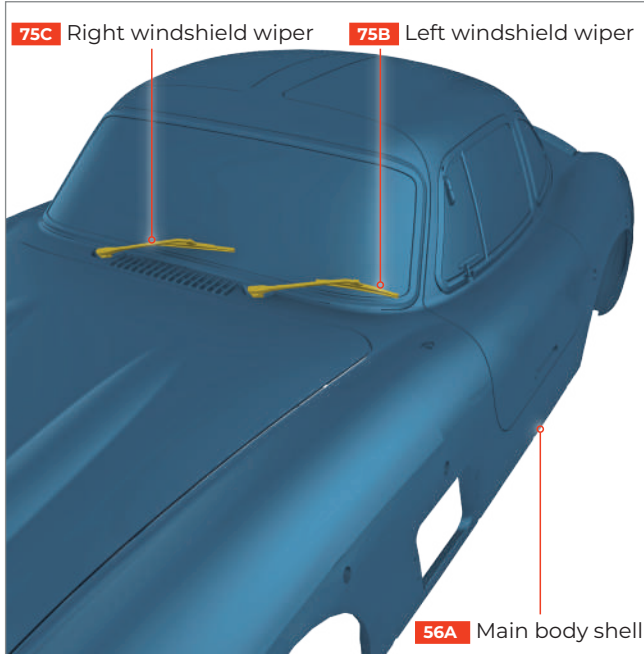
01 FITTING THE AIR VENT GRILLE

Position the windshield air vent grille **75A** over the rectangular housing in front of the windscreen on the main body shell **56A**. The fixing posts are spaced off-center so that the grille will only fit one way round. Fix in place from underneath with two **HP** screws.



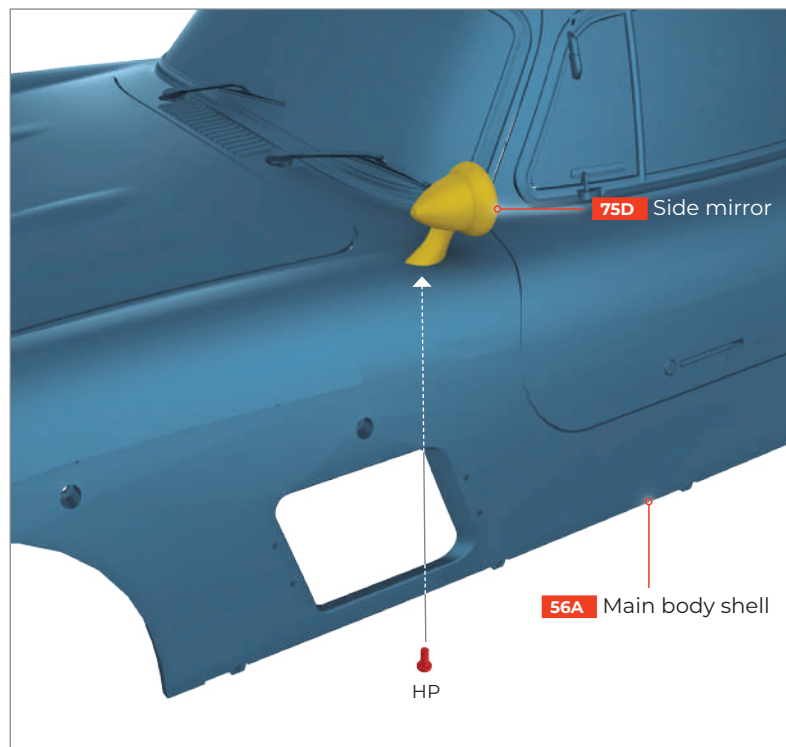
02 INSTALLING THE WINDSHIELD WIPERS

Insert the left windshield wiper **75B** – which has the shortest wiper blade – into the socket in the main body shell **56A** to the left of the air vent. Repeat to insert the right windshield wiper **75C** – which has the longer wiper blade – to the right of the air vent. Fix the wipers in place from inside the body shell with two **EP** screws (figure 1).



03 INSTALLING THE SIDE MIRROR

Position the side mirror **75D** in the oval recess in the main body shell **56A** to the left of the windshield. Fix in place from underneath with an **HP** screw.



The 'left' and 'right' sides of the model are as viewed from ABOVE, looking FORWARDS as if seated in the driving position.

STAGE 76: THE FENDER GRILLES AND TRIM

Fit the left and right fender grilles to the main body shell.



STAGE 76 - REQUIRED PARTS

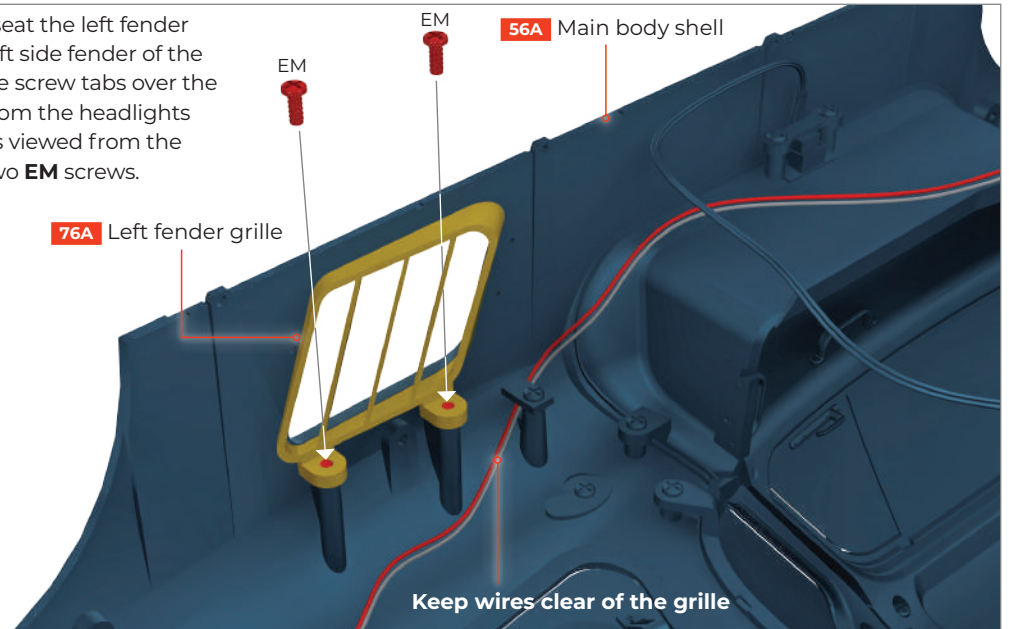
Code	Name	Quantity	Material
76A	Left fender grille	1	ABS
76B	Left grille trim	2	ABS
76C	Right fender grille	1	ABS
76D	Right grille trim	2	ABS
EM	Screws 2 x 5mm	4 + 2*	Iron

* Replacement screws included



01 INSTALLING THE LEFT FENDER GRILLE

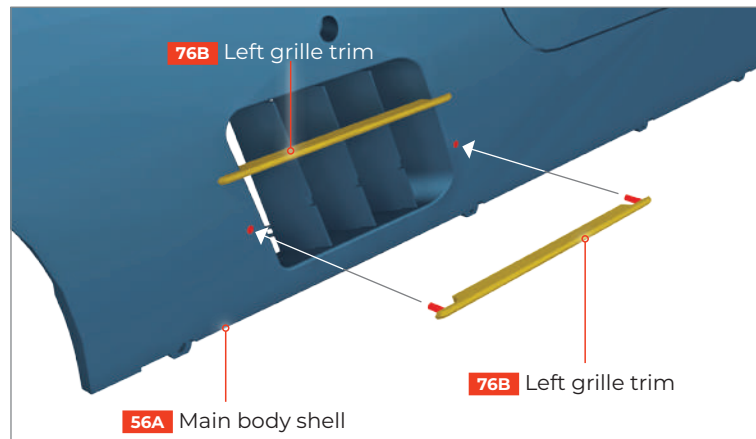
From inside the body shell **56A**, seat the left fender grille **76A** into the aperture in the left side fender of the main body shell **56A**, positioning the screw tabs over the screw posts. Ensure that the wires from the headlights remain out of sight when the grille is viewed from the outside. Fix the grille in place with two **EM** screws.



02 INSTALLING THE LEFT GRILLE TRIMS

Push the pins on one of the left grille trims **76B** into the small top holes in the main body shell **56A** on either side of the fender grille. Then push the pins on the other left grille trim **76B** into the small bottom holes.

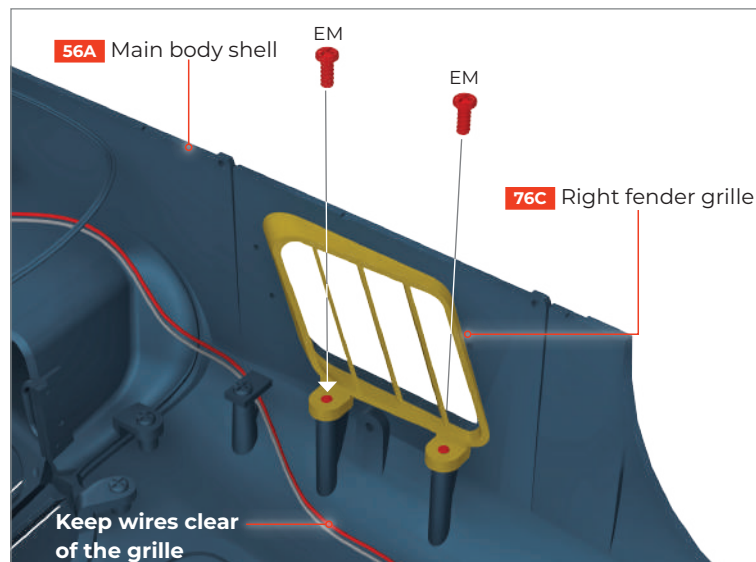
NOTE: Look very carefully at the four grille trims provided. One pair is for the left grille, and one pair is for the right grille. The angled inside edges of the trims must match the indentations on the grille and the angled sides of the aperture. Also, the front pin is closer to the front tip of the trim, so ensure the longer overhang is always at the rear.



The 'left' and 'right' sides of the model are as viewed from ABOVE, looking FORWARDS as if seated in the driving position.

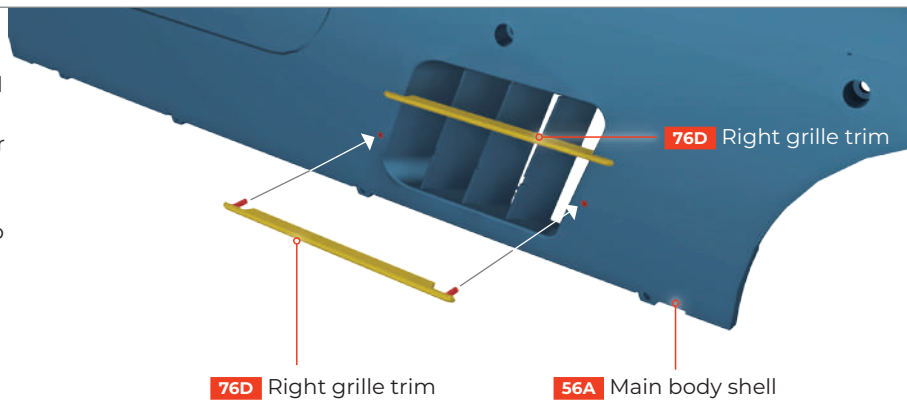
03 INSTALLING THE RIGHT FENDER GRILLE

From inside the body shell **56A**, seat the right fender grille **76C** into the aperture in the right side fender of the main body shell **56A**, positioning the screw tabs over the screw posts. Ensure that the wires from the headlights remain out of sight when the grille is viewed from the outside. Fix the grille in place with two **EM** screws.



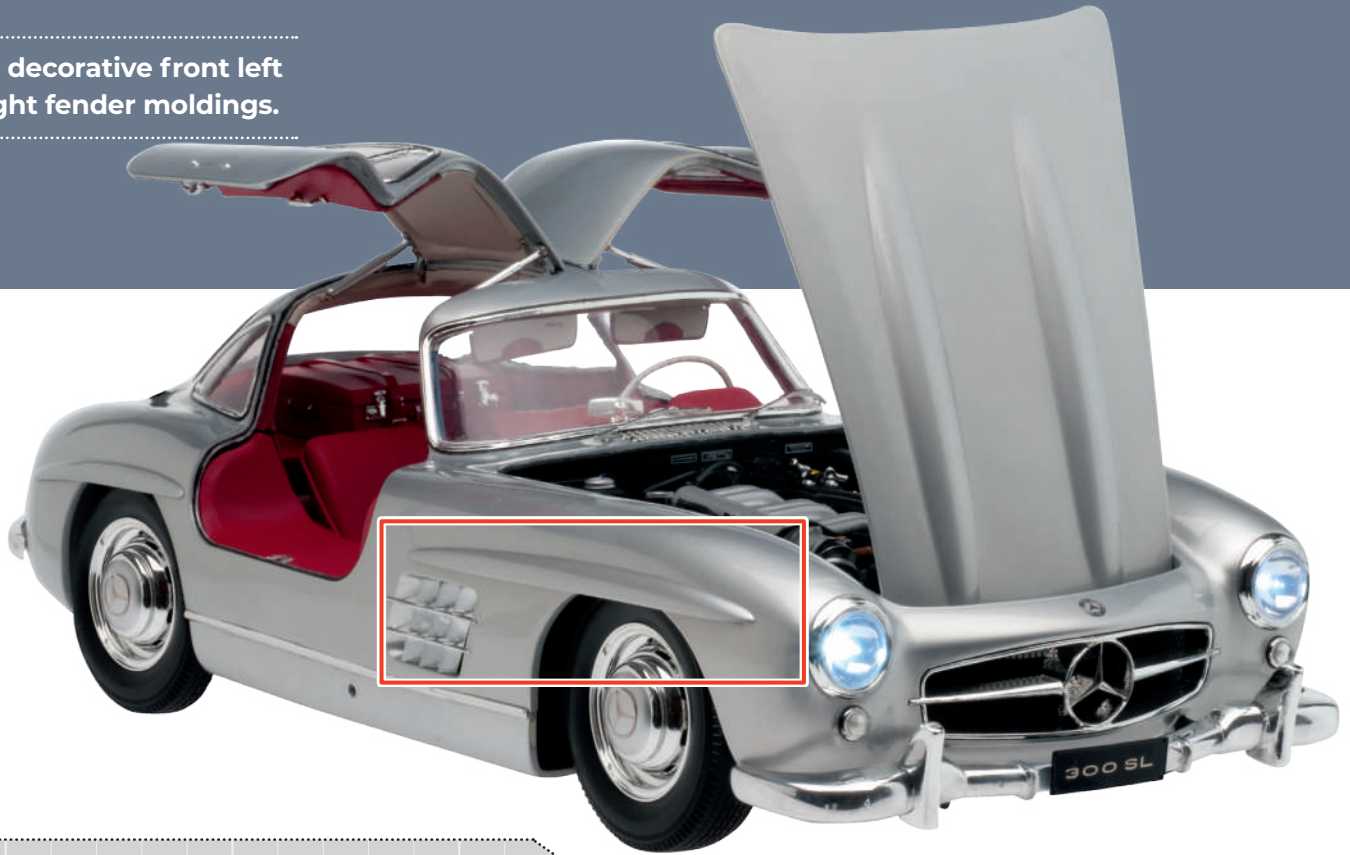
04 INSTALLING THE RIGHT GRILLE TRIM

Push the pins on one of the right grille trims **76D** into the small top holes in the main body shell **56A** on either side of the fender grille. Then push the second right grille trim **76D** into the lower holes.



■ STAGE 77: THE FRONT FENDER MOLDINGS

Fit the decorative front left and right fender moldings.



STAGE 77 - REQUIRED PARTS

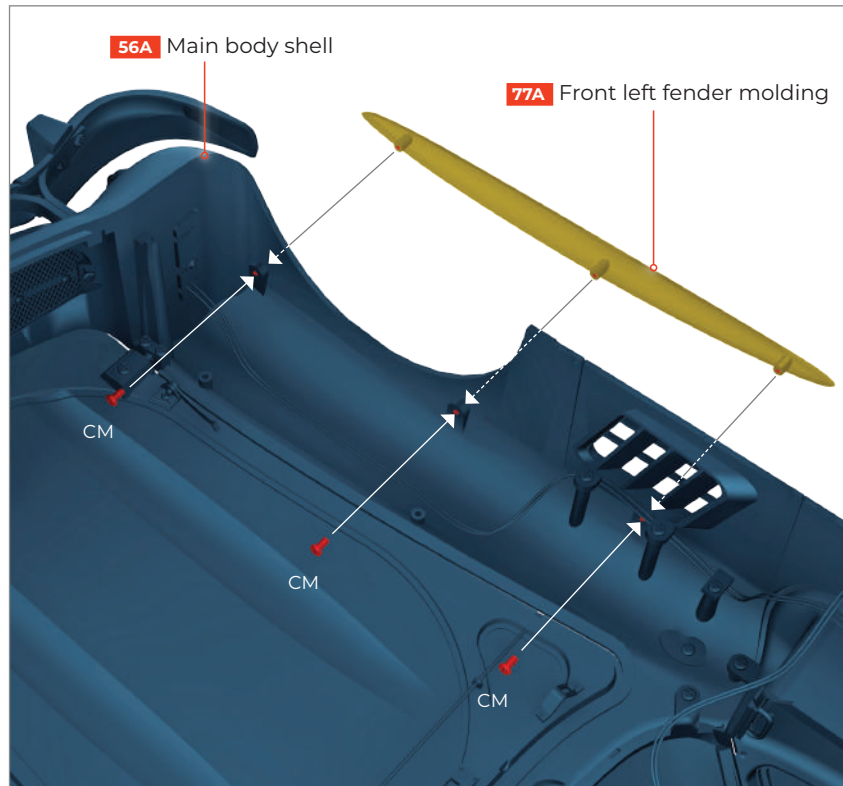
Code	Name	Quantity	Material
77A	Front left fender molding	1	Zinc
77B	Front right fender molding	1	Zinc
CM	Screws 2 x 4mm	6 + 2*	Iron

* Replacement screws included



01 FITTING THE FRONT LEFT FENDER MOLDING

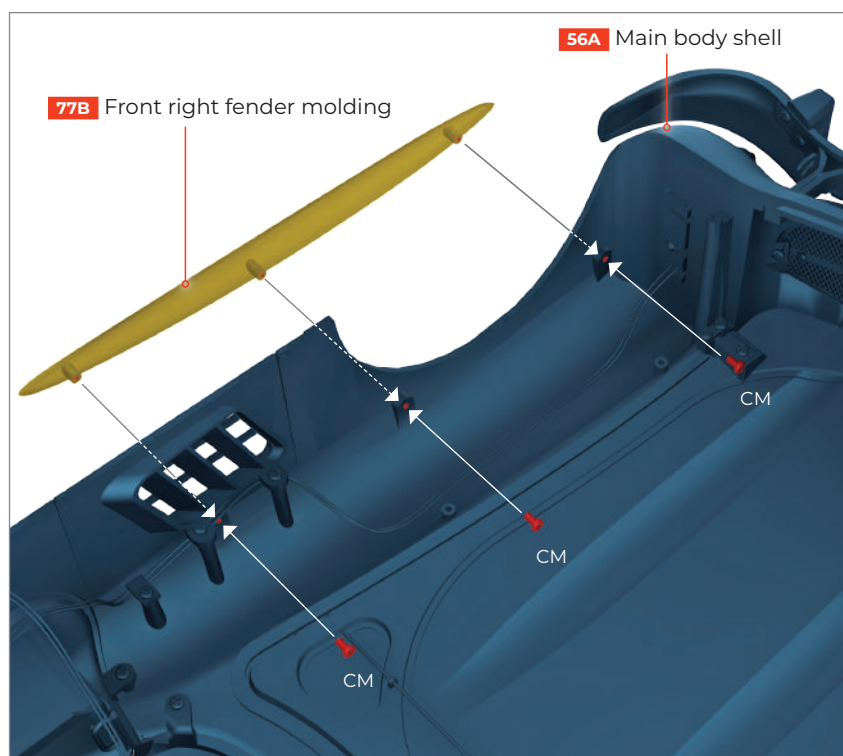
Push the pins on the front left molding **77A** – marked FL on the inside – into the three sockets on the front left fender of the main body shell **56A**. Fix it in place with three **CM** screws from inside the body shell.



Work on a soft cloth to avoid scratching the paintwork.

02 FITTING THE FRONT RIGHT FENDER MOLDING

Push the pins on the front right molding **77B** – marked FR on the inside – into the three sockets on the front right fender of the main body shell **56A**. Fix it in place with three **CM** screws from inside the body shell.



■ STAGE 78: THE REAR FENDER MOLDINGS

Fit the decorative rear left and right fender moldings.



STAGE 78 - REQUIRED PARTS

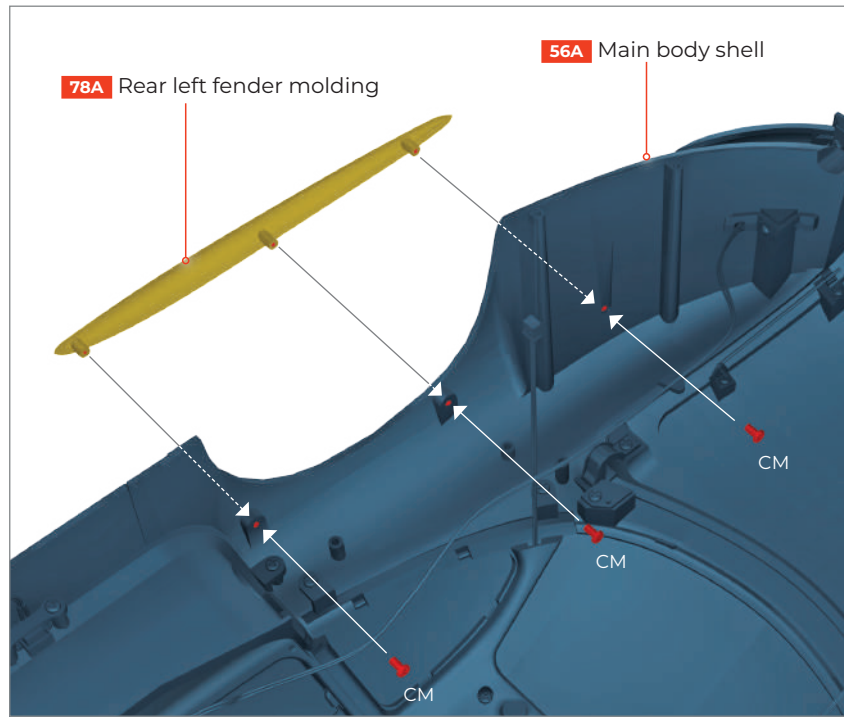
Code	Name	Quantity	Material
78A	Rear left fender molding	1	Zinc
78B	Rear right fender molding	1	Zinc
CM	Screws 2 x 4mm	6 + 2*	Iron

* Replacement screws included



01 FITTING THE REAR LEFT FENDER MOLDING

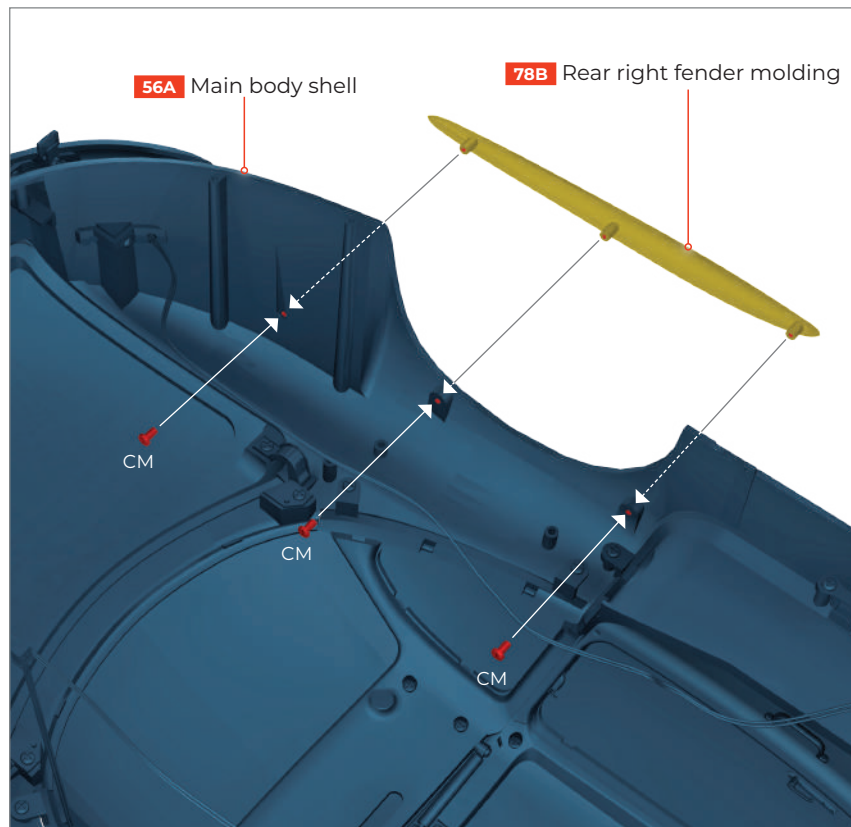
Push the pins on the rear left molding **78A** – marked RL on the inside – into the three sockets on the rear left fender of the main body shell **56A**. Fix it in place with three **CM** screws from inside the body shell.



Work on a soft cloth to avoid scratching the paintwork.

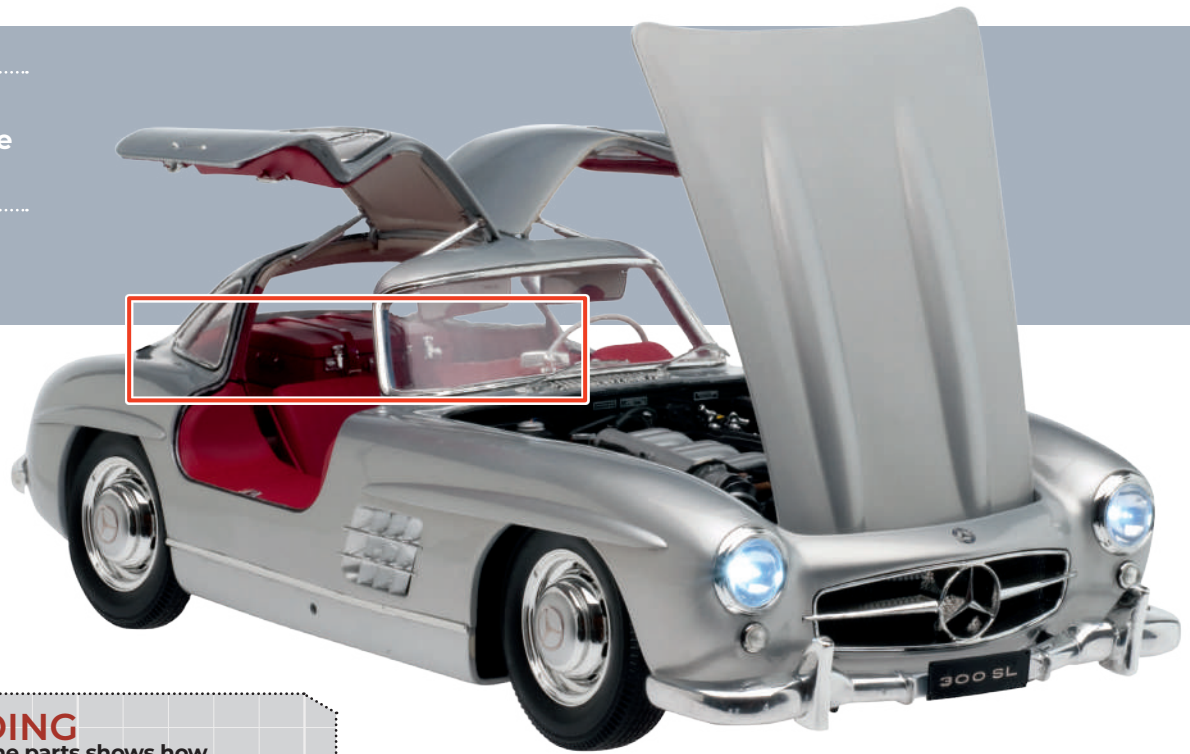
02 FITTING THE REAR RIGHT FENDER MOLDING

Push the pins on the rear right molding **78B** – marked RR on the inside – into the three sockets on the rear right fender of the main body shell **56A**. Fix it in place with three **CM** screws from inside the body shell.



STAGE 79: THE TRUNK WALL

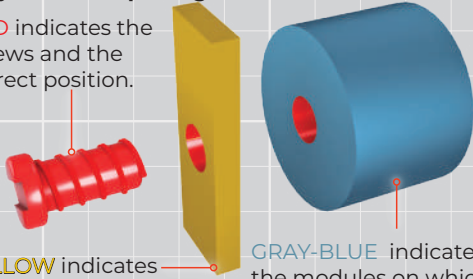
Fit the trunk wall inside the luggage compartment.



COLOR CODING

The color coding of the parts shows how they should be put together.

RED indicates the screws and the correct position.



YELLOW indicates new parts.

GRAY-BLUE indicates the modules on which the new parts should be assembled.

STAGE 79 - REQUIRED PARTS

Code	Name	Quantity	Material
79A	Trunk wall	1	ABS
CM	Screws 2 x 4mm	2 + 1*	Iron

* Replacement screws included



01 FITTING THE TRUNK WALL

Carefully turn the main body shell upside down. Position the trunk wall **79A** onto the two posts on the main body shell **56A** behind the rear window and over the trunk hinges. Fix it in place with two **CM** screws.

56A Main body shell

79A Trunk wall

CM

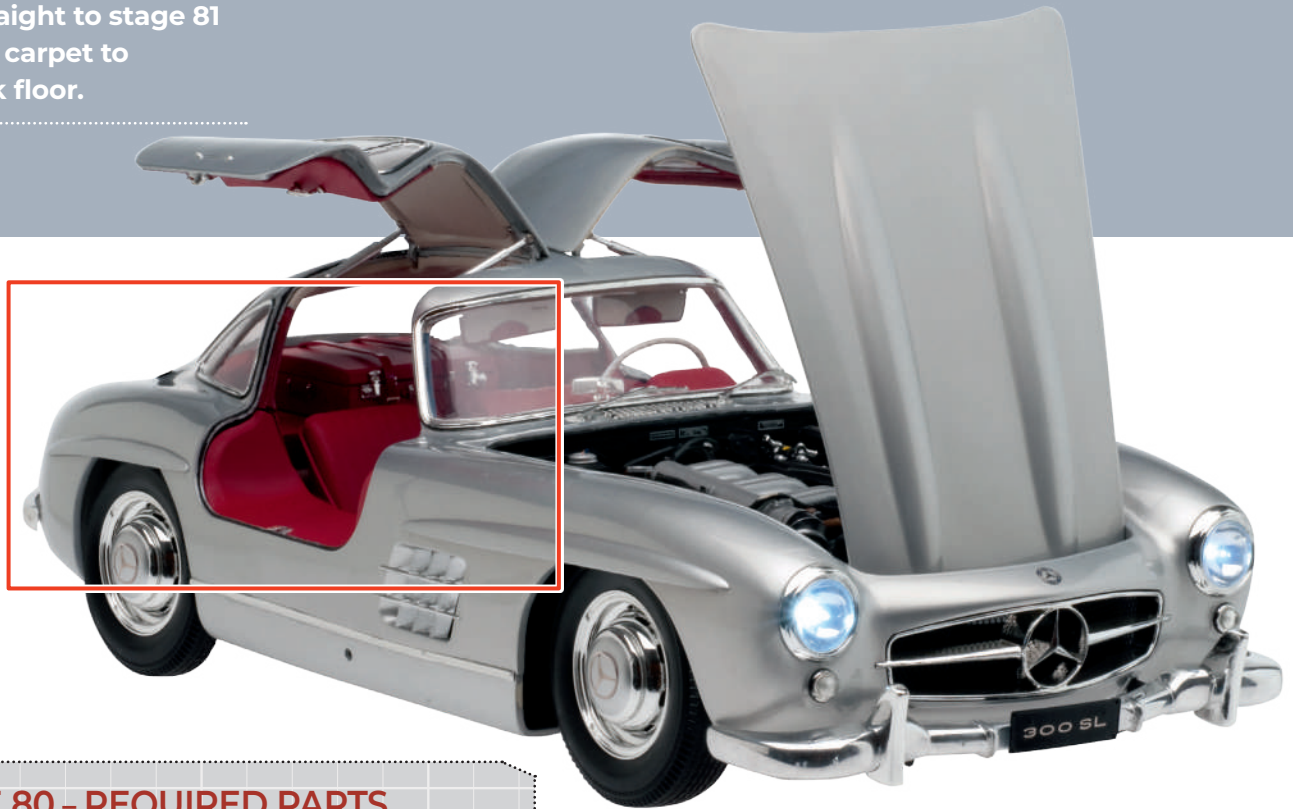
Work on a soft cloth to avoid scratching the paintwork.

In stages 80–84, you will install the trunk floor, the floor carpet, the fuel tank, the booster pump, tool kit, jack, and spare wheel support.



STAGE 80: THE TRUNK FLOOR

Move straight to stage 81 to fit the carpet to the trunk floor.



STAGE 80 - REQUIRED PARTS

Code	Name	Quantity	Material
80A	Trunk floor	1	ABS



In stages 81–84, you will install the trunk floor, the floor carpet, the fuel tank filler, the booster pump, tool kit, jack, and spare wheel support.

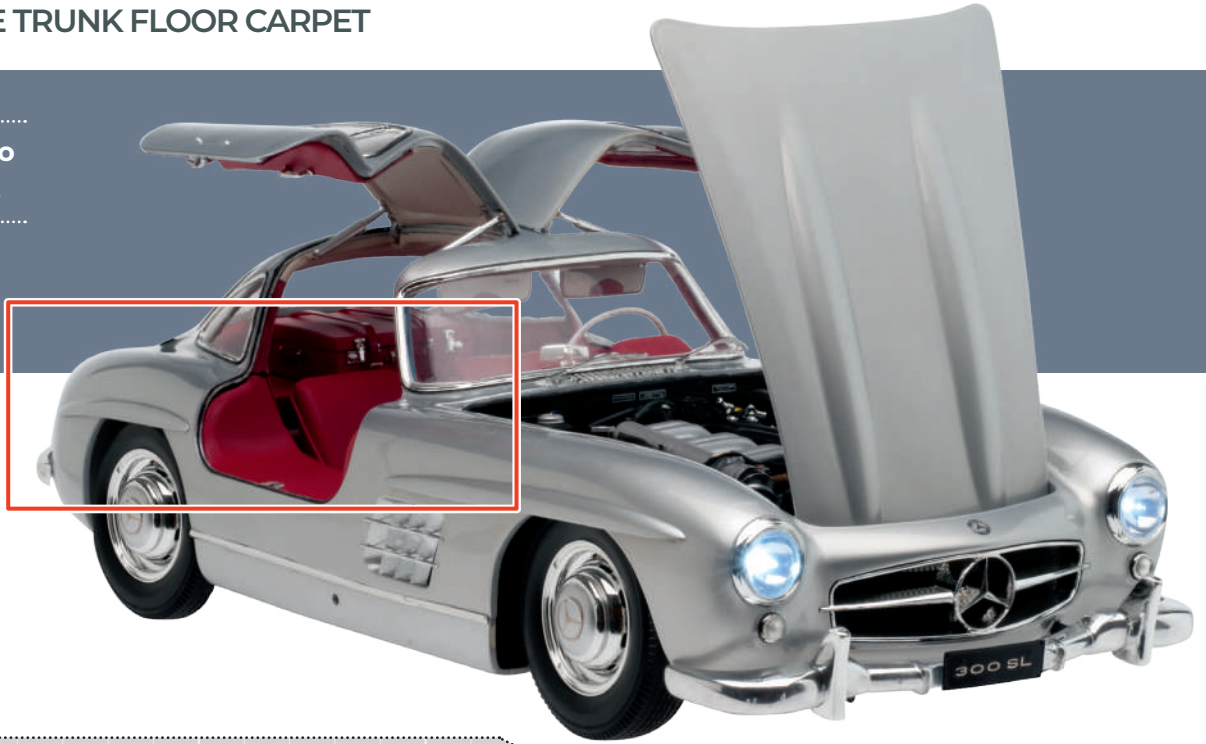


In stages 85–90, you will receive all the parts needed to install the front and rear wheel arch liners.



■ STAGE 81: THE TRUNK FLOOR CARPET

Fit the carpet to the trunk floor.



STAGE 81 - REQUIRED PARTS

Code	Name	Quantity	Material
81A	Trunk floor carpet	1	Self-adhesive TPR felt



01 FITTING THE TRUNK FLOOR CARPET

Carefully peel off some of the backing from the self-adhesive trunk floor carpet **81A**, beginning with the two pointed front tips – do not peel it all off until you have aligned all the edges. Align the back edge with the trunk floor **80A** and ensure that all the cutout holes fit over their corresponding holes in the floor. Then peel off a little more of the backing and carefully stretch the carpet over the contours of the floor. When the carpet is completely aligned, peel off the rest of the backing and press the carpet firmly into place all around (figure 1).

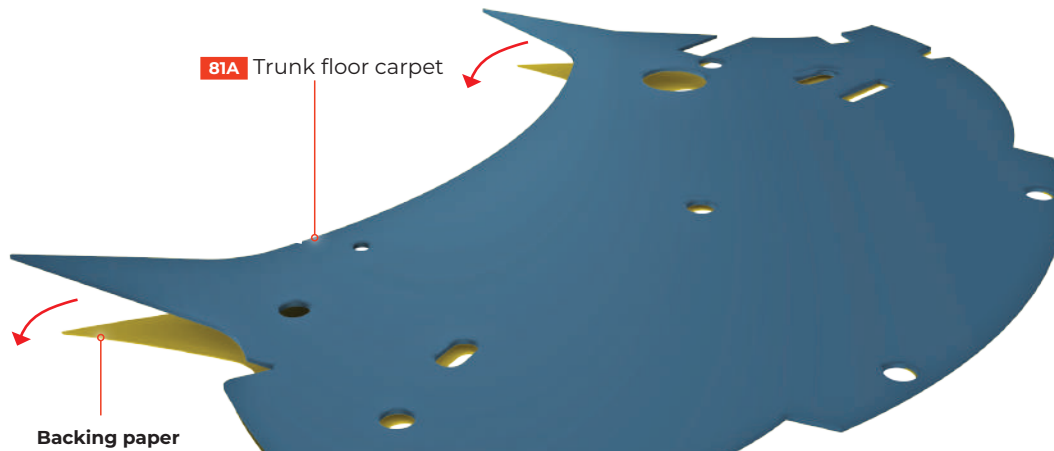
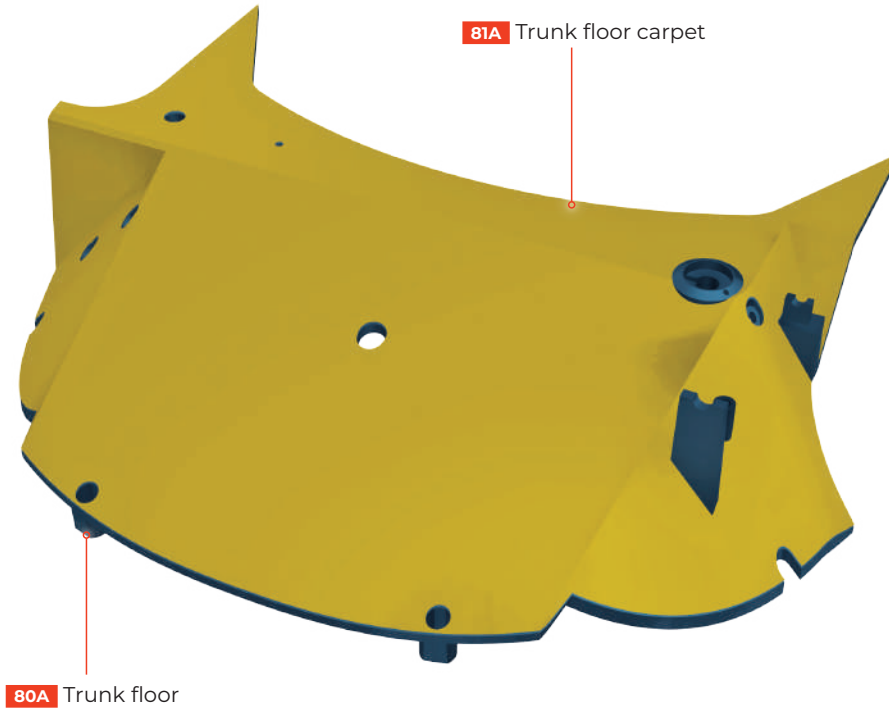


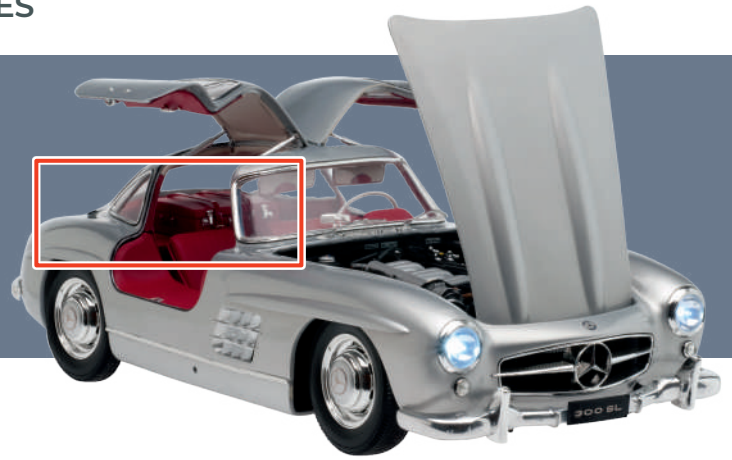
Fig.1



Stick the carpet in place loosely until you are sure it fits correctly all the way around. It can be carefully peeled off the plastic floor if you make a mistake. When you are sure the fit is correct, you can press it down firmly.

STAGE 82: THE TRUNK FLOOR ACCESSORIES

Install the fuel tank filler, the booster pump, tool kit, jack, and spare wheel support onto the trunk floor.



STAGE 82 - REQUIRED PARTS

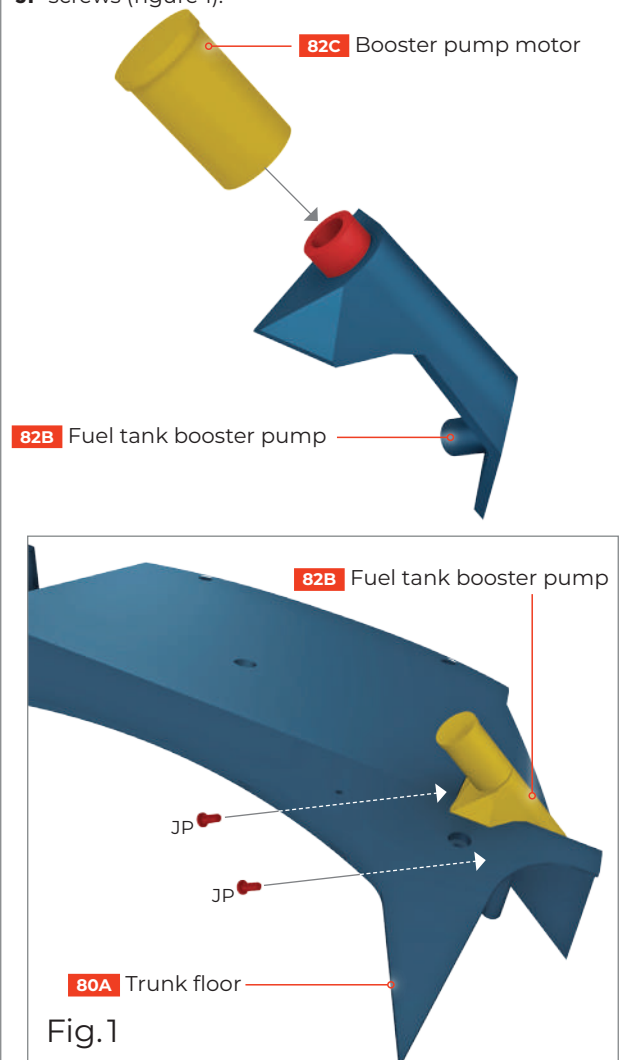
Code	Name	Quantity	Material
82A	Fuel tank filler tube and cap	1	ABS
82B	Fuel tank booster pump	1	ABS
82C	Booster pump motor	1	ABS
82D	Tool kit	1	ABS
82E	Jack	1	ABS
82F	Spare wheel support	1	ABS
HP	Screws 2 x 4mm	4 + 3*	Iron
JP	Screws 2 x 5mm	3 + 1*	Iron

* Replacement screws included



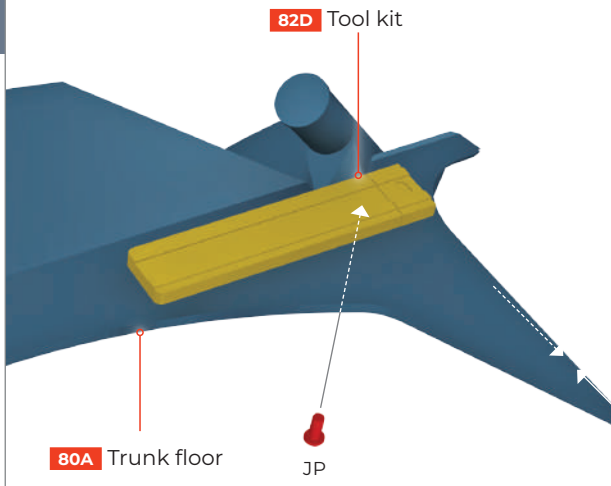
01 FITTING THE TANK COVER

Push the booster pump motor **82C** onto the top of the fuel tank booster pump **82B**. Then fit the fuel tank booster pump **82B** onto the two sockets at the left side of the trunk floor **80A**. Fix the assembly in place with two **JP** screws (figure 1).



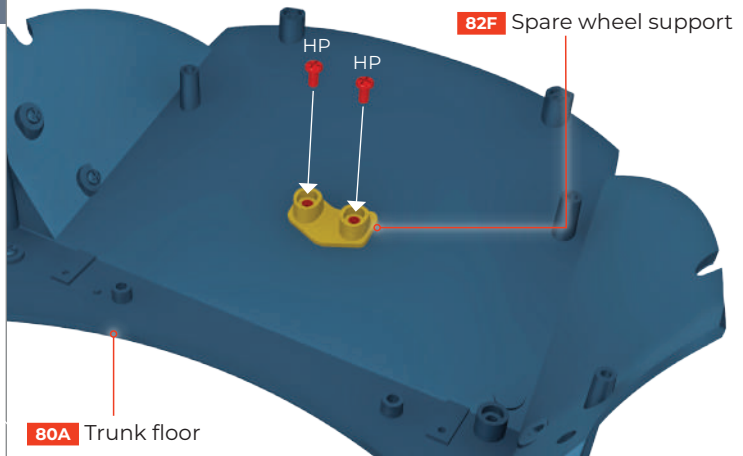
02 INSTALLING THE TOOL KIT

Position the tool kit **82D** over its corresponding holes on the front left of the trunk floor **80A** and then fix it in place with a **JP** screw from underneath.



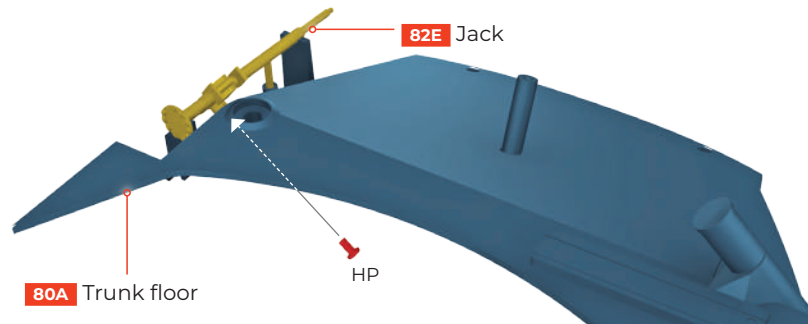
03 FITTING THE SPARE WHEEL SUPPORT

From underneath, push the shaft of the spare wheel support **82F** through the central hole in the trunk floor **80A**. Fix it in place with two **HP** screws from underneath.



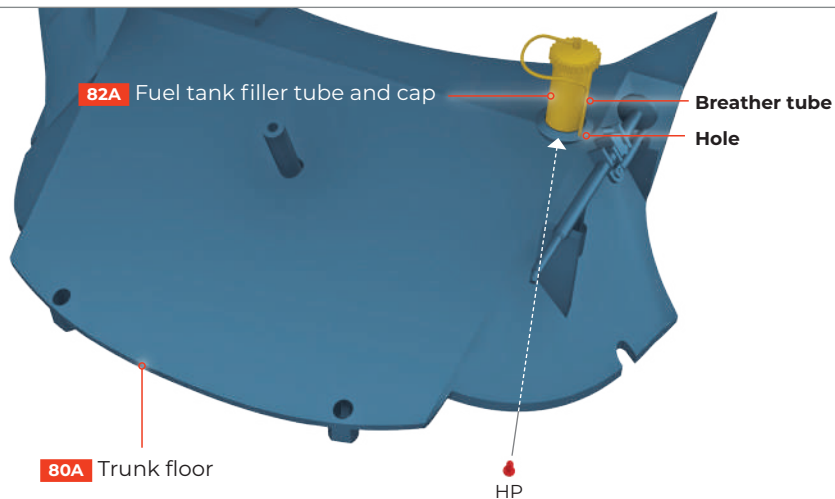
04 FITTING THE JACK

Position the jack **82E** over the two support cradles on the right of the trunk floor **80A**, as shown in the image, gently pushing the central rod into the hole between the two cradles. Fix from beneath the floor with an **HP** screw.



05 FITTING THE FUEL TANK FILLER TUBE AND CAP

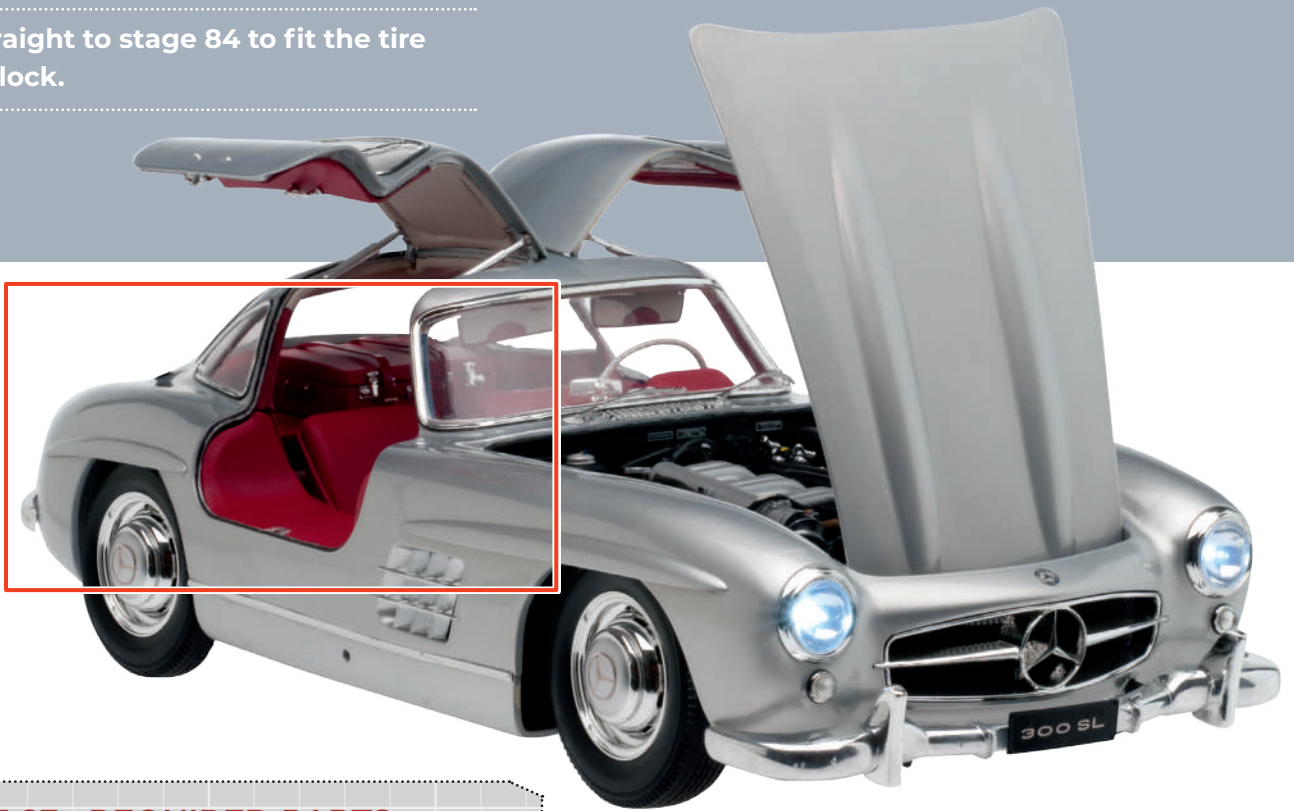
Fit the base of the fuel tank filler tube and cap **82A** into the notched socket at the right of the trunk floor **80A**. Fix in place from underneath with an **HP** screw. Push the end of the filler cap breather tube into the small hole near the base of the filler tube.



Work on a clean work surface to avoid marking the black felt trunk liner.

STAGE 83: THE SPARE WHEEL RIM

Move straight to stage 84 to fit the tire and rim lock.



STAGE 83 - REQUIRED PARTS

Code	Name	Quantity	Material
83A	Spare wheel rim	1	Zinc

83A



In stage 84 you will fit the spare tire to the rim.



STAGE 84: THE SPARE TIRE

Fit the spare tire to the wheel rim, fix the spare wheel to the trunk floor, and then install the trunk floor into the main body shell.

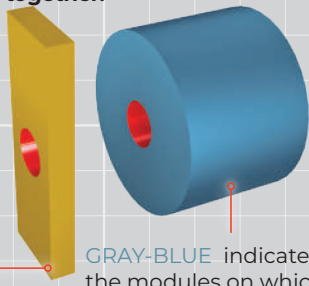


COLOR CODING

The color coding of the parts shows how they should be put together.

RED indicates the screws and the correct position.

YELLOW indicates new parts.



GRAY-BLUE indicates the modules on which the new parts should be assembled.

STAGE 84 - REQUIRED PARTS

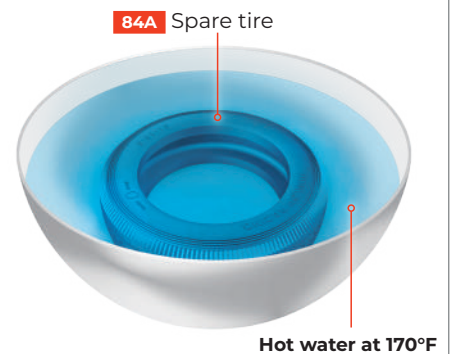
Code	Name	Quantity	Material
84A	Spare tire	1	PVC
84B	Washer	1	ABS
84C	Rim lock	1	ABS
MM	Screws 2.3 x 4mm	2 + 1*	Iron
NP	Screws 2.3 x 5mm	1 + 1*	Iron

* Replacement screws included



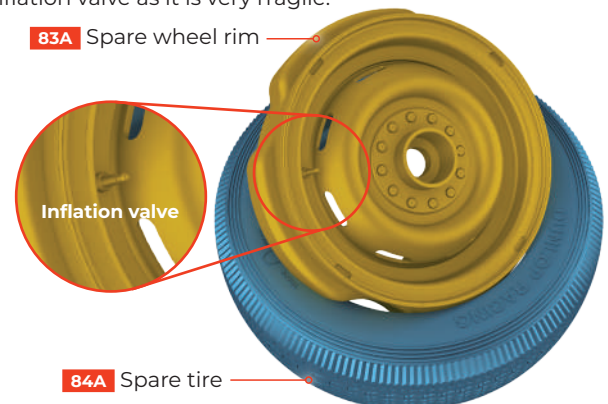
01 SOFTENING THE TIRE

The spare tire **84A** is difficult to bend at room temperature, making it hard to press onto the rim. We recommend placing it in a container with hot water, at approximately 170°F (75°C), for a few minutes. When warm, the tire softens and can easily be fitted.



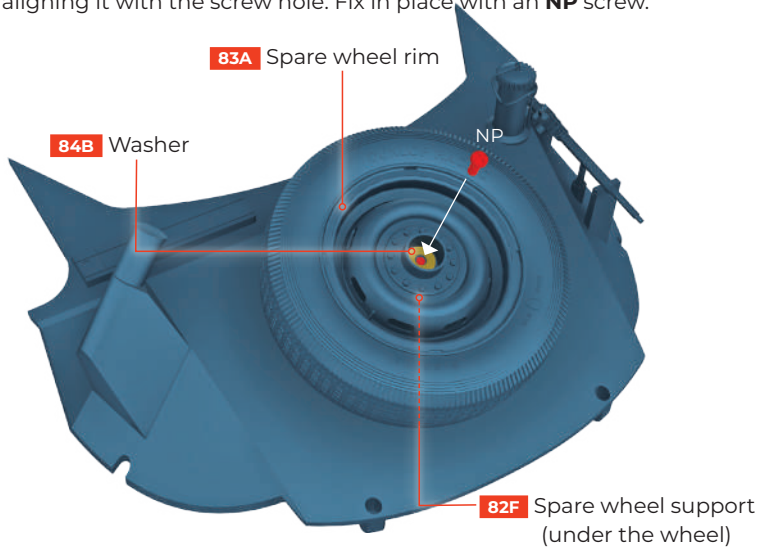
02 FITTING THE TIRE ONTO THE RIM

Place the rim **83A** inside the tire **84A** as shown in the picture, and carefully press the sides to seat it onto the rim so that it is evenly distributed. **CAUTION:** while fitting the tire, DO NOT PRESS the inflation valve as it is very fragile.



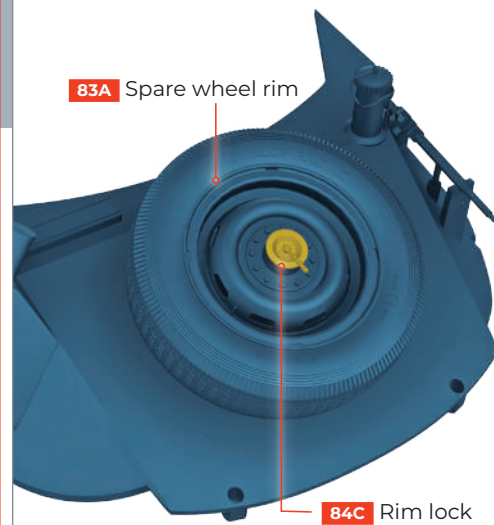
03 FITTING THE SPARE WHEEL TO THE TRUNK FLOOR

Position the center of the spare wheel rim **83A** onto the spare wheel support **82F** so that the tire touches the trunk floor. Place the washer **84B** through the rim and onto the center of the support **82F**, aligning it with the screw hole. Fix in place with an **NP** screw.



04 FITTING THE RIM LOCK

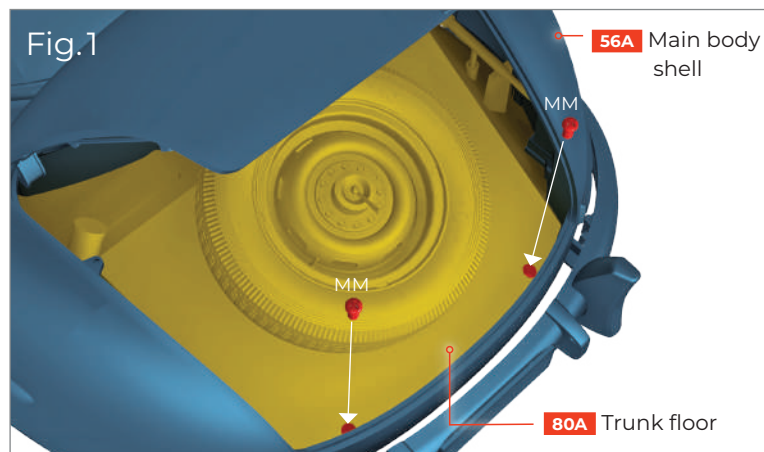
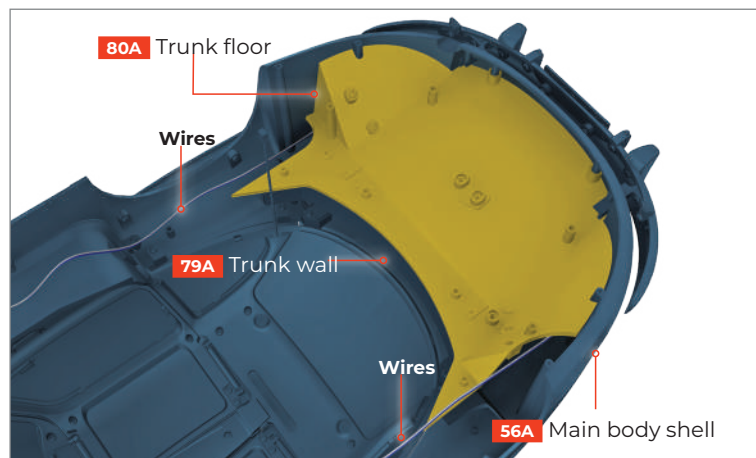
Push the rim lock **84C** into the center of the spare wheel rim **83A**. Take care not to press hard against the fragile lever on the rim lock.



05 FITTING THE TRUNK FLOOR TO THE BODY SHELL

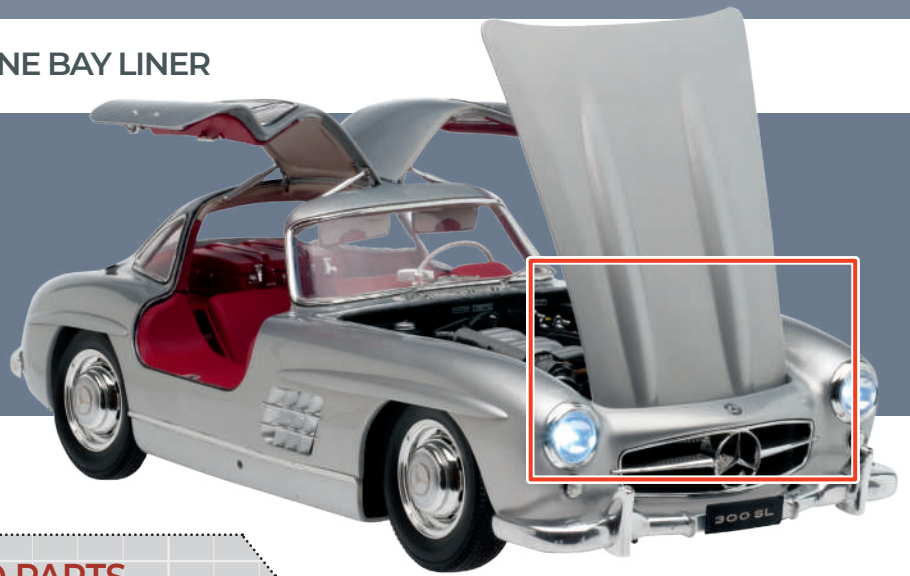
Turn the main body shell assembly upside down on to a soft cloth. Fit the trunk floor **80A** into the rear of the main body shell **56A**, ensuring that the wires for the rear lights run above the trunk floor when you turn the body shell upright again. The trunk floor **80A** must fit over the trunk wall **79A**, and the two screw sockets at the rear of the trunk floor must fit over the two screw posts at the rear of the body shell. Now, carefully turn the assembly upright. Fix the trunk floor to the main body shell with two **MM** screws (figure 1).

Note: At this stage, the trunk floor is only secured at the rear edge, so handle the assembly with care.



■ STAGE 85: THE FRONT LEFT ENGINE BAY LINER

Install the brake fluid lines and hood release latch to the front left engine bay liner.



STAGE 85 - REQUIRED PARTS

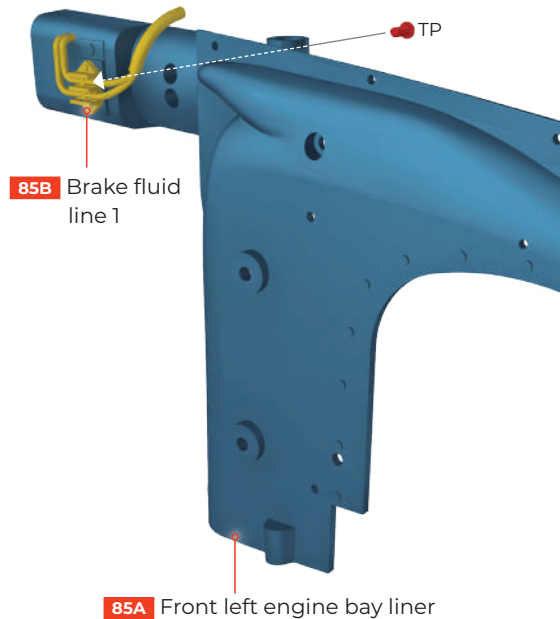
Code	Name	Quantity	Material
85A	Front left engine bay liner	1	ABS
85B	Brake fluid line 1	1	ABS
85C	Brake fluid line 2	1	ABS
85D	Brake fluid line 3	1	ABS
85E	Hood release latch	1	Zinc
HP	Screws 2 x 4mm	1 + 1*	Iron
TP	Screws 1.7 x 5mm	2 + 1*	Iron

* Replacement screws included



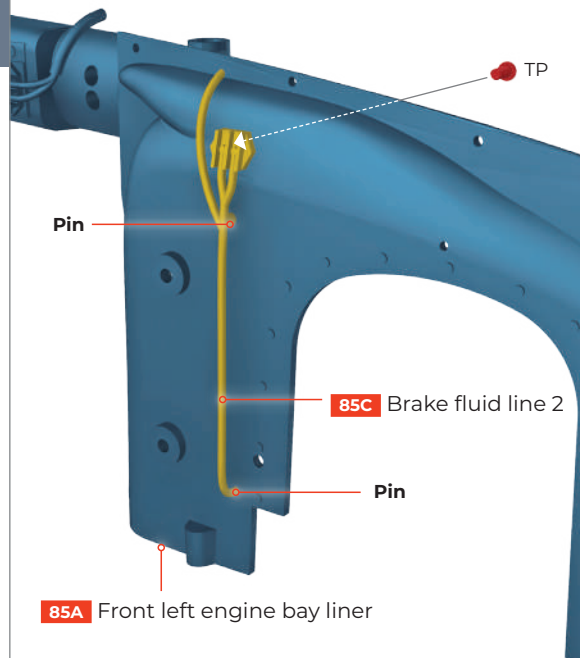
01 FITTING BRAKE FLUID LINE 1

Fit the notched pin on the back of brake fluid line 1 **85B** into the notched socket on the front left engine bay liner **85A** in the position shown. Ensure that the two tubes are inserted into the elongated hole in the liner. Fix in place from behind with a **TP** screw.



02 FITTING BRAKE FLUID LINE 2

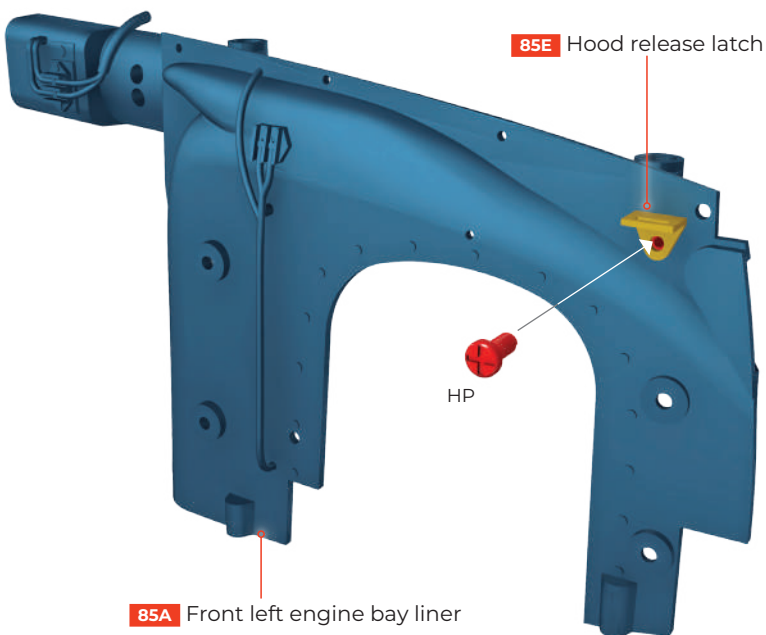
Fit the post on the back of brake fluid line 2 **85C** into its socket on the front left engine bay liner **85A** in the position shown. Push the two pins on the back of the tube into their corresponding holes in the liner. Fix in place from behind with a **TP** screw.



Take care when fitting the wires and pipes, as they are fragile.

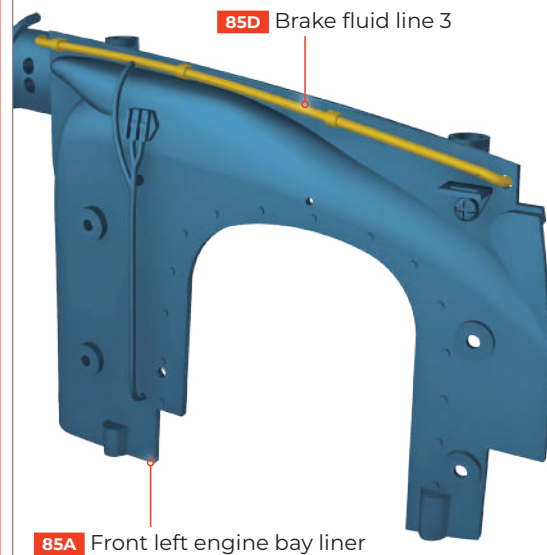
03 FITTING THE HOOD RELEASE LATCH

Fit the hood release latch **85E** to the front left engine bay liner **85A** in the position shown. Ensure that the pin on the back of the latch fits into its corresponding hole in the liner. Fix in place with an **HP** screw.



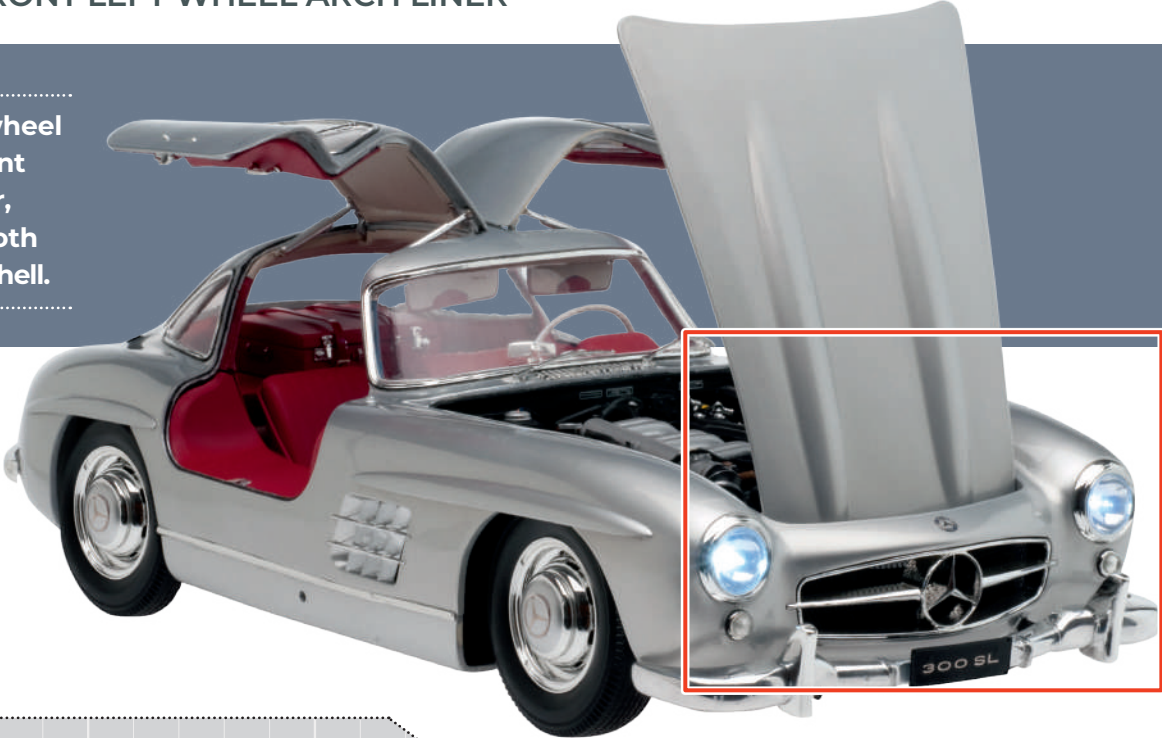
04 FITTING BRAKE FLUID LINE 3

Push the four pins on the brake fluid line 3 **85D** into the four corresponding holes along the top edge of the front left engine bay liner **85A**, positioned as shown.



STAGE 86: THE FRONT LEFT WHEEL ARCH LINER

Join the front left wheel arch liner to the front left engine bay liner, then install them both into the main body shell.



STAGE 86 - REQUIRED PARTS

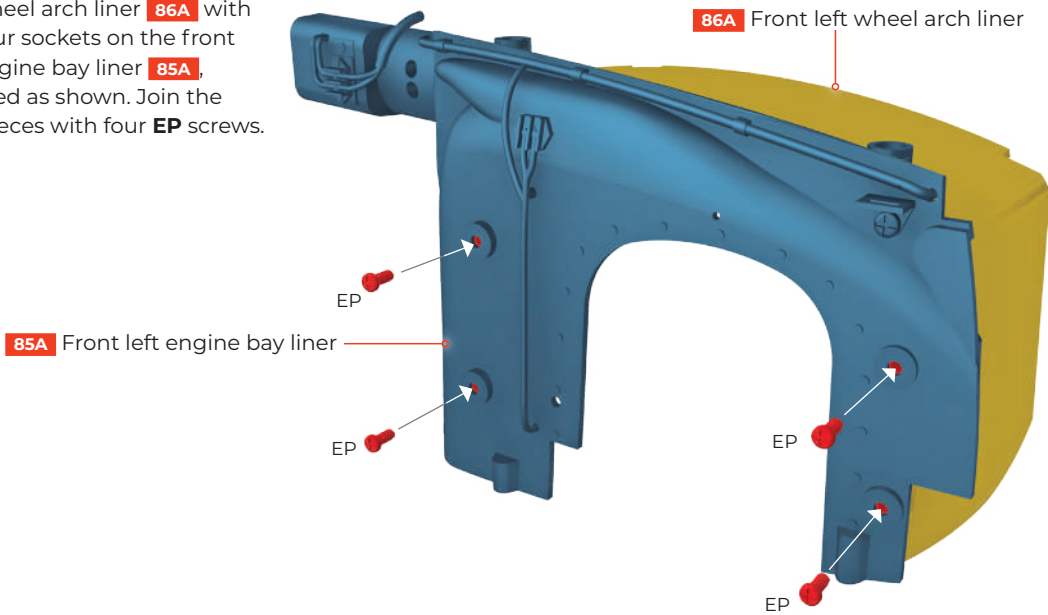
Code	Name	Quantity	Material
86A	Front left wheel arch liner	1	ABS
CM	Screws 2 x 4mm	2 + 1*	Iron
EP	Screws 1.7 x 4mm	4 + 2*	Iron

* Replacement screws included



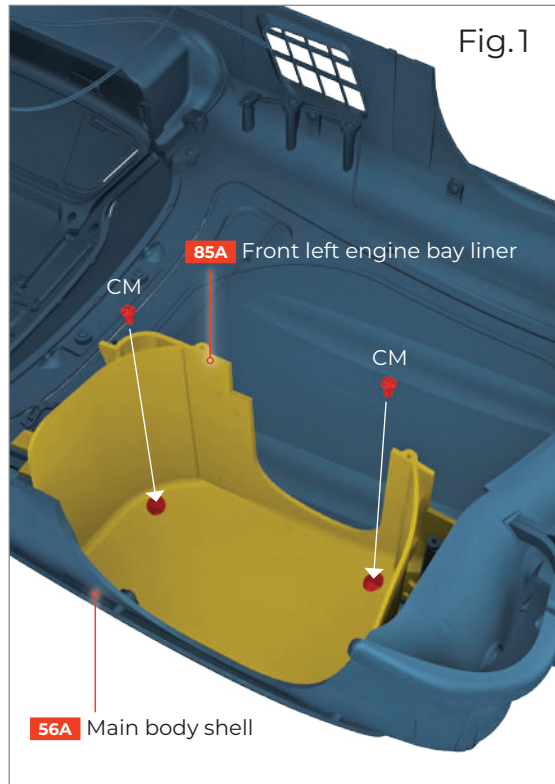
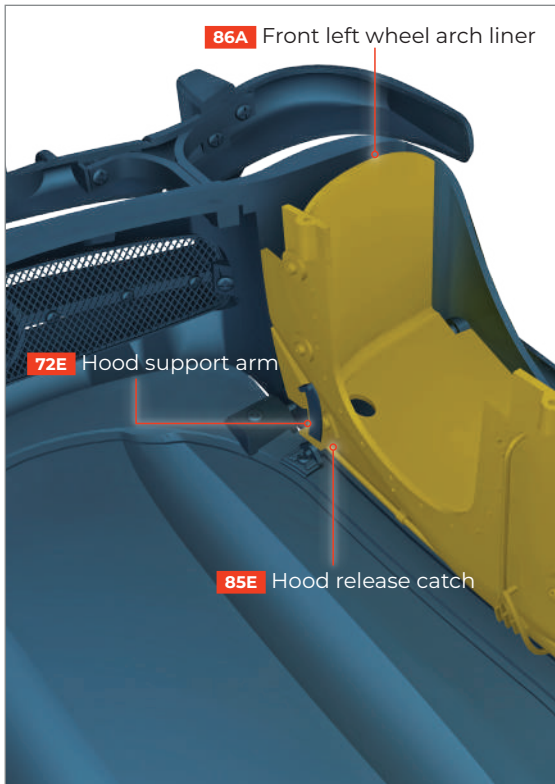
01 FITTING THE FRONT LEFT WHEEL ARCH LINER

Align the posts on the front left wheel arch liner **86A** with the four sockets on the front left engine bay liner **85A**, oriented as shown. Join the two pieces with four **EP** screws.



02 FITTING THE FRONT LEFT WHEEL ARCH LINER

Position the liners into the wheel arch, as shown. Carefully pass the hood support arm **72E** through the slot in the hood release catch. Then position the two sockets on the top of the wheel arch liner **86A** over the two screw posts in the main body shell **56A**. Ensure that the wires for the headlights run above the liner, out of sight. Fix in place with two **CM** screws, inserted through the two holes in the wheel arch liner (figure 1).



Work on a soft cloth to avoid scratching the body shell paintwork.

STAGE 87: THE FRONT RIGHT ENGINE BAY LINER

Fit the right engine bay tube to the front right engine bay liner.



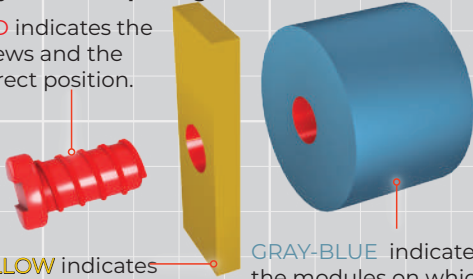
COLOR CODING

The color coding of the parts shows how they should be put together.

RED indicates the screws and the correct position.

YELLOW indicates new parts.

GRAY-BLUE indicates the modules on which the new parts should be assembled.



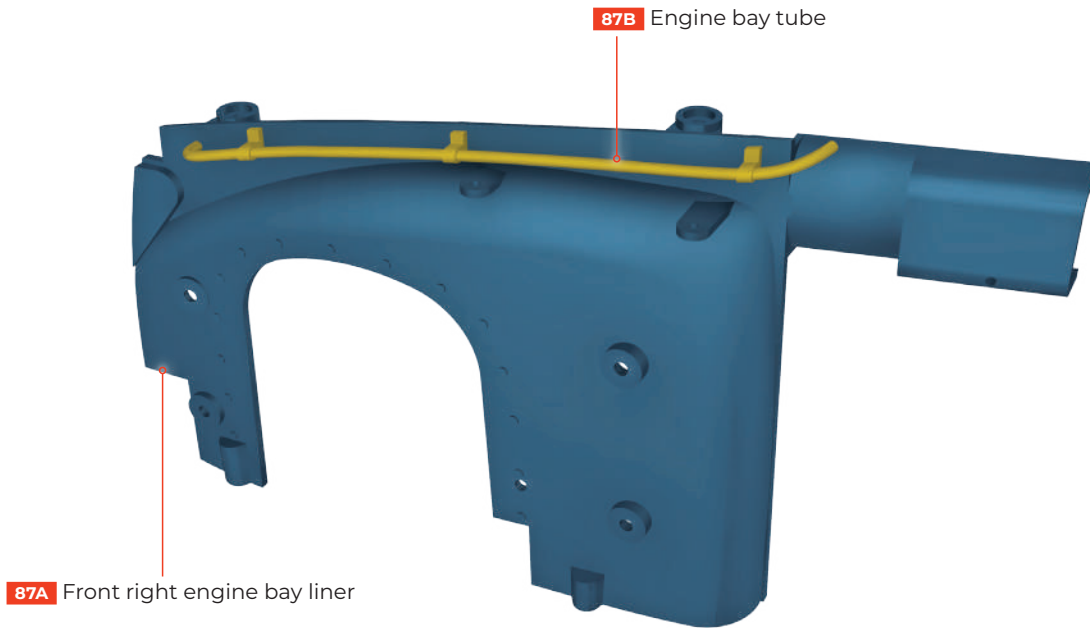
STAGE 87 - REQUIRED PARTS

Code	Name	Quantity	Material
87A	Front right engine bay liner	1	ABS
87B	Engine bay tube	1	ABS



01 FITTING THE ENGINE BAY TUBE

Push the three pins on the engine bay tube **87B** into the corresponding three holes in the top edge of the front right engine bay liner **87A**, oriented as shown.



Take care when fitting the tube as it is fragile.

In the next stage you will fit the front right wheel arch liner. Then in stages 89–90 you will fit the rear wheel arch liners.



STAGE 88: THE FRONT RIGHT WHEEL ARCH LINER

Join the front right wheel arch liner to the front right engine bay liner, then install them both into the main body shell.



STAGE 88 - REQUIRED PARTS

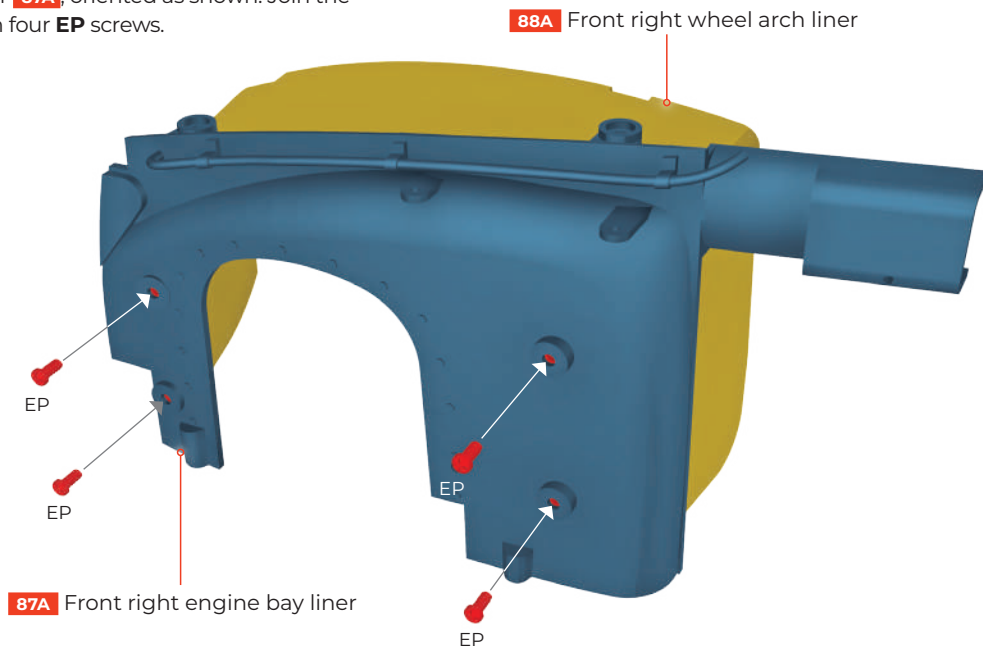
Code	Name	Quantity	Material
88A	Front right wheel arch liner	1	ABS
CM	Screws 2 x 4mm	2 + 1*	Iron
EP	Screws 1.7 x 4mm	4 + 2*	Iron

* Replacement screws included



01 INSTALLING THE FRONT RIGHT WHEEL ARCH LINER

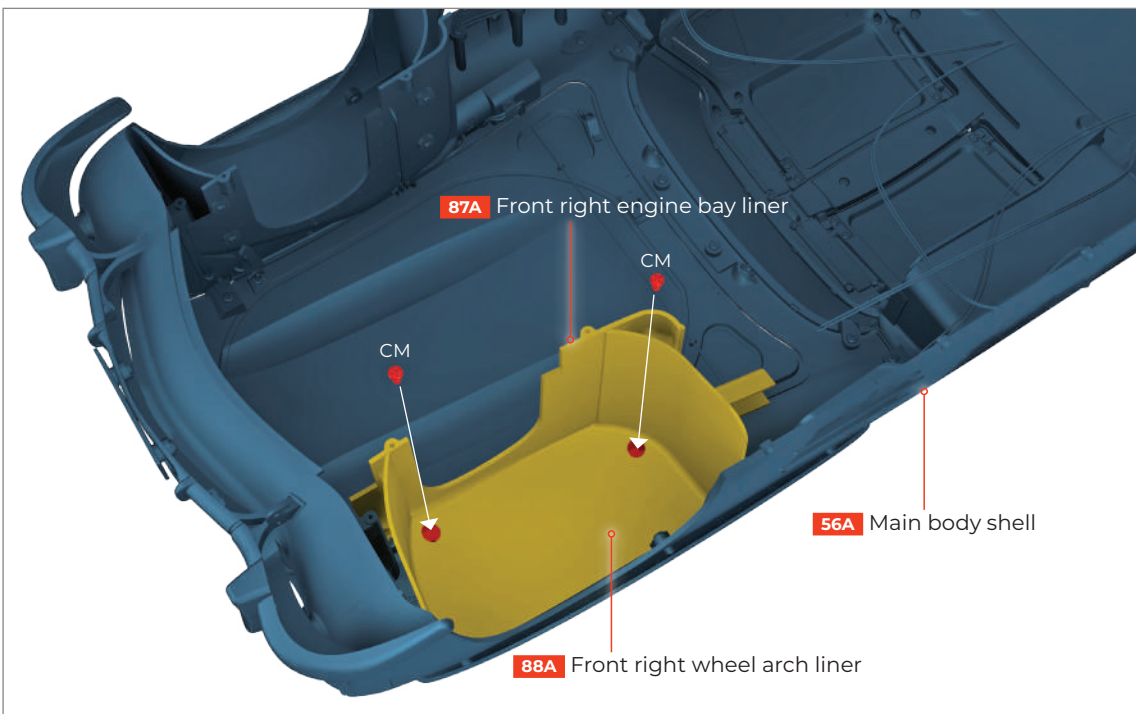
Align the posts on the front right wheel arch liner **88A** with the four sockets on the front right engine bay liner **87A**, oriented as shown. Join the two pieces with four **EP** screws.



Work on a soft cloth to avoid scratching the body shell paintwork.

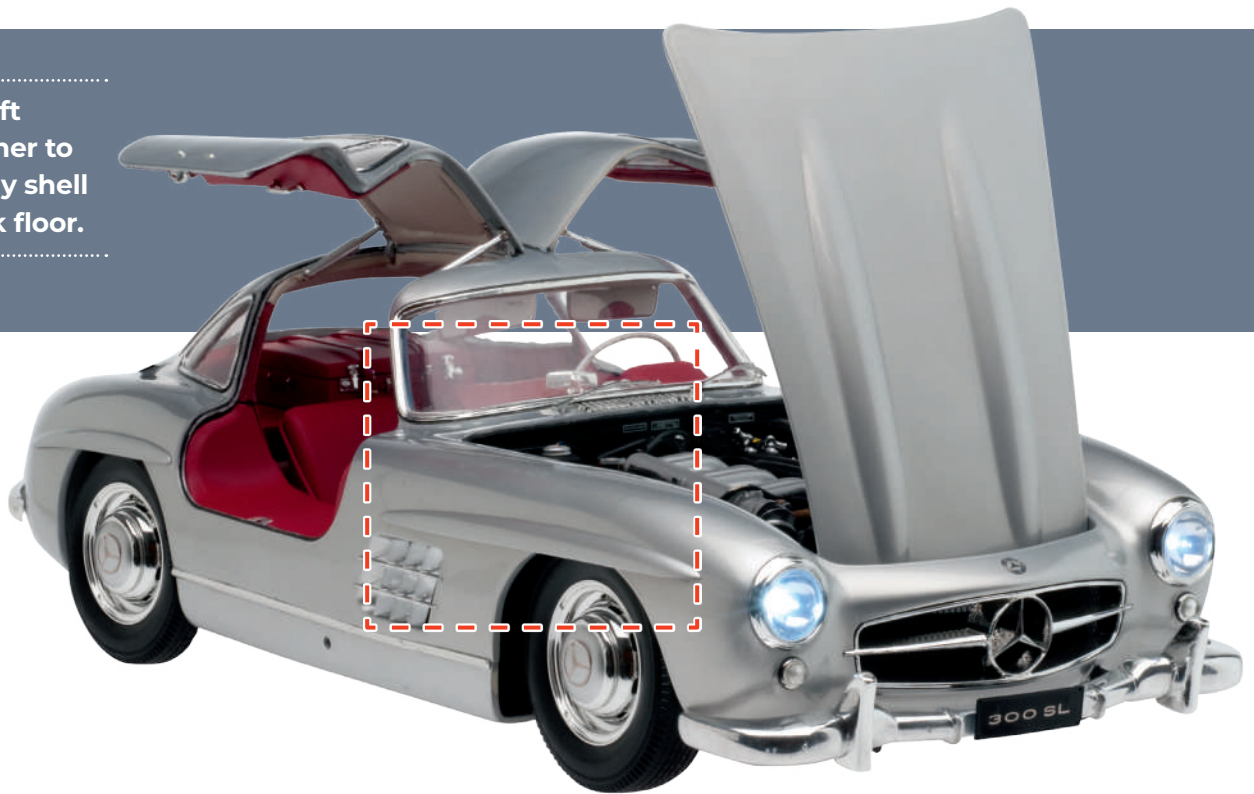
02 INSTALLING THE FRONT RIGHT ENGINE BAY LINER

Position the liners into the wheel arch, as shown. Then position the two sockets on the top of the wheel arch liner **88A**, over the two screw posts in the main body shell **56A**. Ensure that the wires for the headlights run above the liner, out of sight. Fix in place with two **CM** screws, inserted through the two holes in the wheel arch liner.



STAGE 89: THE REAR LEFT WHEEL ARCH LINER

Fit the rear left wheel arch liner to the main body shell and the trunk floor.



STAGE 89 - REQUIRED PARTS

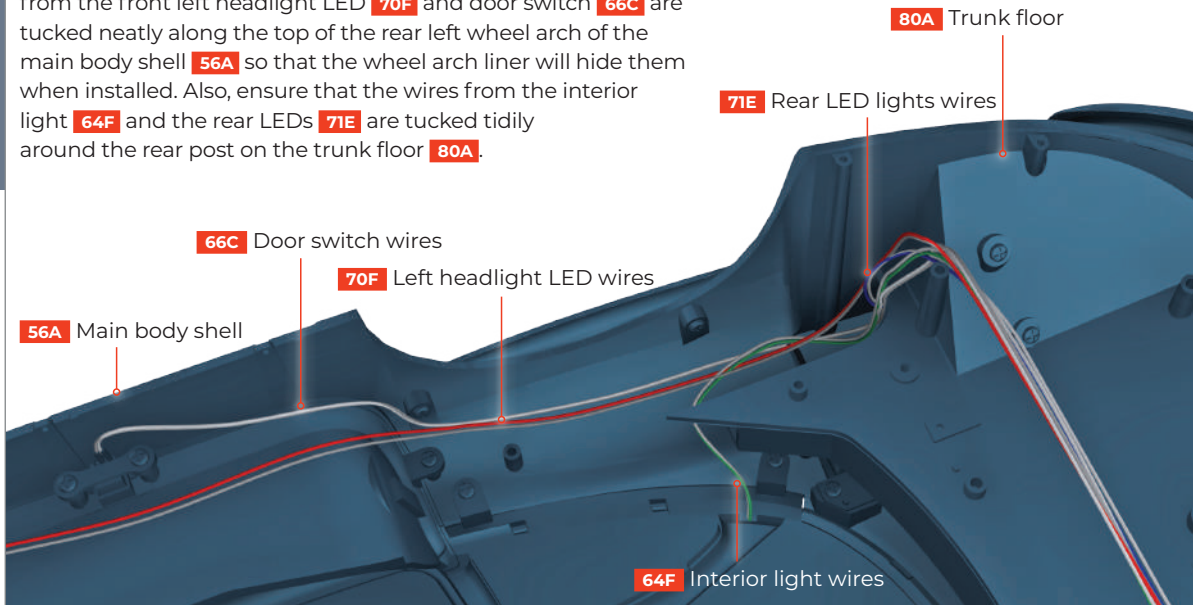
Code	Name	Quantity	Material
89A	Rear left wheel arch liner	1	ABS
CM	Screws 2 x 4mm	2 + 1*	Iron
HP	Screws 2 x 4mm	2 + 1*	Iron

* Replacement screws included



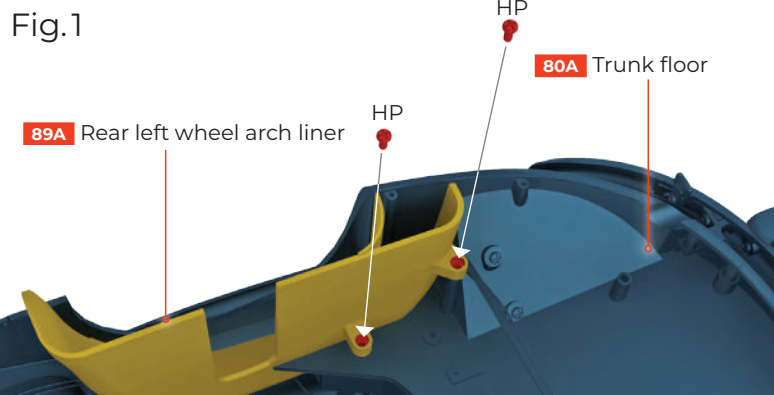
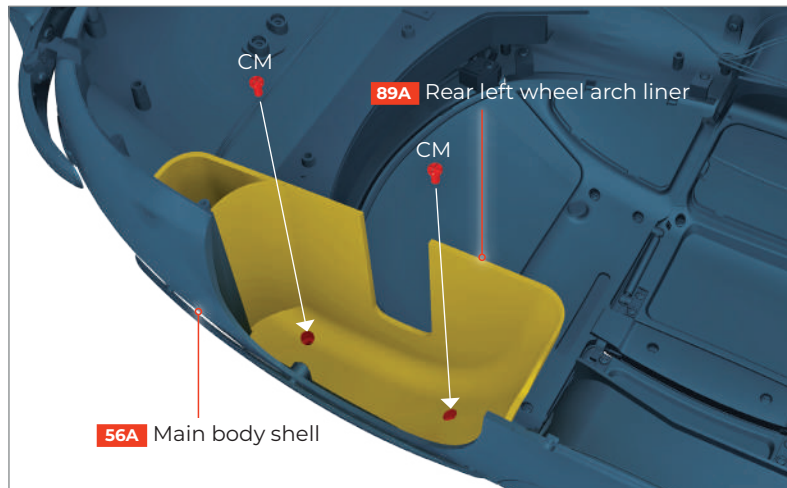
01 TIDYING THE WIRES

With the main body shell upside down, ensure that the wires from the front left headlight LED **70F** and door switch **66C** are tucked neatly along the top of the rear left wheel arch of the main body shell **56A** so that the wheel arch liner will hide them when installed. Also, ensure that the wires from the interior light **64F** and the rear LEDs **71E** are tucked tidily around the rear post on the trunk floor **80A**.



02 INSTALLING THE REAR LEFT WHEEL ARCH LINER

Fit the rear left wheel arch liner **89A** over the two posts at the top of the rear left wheel arch of the main body shell **56A**, ensuring that the wires run behind the posts. Fix it in place with two **CM** screws. Then fix the inside of the liner to the two posts on the underside of the trunk floor **80A** with two **HP** screws (figure 1).



Work on a soft cloth to avoid scratching the paintwork.

STAGE 90: THE REAR RIGHT WHEEL ARCH LINER

Fit the rear right wheel arch liner to the main body shell and the trunk floor, then secure and connect all the wiring and fix the main body shell to the main chassis.



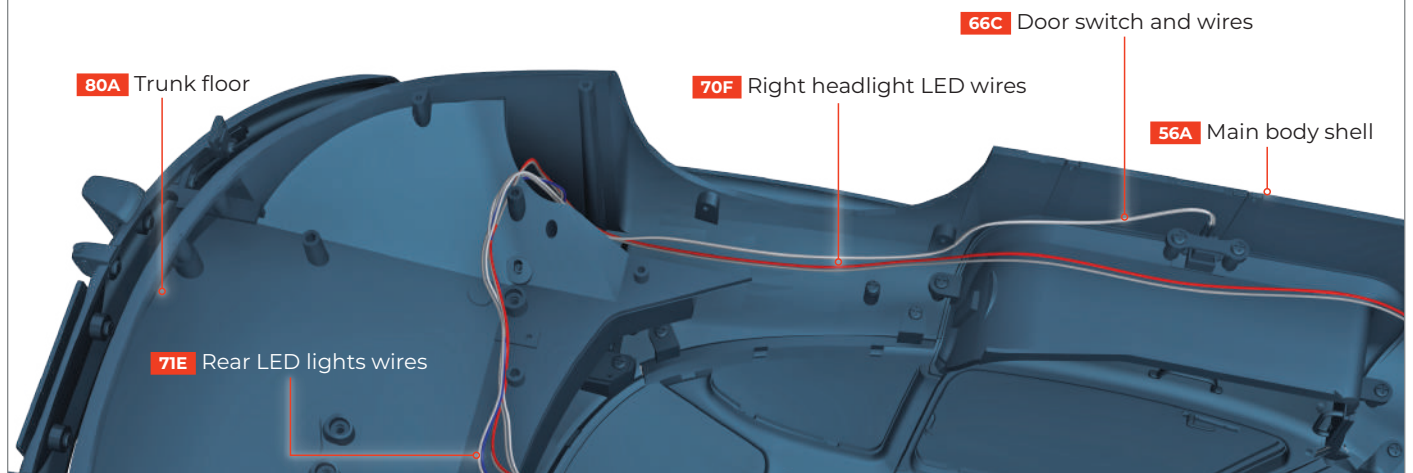
STAGE 90 - REQUIRED PARTS

Code	Name	Quantity	Material
90A	Rear right wheel arch liner	1	ABS
90B	Cable clip	2	ABS
90C	Cable tie	1	Nylon
CM	Screws 2 x 4mm	4 + 1*	Iron
HP	Screws 2 x 4mm	4 + 2*	Iron
PP	Screws 2.6 x 4mm	4 + 2*	Iron

* Replacement screws included

01 TIDYING THE WIRES

Turn the main body shell upside down. Ensure that the wires from the front right headlight **70F** and door switch and wires **66C** are tucked neatly along the top of the rear right wheel arch so that the wheel arch liner will hide them when fitted. Also, ensure that the wires from the rear lights **71E** are tucked tidily around the rear post on the trunk floor **80A**.



02 INSTALLING THE REAR RIGHT WHEEL ARCH LINER

Fit the rear right wheel arch liner **90A** over the two posts at the top of the rear right wheel arch of the main body shell **56A**, ensuring that the wires run behind the posts. Fix it in place with two **CM** screws. Fix the inside of the liner to the two posts on the underside of the trunk floor **80A** with two **HP** screws (figure 1).

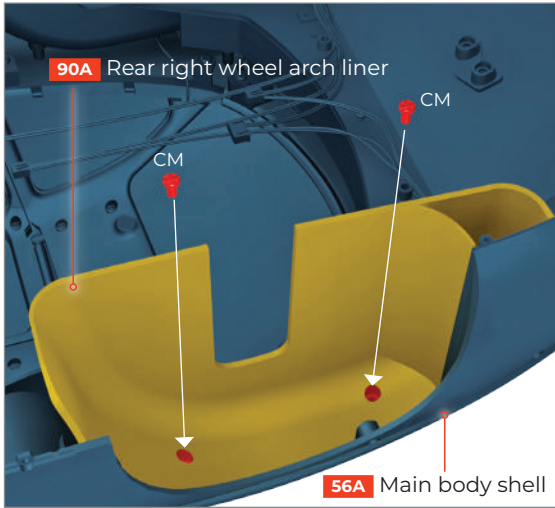
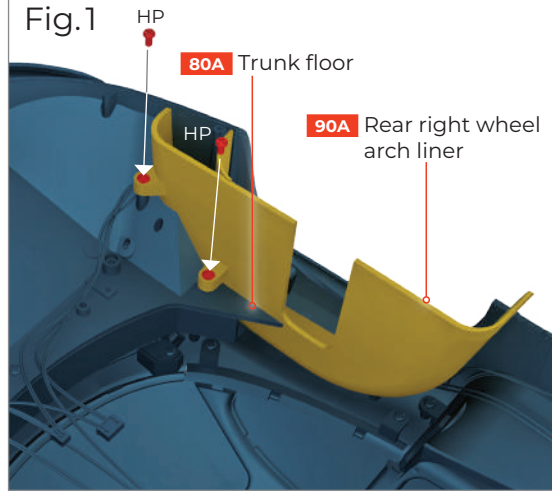


Fig.1



03 FITTING THE CABLE CLIPS

Fit one of the cable clips **90B** over all the wires on the left side of the model and use an **HP** screw to secure the clip to the left side of the trunk floor **80A** in the position shown. Repeat to fit the second cable clip **90B** over the wires on the right side and fix it with an **HP** screw (figure 1).

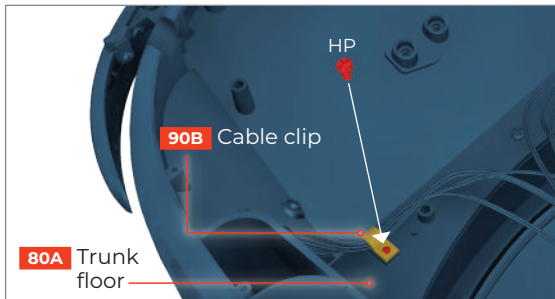
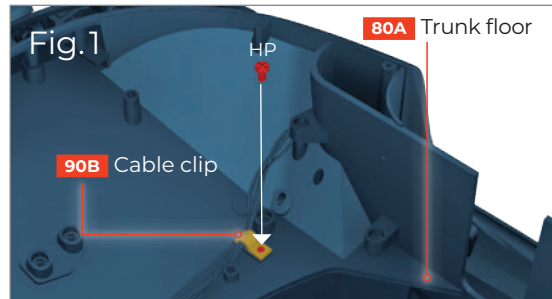
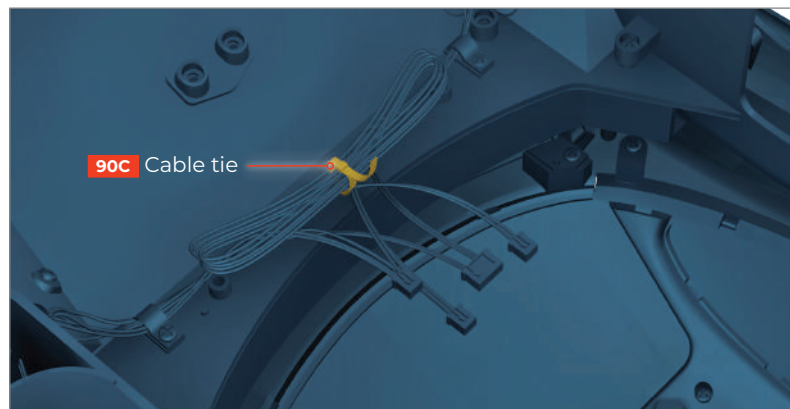


Fig.1



04 USING THE CABLE TIE

Gather together all the wires at the center and strap them in a neat bunch using the cable tie **90C**.



Work on a soft cloth to avoid scratching the paintwork.

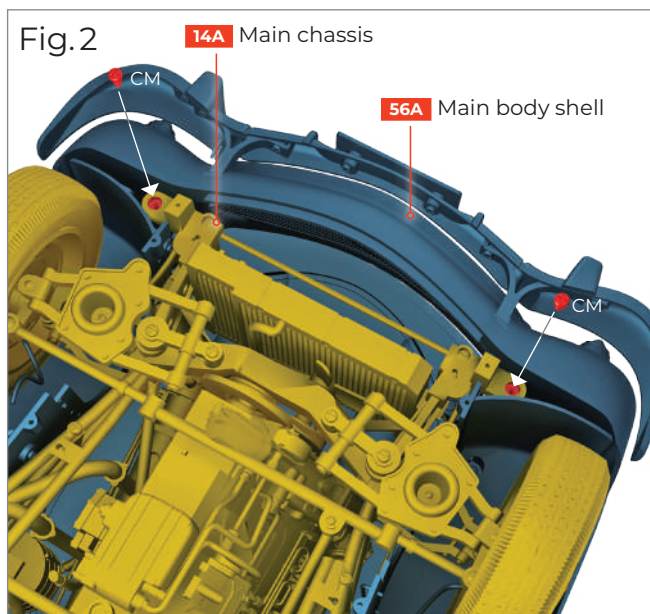
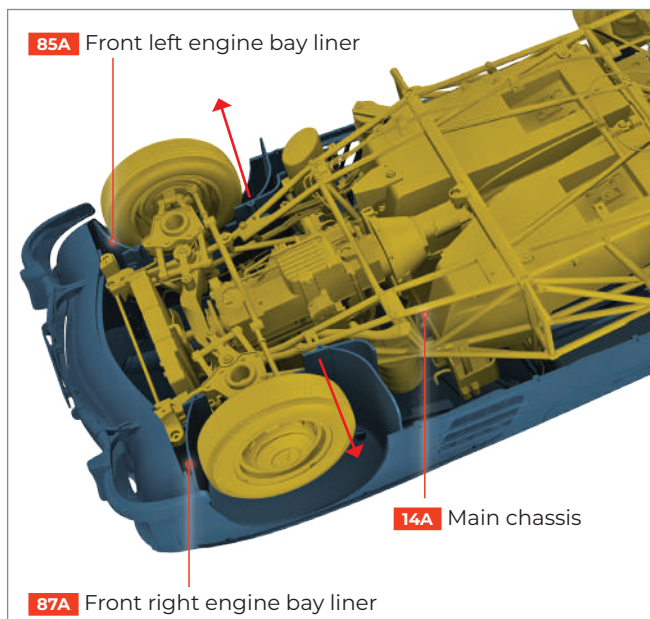
STAGE 90: THE REAR RIGHT WHEEL ARCH LINER

05 FITTING THE CHASSIS INTO THE BODY SHELL

CAUTION: This is a delicate operation, do not use too much force to avoid breaking fragile parts.

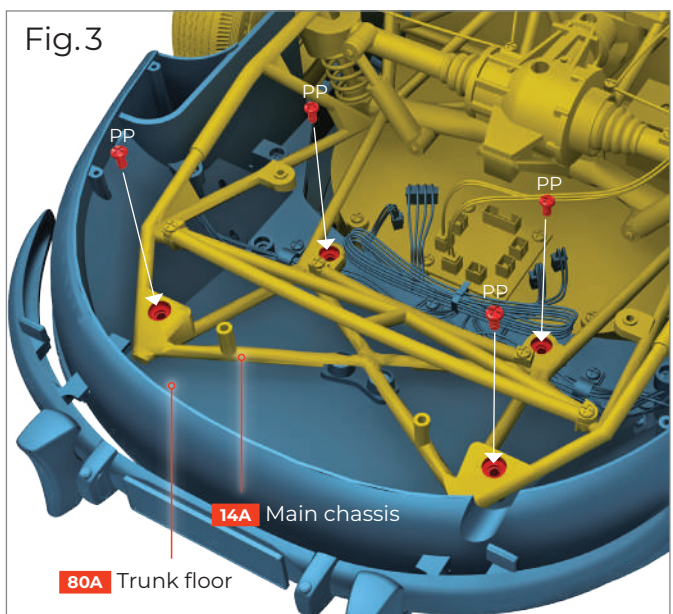
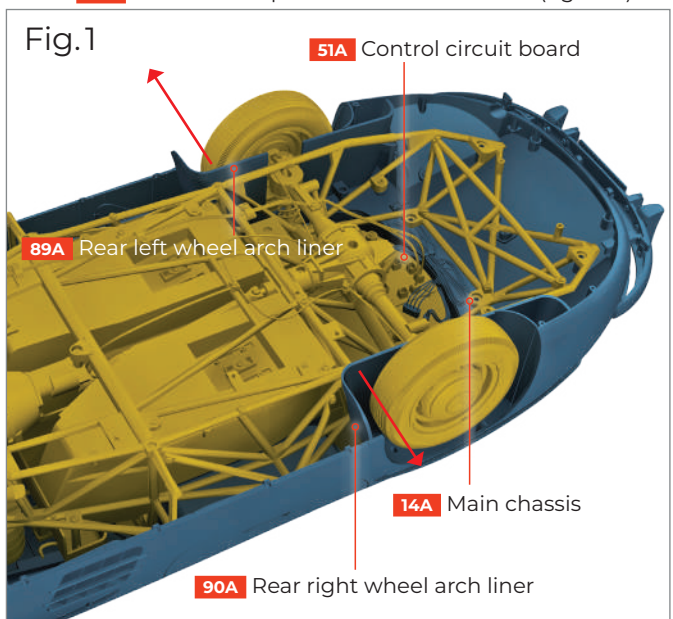
With all the parts upside down, take the chassis assembly that you completed at stage 51 and lower it very carefully into the body shell. Handle it by holding the metal parts, and following these steps, in order:

First, gently slide the front end of the main chassis **14A** and engine assembly into the engine bay of the body shell. As you carefully lower the engine into position, ensure that all its delicate attachments fit inside the engine bay liners **85A** and **87A**. **Note:** It might help to gently bend the engine bay liners outwards at the same time as you lower the main chassis into position.



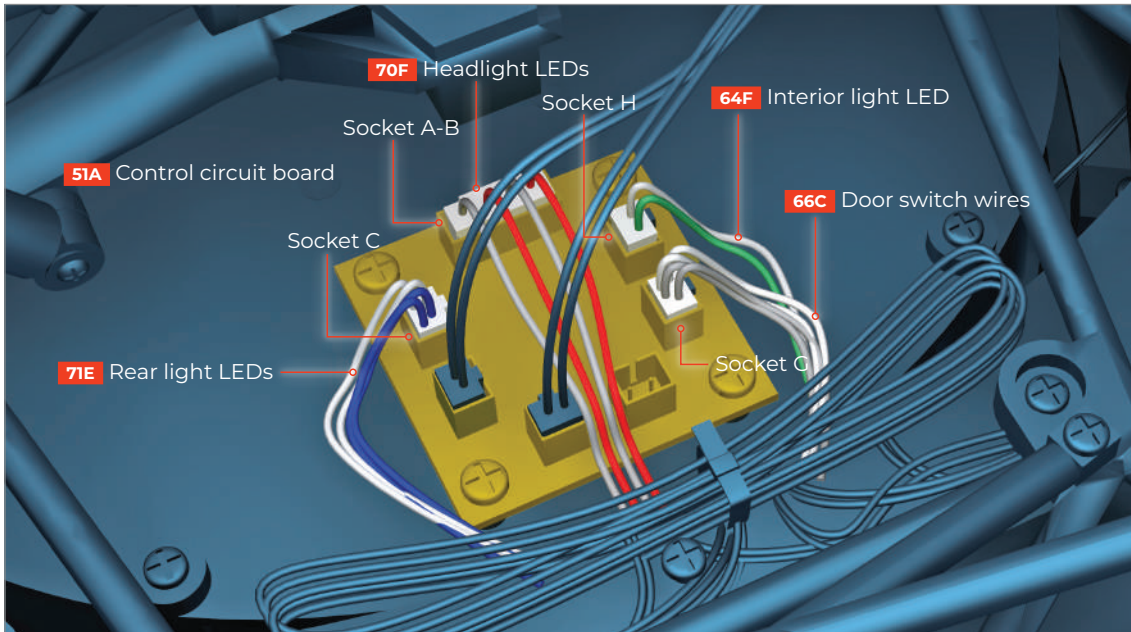
Then, lower the rear end of the main chassis **14A** into the main body shell **56A**. Ensure that the red luggage compartment outer panel **43A** inserts just above the rear wheel arch liners **89A** and **90A**. **Note:** It might help to gently bend the rear wheel arch liners outwards at the same time as you insert the rear end of the chassis. Ensure that no wires are trapped between the fixing tabs and the trunk floor, and that the cables are all long enough for the plugs to reach their sockets on the control circuit board **51A** (figure 1).

When you are sure that the chassis is properly seated inside the body shell, position the two front connecting flanges over their corresponding screw posts. Fix them in place with two **CM** screws in the positions shown (figure 2). Locate the rear of the chassis into place over the four screw posts in the floor of the trunk **80A** and fix it into place with four **PP** screws (figure 3).



06 CONNECTING THE WIRES

- Now plug all the wires into the control circuit board **51A** in the following order:
 - Plug the grey and white wires from the door switch wires **66C** into socket G.
 - Plug the red and grey wires from the headlight LEDs **70F** into the 4-pin socket A-B.
 - Plug the blue and white wires from the rear light LEDs **71E** into socket C.
 - Plug the green and white wires from the interior light LED **64F** into socket H.



07 FITTING THE FRONT BRAKE LINES

- Using tweezers, push the free end of the front left brake pipe **02D** coming from the brake support plate into the hole in the front left engine bay liner **85A** in the position shown. Then push the free end of the front right brake pipe **21D** coming from the brake backplate into the hole in the front right engine bay liner **87A** in the position shown (figure 1).

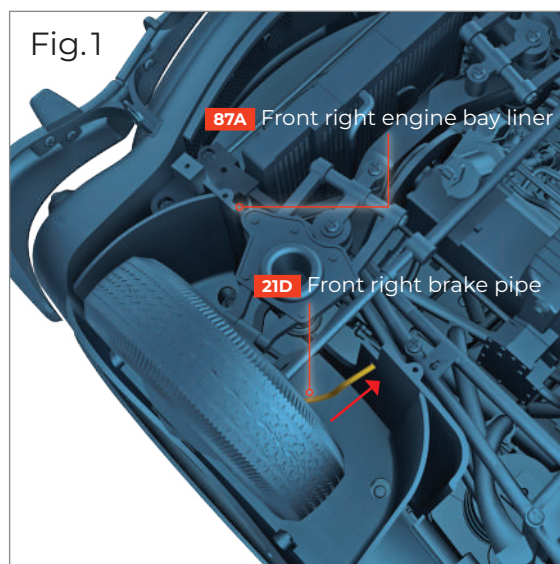
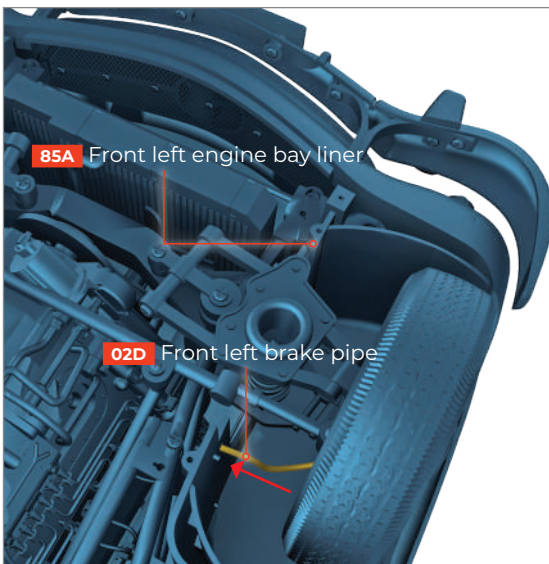


Fig.1