

**NO
TIME
TO
DIE** *007™*

DB5



Pack 08

BUILD INSTRUCTIONS

**STAGE 058: BUILDING THE ENGINE BAY
RIGHT WALL**

STAGE 059: BUILDING THE FIREWALL

**STAGE 060: BUILDING THE ENGINE BAY
LEFT WALL**

**STAGE 061: FITTING THE SPEAKER
AND RADIATOR HEADER TANK**

**STAGE 062: FITTING THE IGNITION COIL
AND PIPES**

**STAGE 063: FITTING THE AIR FILTER,
MOUNTING THE ENGINE AND FIXING
THE INTERIOR FLOOR**

**STAGE 064: BUILDING THE
MINE DISPENSER**

**STAGE 065: FITTING THE
MINE DISPENSER**

**STAGE 066: FITTING THE
EXHAUST PIPES**

NO TIME TO DIE © Danjaq, LLC and Metro-Goldwyn-Mayer Studios Inc. NO TIME TO DIE, *007™* and related James Bond Indicia © 1962-2024 Danjaq, LLC and Metro-Goldwyn-Mayer Studios Inc. NO TIME TO DIE, *007™* and related James Bond Trademarks are trademarks of Danjaq, LLC. All Rights Reserved.



Aston Martin, the Aston Martin Wings logo and the model name "DB5" are trademarks owned, licensed or used by Aston Martin Lagonda Limited. All Rights Reserved.

Advice from the experts

Spare screws are included with each part. Occasionally, you may be instructed to keep spare or unused screws for a later stage. Keep these spares in a safe place and label them correctly.

Please make sure you don't mix up the screws. They look quite similar, but the threads do vary slightly. Using the wrong screws may damage the parts.

When securing parts together using multiple screws, fit each screw loosely to ensure all the parts are correctly aligned before gently tightening them firmly, but not overtight, in the order in which you placed them.

The screwdriver can be magnetized by stroking it with a magnet (fridge magnet, etc.) enabling it to hold the screws and make assembly easier.

If a screw is tight going into a metal part, do not force it as you may shear the head off. Remove it and put a tiny smear of Vaseline, soap or light oil on the thread. That will lubricate it and make it easier to drive home.

During the course of this build, you will receive many pieces that you will assemble immediately – following the instructions in the corresponding stage – and other pieces that you should store safely to one side, for use in future assembly stages.

Left and Right! When building your *No Time To Die* Aston Martin DB5, the left- or right-hand side refers to that side as if you are sitting in the car.



WARNING: Some parts are assembled using magnets. These magnets can cause serious injury if they are swallowed. Keep away from children. If you suspect a magnet has been swallowed, seek medical help straight away.

Stage 058: Building the Engine Bay Right Wall

In this stage you'll begin building the engine bay, starting with the right wall.

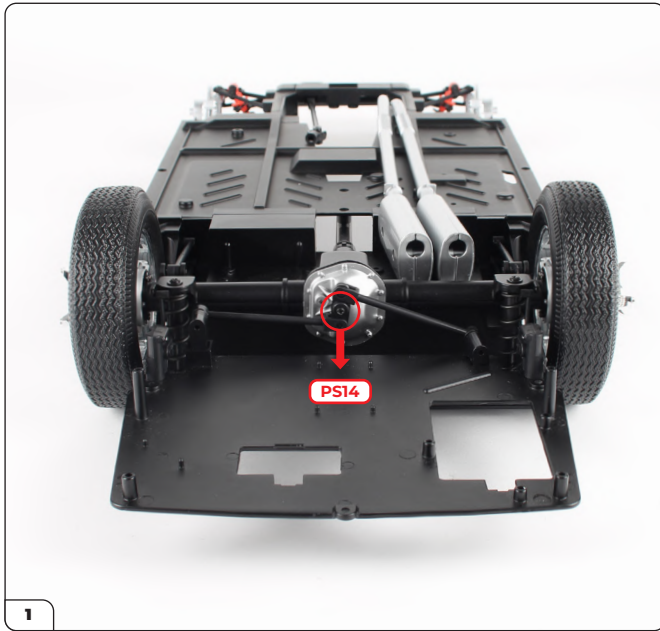


STAGE 058 PARTS LIST

Name
58-A Engine bay right wall
58-B Brake servo mount
58-C Brake servo
58-D Pipe
58-E Pipe T-connector
58-F J-connector
PS05 screws x2
PS11 screws x3

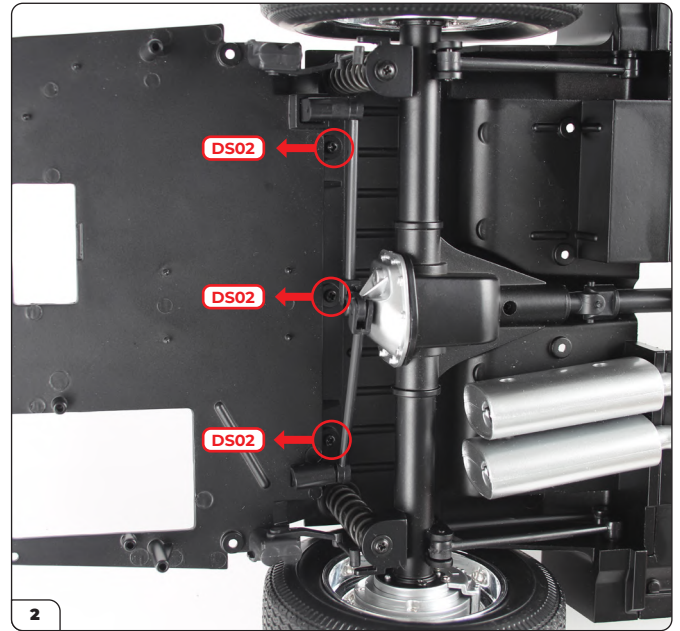


Stage 058: Building the Engine Bay Right Wall

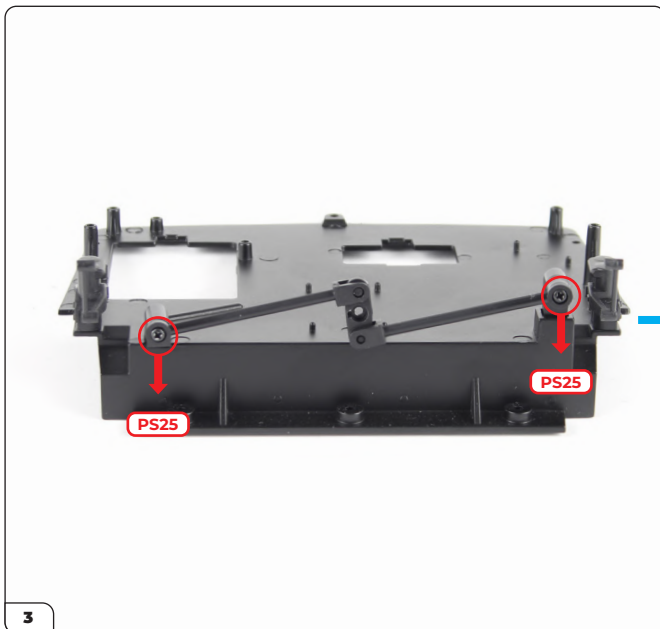


ADJUSTING THE REAR SUSPENSION

Before starting to assemble this stage, an adjustment will be made to the rear suspension that was constructed in stage 035. Start by removing the PS14 screw from the stabiliser bar connection and set it aside.



Remove the three DS02 screws from the rear chassis and set them aside, then remove the rear chassis assembly.



The stabiliser bars need to swap positions. Remove the two PS25 screws and set them aside, then remove the stabiliser bars. The green arrows show the new positions of the bars.

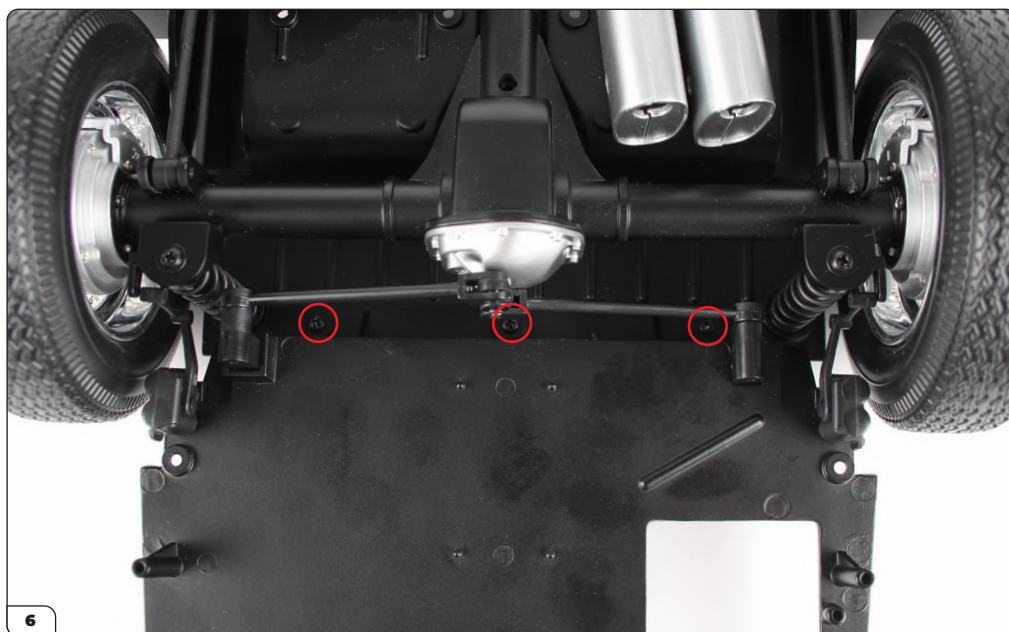
Stage 058: Building the Engine Bay Right Wall



Fit the stabiliser bars onto the mounts, positioning them as shown. Secure them with the two PS25 screws removed in step 3 (circled).

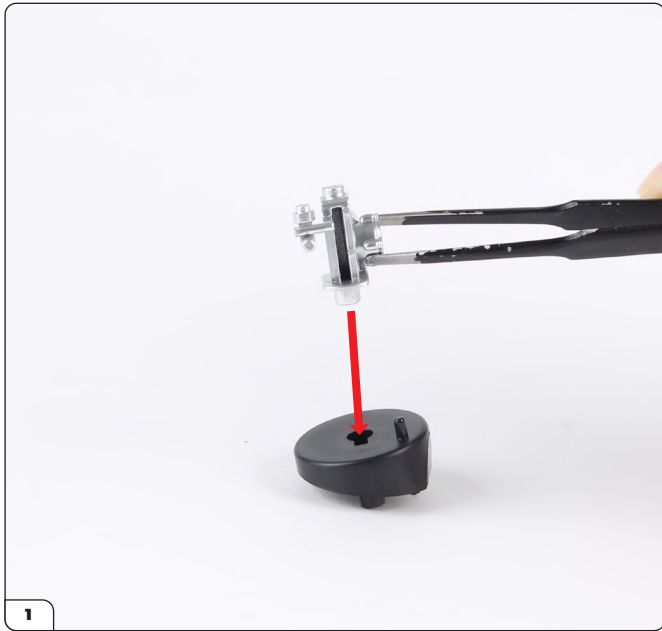


Fit the rear chassis back in place. Position the stabiliser bar connection as shown then secure it with the PS14 screw removed in step 1 (circled).



Finish securing the rear chassis using the three DS02 screws removed in step 2. You are now ready to start assembly of the engine bay.

Stage 058: Building the Engine Bay Right Wall

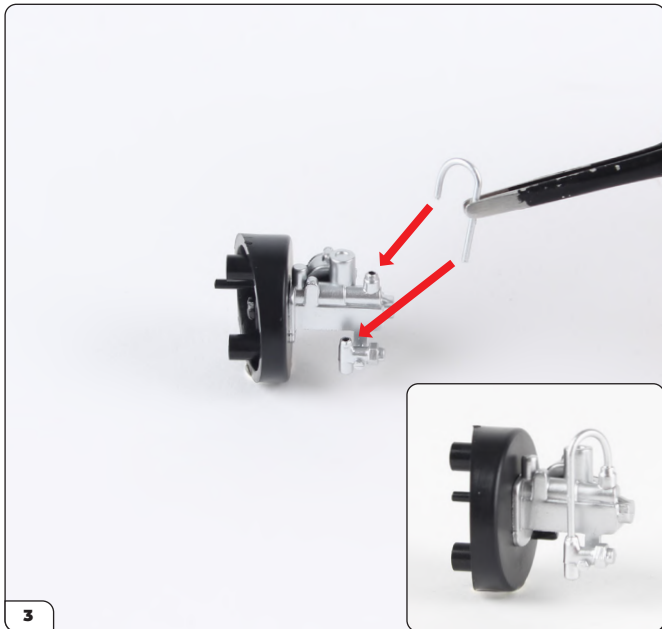


BUILDING THE ENGINE BAY

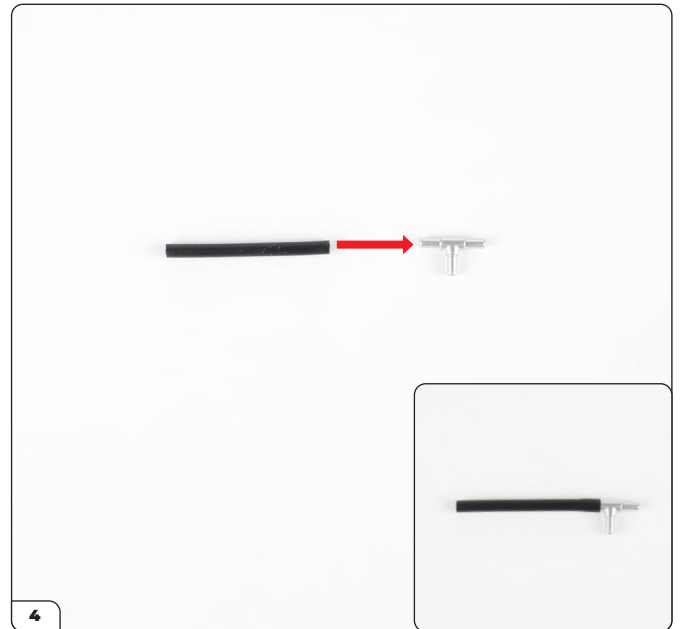
Take the brake servo (58-C) and align it with the shaped hole in the brake servo mount (58-B).



Fit the brake servo into the mount then secure it using a PS05 screw.



Fit the J-connector (58-F) into the two holes in the brake servo.



Fit the pipe (58-D) onto the end of the pipe T-connector (58-E) as shown.

Stage 058: Building the Engine Bay Right Wall



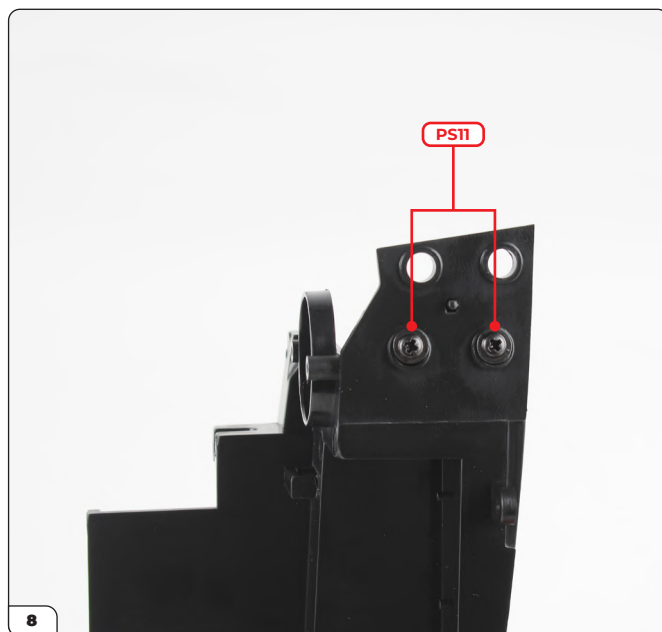
Fit the other end of the pipe onto the pin on the brake servo mount.



Take the engine bay right wall (58-A) and align it with the brake servo mount as shown.



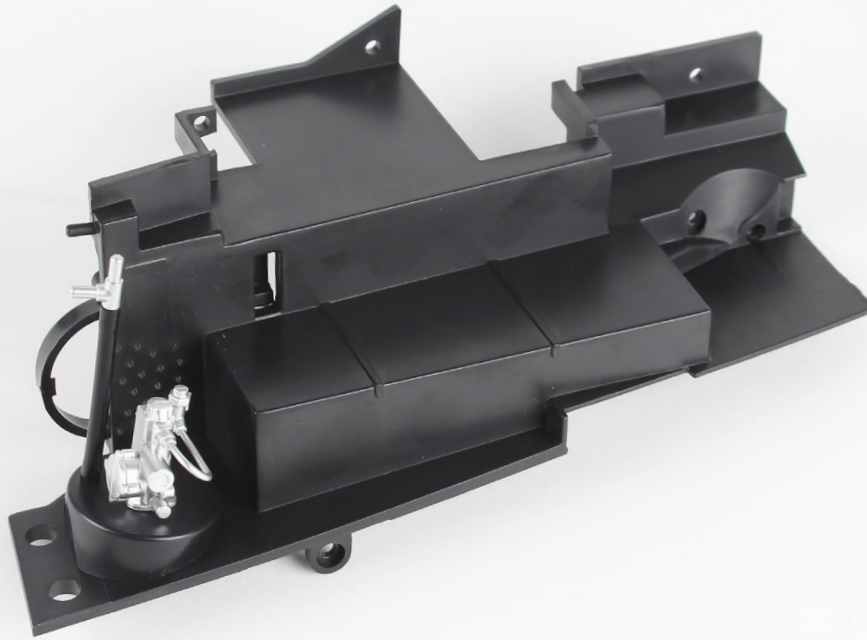
Fit the brake servo mount onto the wall.



Secure from the other side with 2x PS11 screws.

Stage 058: Building the Engine Bay Right Wall

STAGE COMPLETE



Stage 059: Building the Firewall

Continue working on the engine bay by building and fitting the firewall.

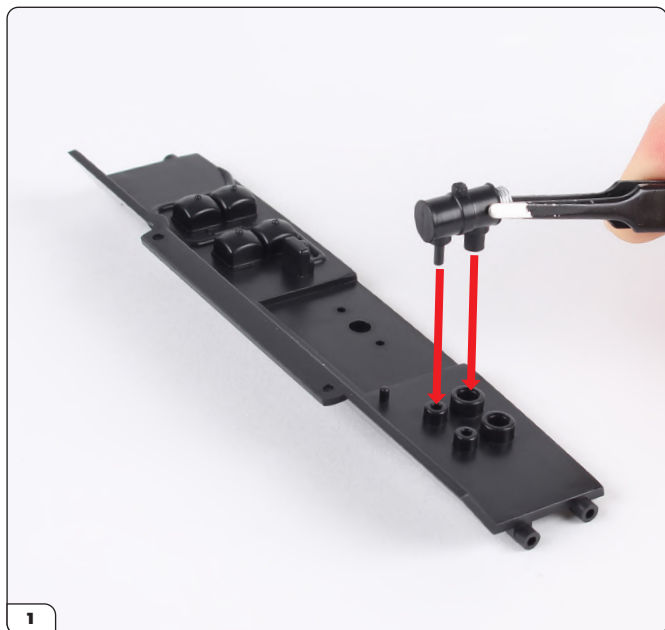


STAGE 059 PARTS LIST

Name
59-A Firewall
59-B Firewall part
59-C Brake fluid reservoir 1
59-D Brake fluid reservoir 2
59-E Reservoir cap x2
PS05 screws x4
PS11 screws x3



Stage 059: Building the Firewall



Take one of the brake fluid reservoirs (59-C or 59-D) and align it with the firewall (59-A).



Fit the reservoir in place.

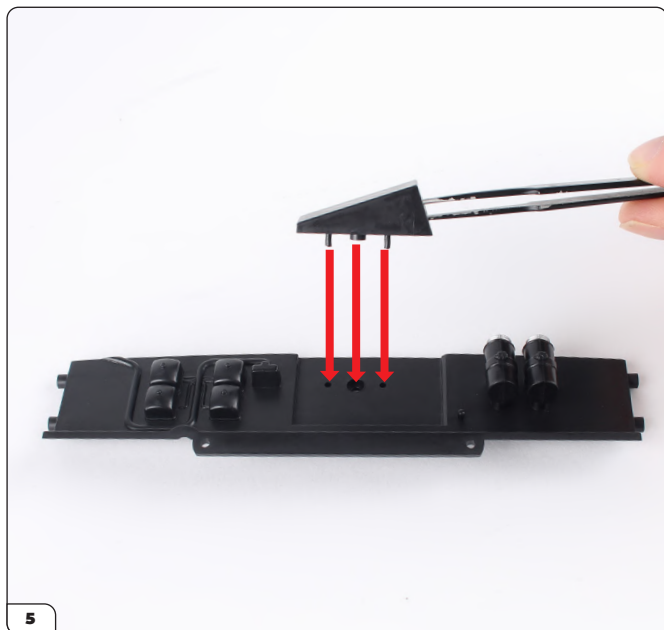


Fit the other reservoir in place in the same way. The reservoirs are identical and can be positioned in either way.



Secure the reservoirs from the other side using 2x PS05 screws.

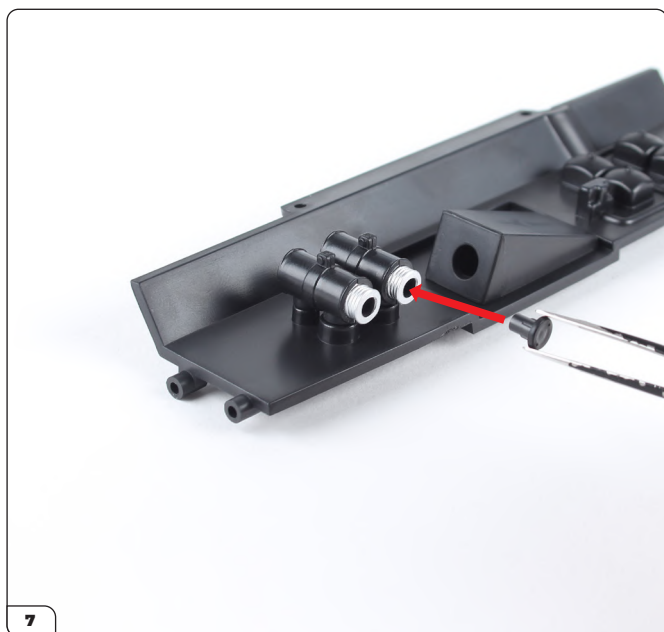
Stage 059: Building the Firewall



Align the firewall part (59-B) with the firewall.



Fit in place (inset) then secure from the other side using a PS05 screw.

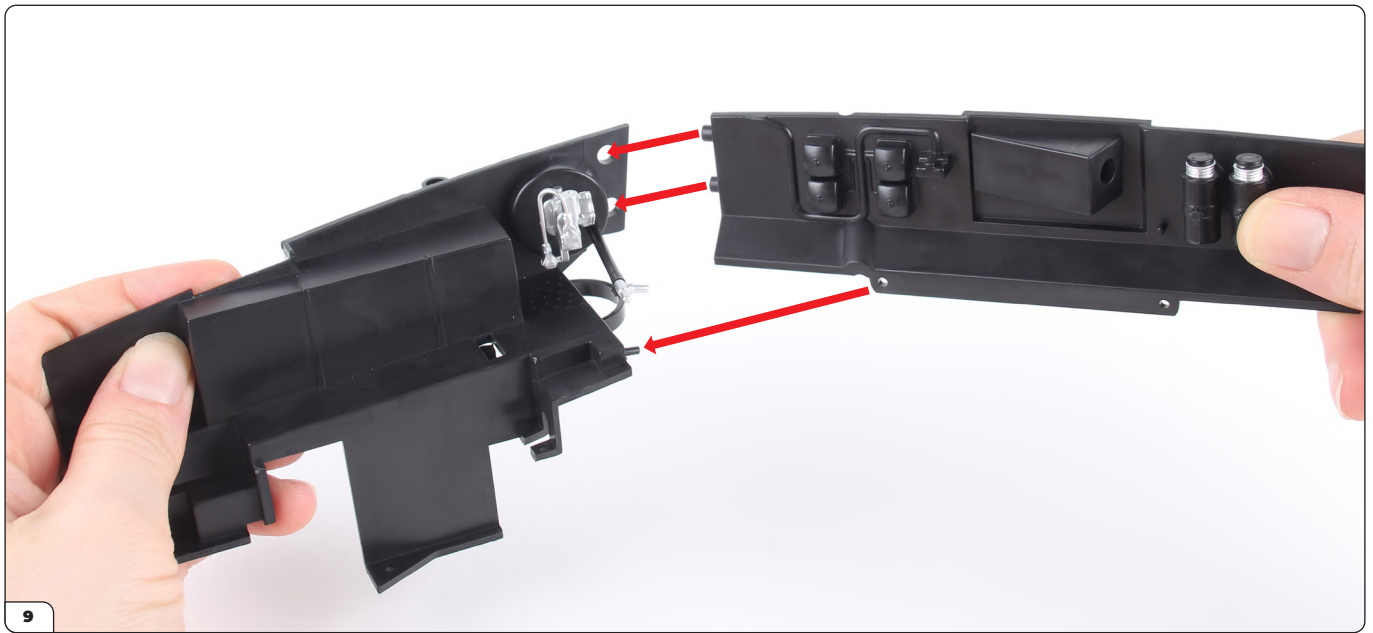


Fit one of the reservoir caps (59-D) into the end of a reservoir.



Fit the other reservoir cap in the same way.

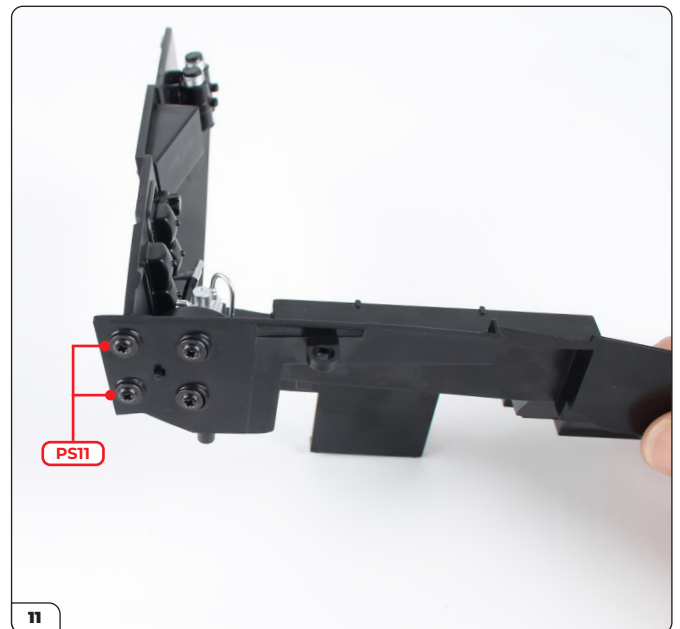
Stage 059: Building the Firewall



Align the firewall and engine bay right wall (stage 058) as shown. Note the two screw posts and pin that fit into corresponding holes.



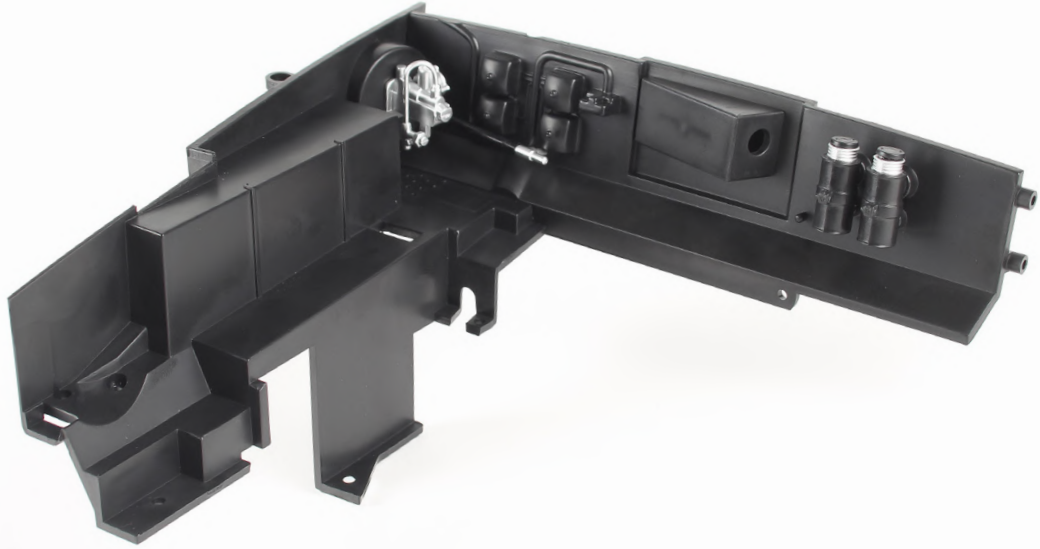
Fit the firewall in place.



Secure from the outside using 2x PS11 screws.

Stage 059: Building the Firewall

STAGE COMPLETE



Stage 060: Building the Engine Bay Left Wall

You'll now build the engine bay left wall and attach it to the firewall.

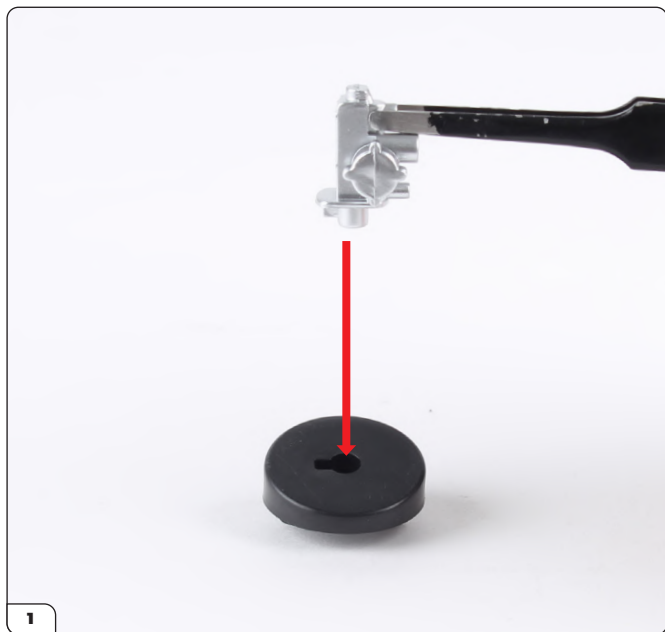


STAGE 060 PARTS LIST

Name
60-A Engine bay left wall
60-B Brake servo mount
60-C Brake servo
PS05 screws x2
PS11 screws x5



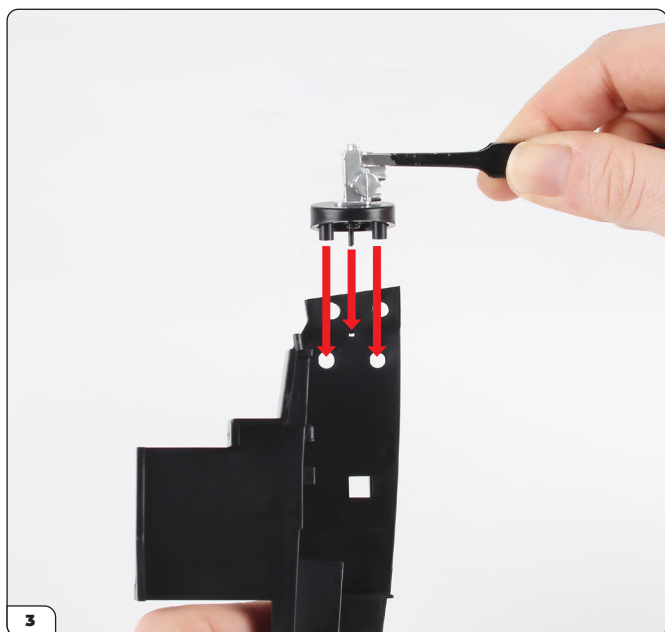
Stage 060: Building the Engine Bay Left Wall



Fit the brake servo (60-C) into the brake servo mount (60-B).



Secure from underneath with a PS05 screw.

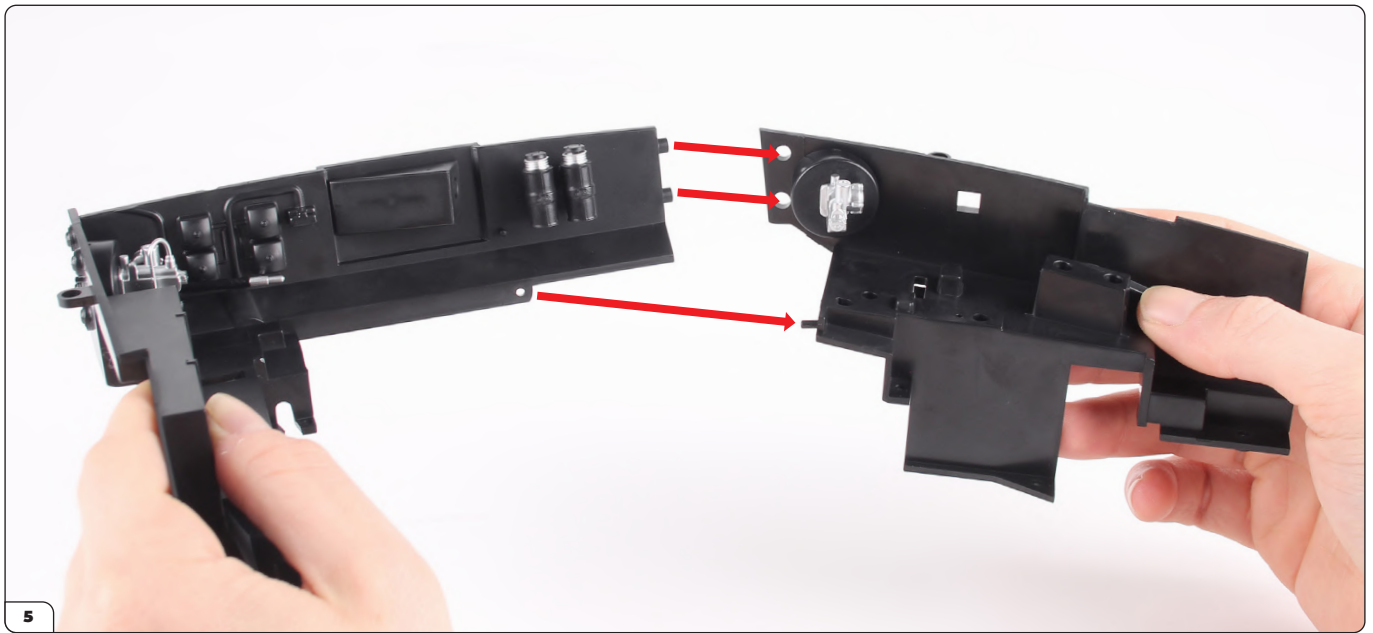


Align the brake servo mount with the engine bay left wall (60-A) and fit it in the same way as before.



Secure from the other side using 2x PS11 screws.

Stage 060: Building the Engine Bay Left Wall



Align the firewall (stage 059) with the left wall. Note the two screw posts and pin that fit into corresponding holes on the parts.



Fit the parts together as shown.



Secure from the outside using 2x PS11 screws.

Stage 060: Building the Engine Bay Left Wall

STAGE COMPLETE



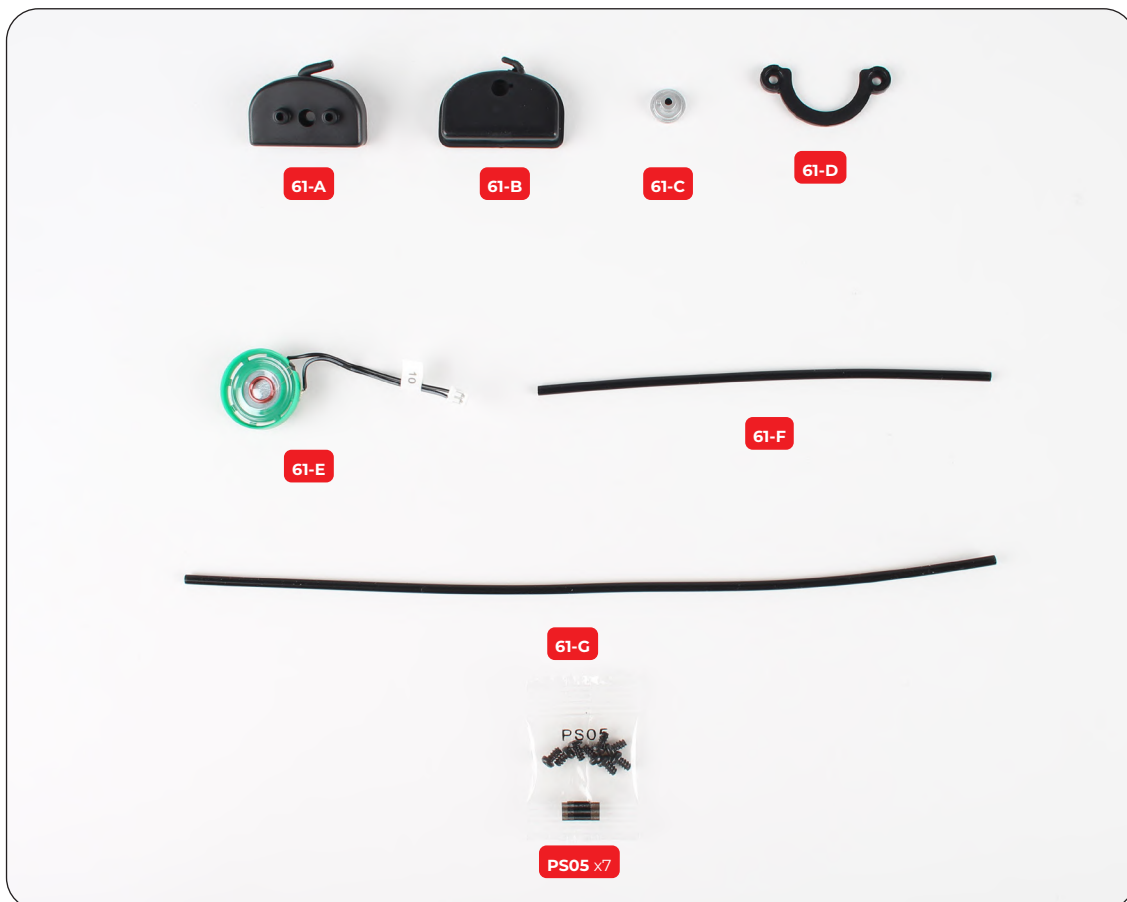
Stage 061: Fitting the Speaker and Radiator Header Tank

With the engine bay built, you'll now fit the speaker and radiator header tank to it.

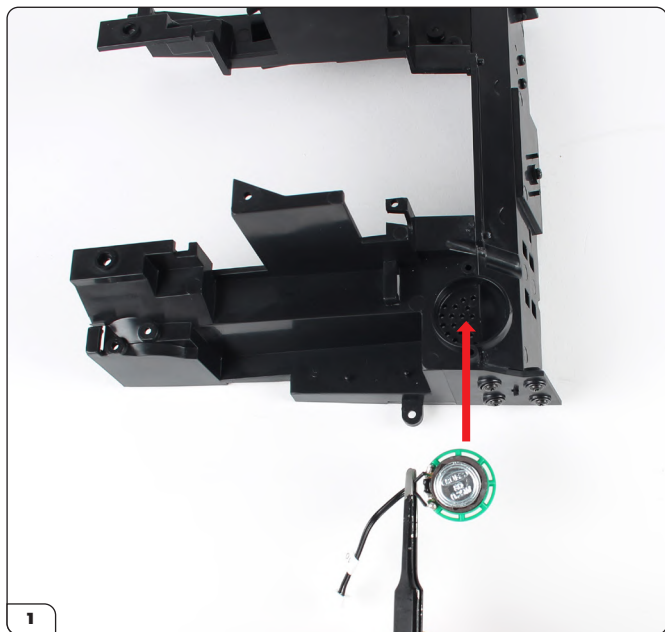


STAGE 061 PARTS LIST

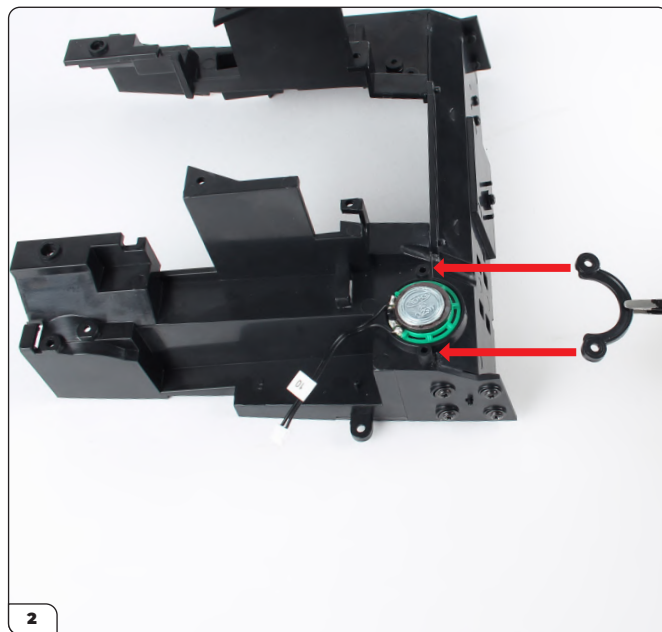
Name
61-A Radiator header tank (part 1)
61-B Radiator header tank (part 2)
61-C Radiator header tank cap
61-D Speaker holder
61-E Speaker
61-F Short pipe
61-G Long pipe
PS05 screws x7



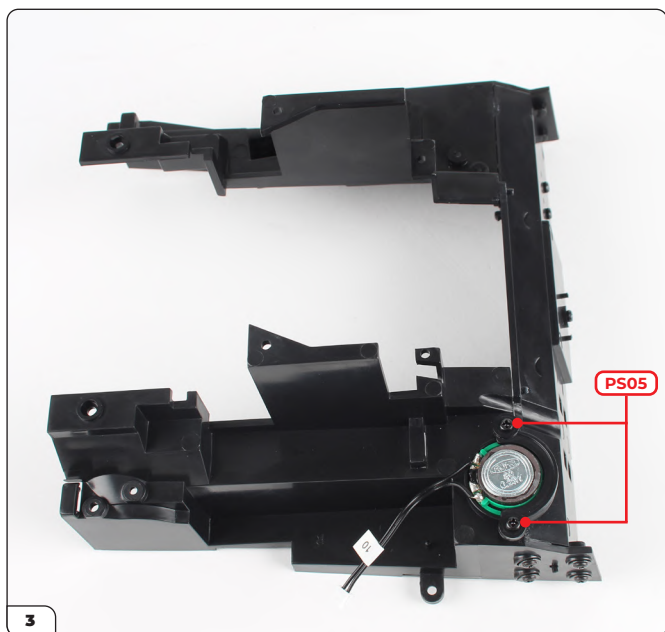
Stage 061: Fitting the Speaker and Radiator Header Tank



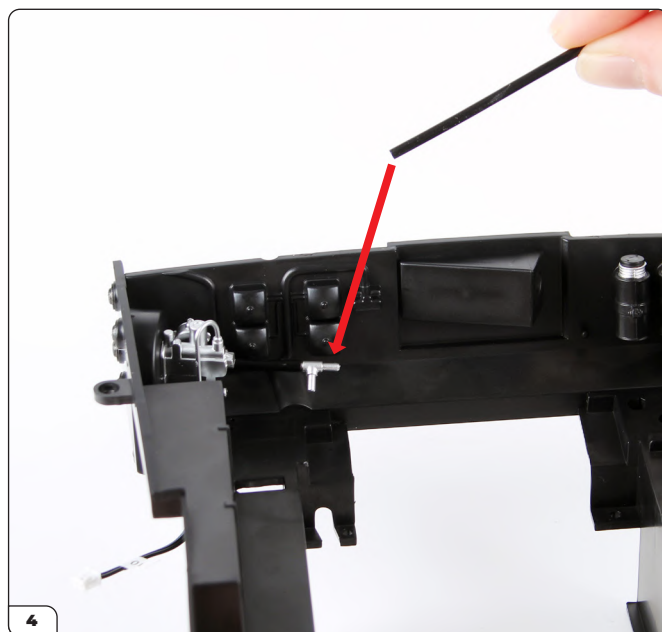
Align the speaker (61-E) with the engine bay assembly (stage 060) as shown then fit it into the recessed area.



Fit the speaker holder (61-D) onto the two screw posts and over the speaker.

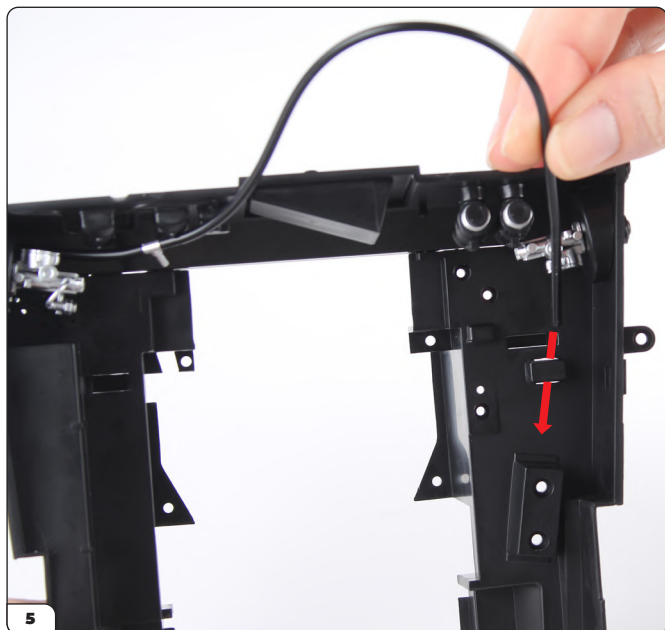


Secure the holder with 2x PS05 screws.



Turn the assembly over. Take the long pipe (61-G) and fit one end onto the T-connector.

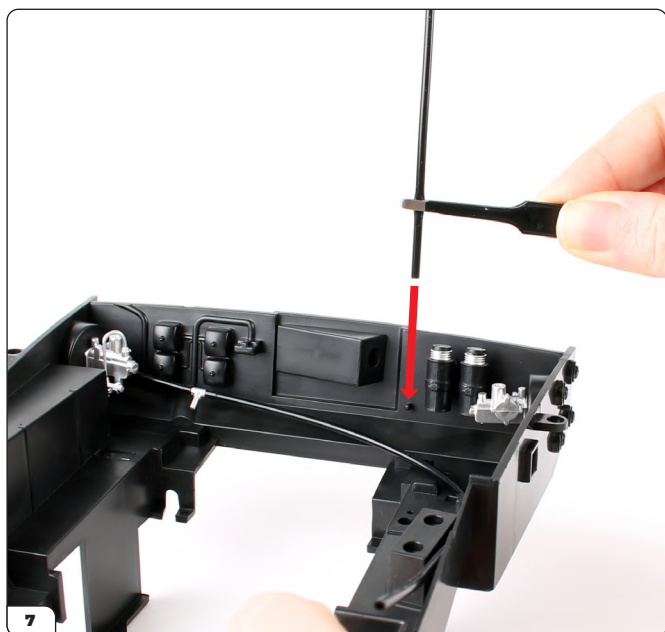
Stage 061: Fitting the Speaker and Radiator Header Tank



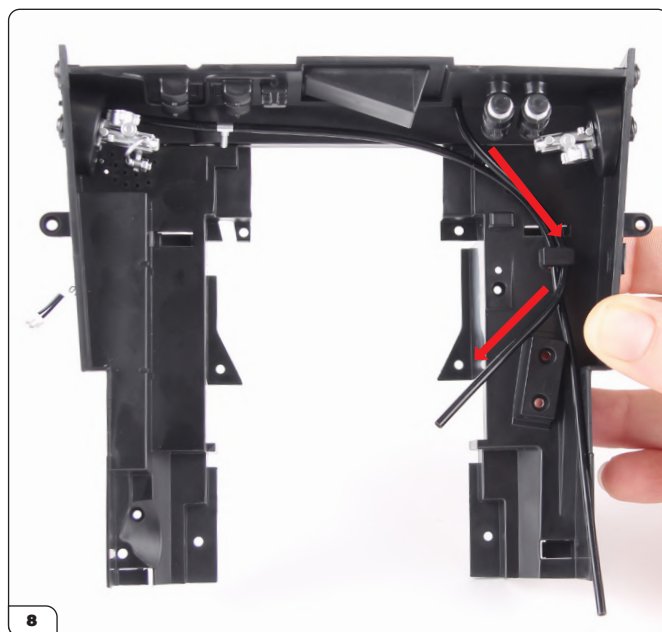
Thread the other end through the opening on the opposite side of the engine bay.



Position the pipe between the outer wall and rectangular mount as shown.



Take the short pipe (61-F) and fit one end onto the pin on the firewall.



Thread the end of the pipe through the same opening and position it on the opposite side of the rectangular mount.

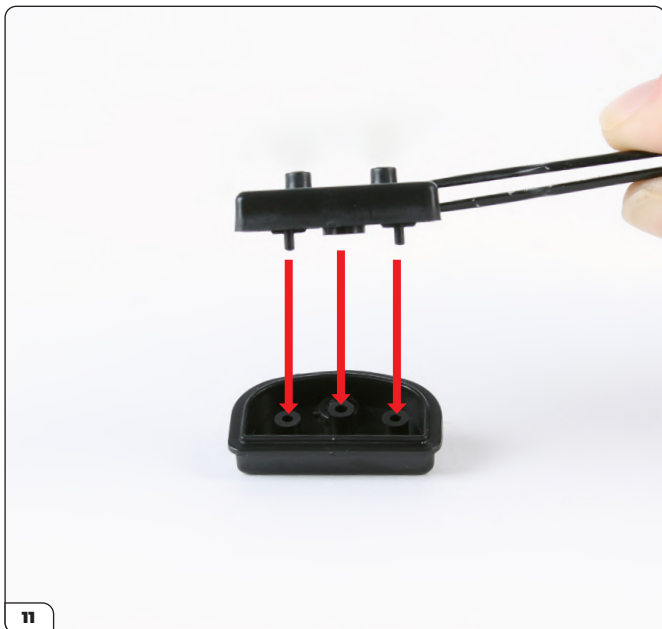
Stage 061: Fitting the Speaker and Radiator Header Tank



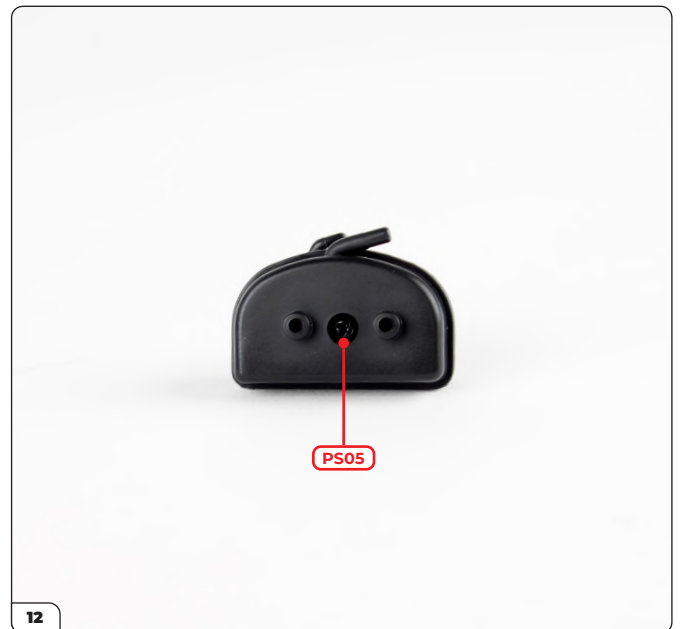
Take the radiator header tank (part 2, 61-B) and fit the tank cap (61-C) into the shaped hole.



Secure from underneath with a PS05 screw.

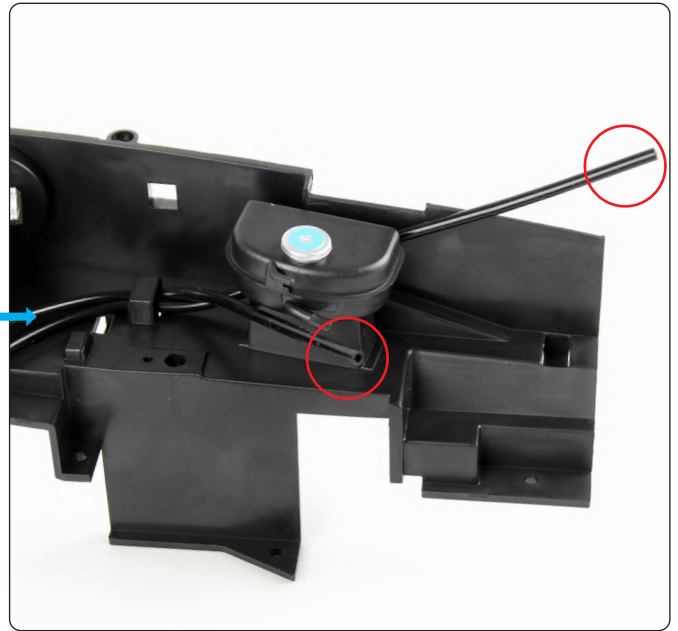
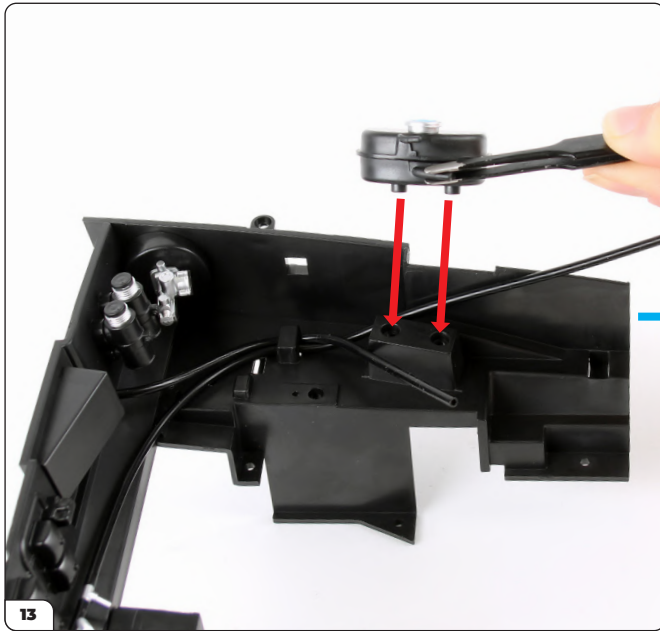


Fit the tank (part 1, 61-A) in place.

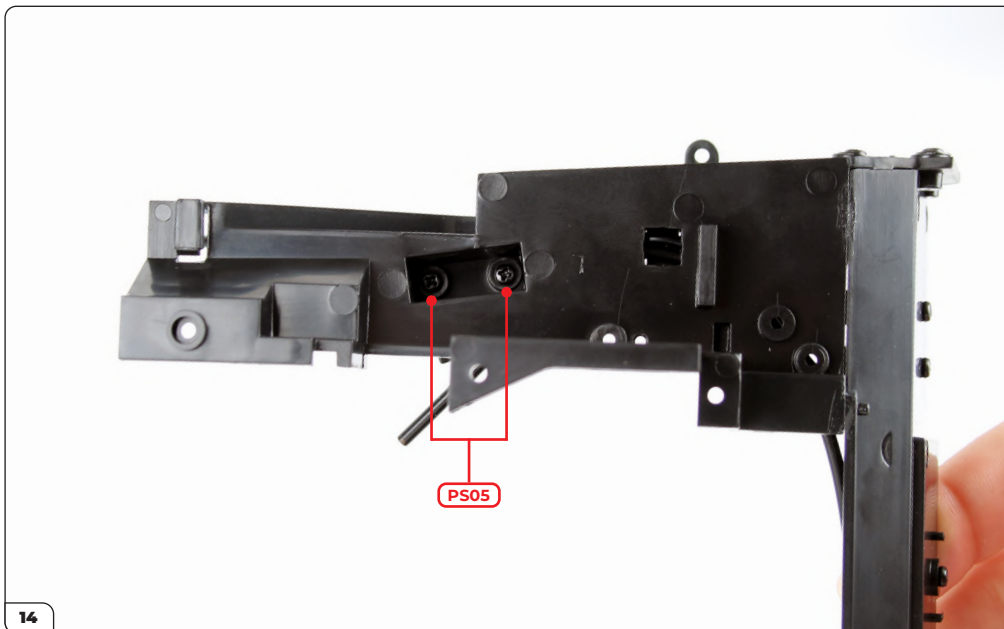


Secure with a PS05 screw.

Stage 061: Fitting the Speaker and Radiator Header Tank



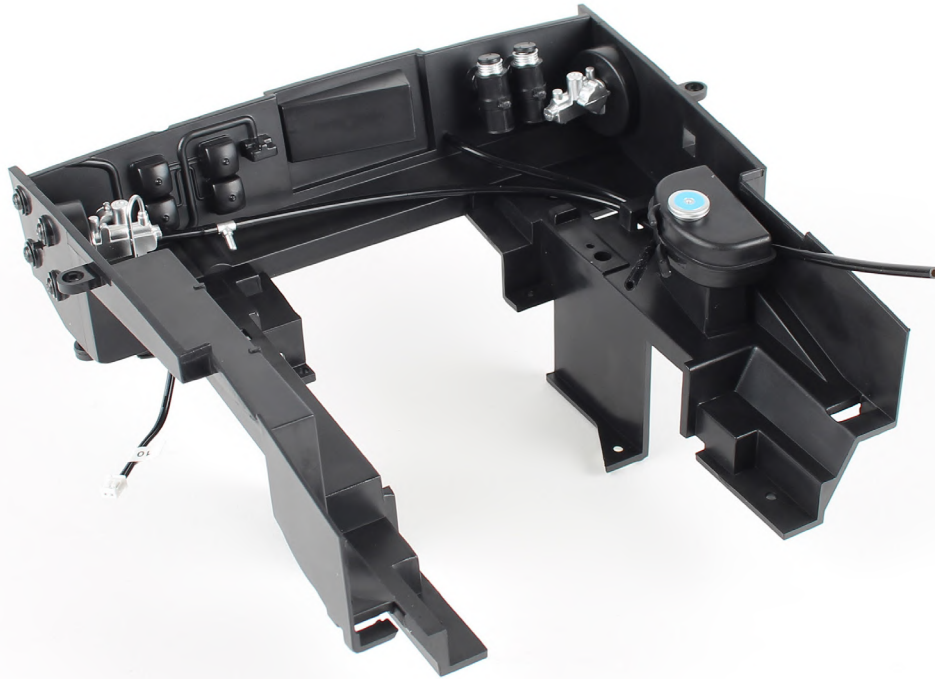
Align the radiator header tank with the rectangular mount then fit it in place as shown. Note that the long and short pipes should remain either side of the rectangular mount (circled).



Secure from underneath with 2x PS05 screws.

Stage 061: Fitting the Speaker and Radiator Header Tank

STAGE COMPLETE



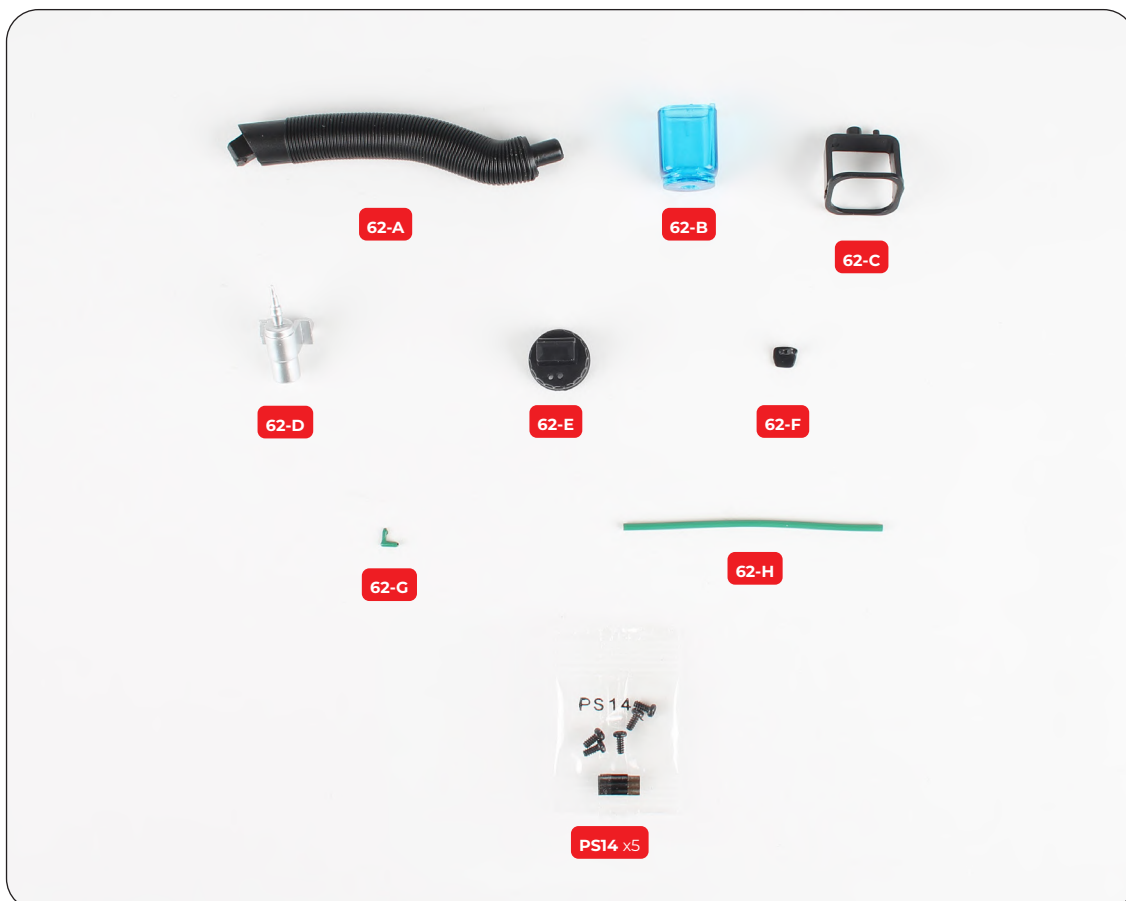
Stage 062: Fitting the Ignition Coil and Pipes

You'll continue working on the engine bay by fitting the ignition coil, windscreen washer bottle and pipes.



STAGE 062 PARTS LIST

Name
62-A Air trunk
62-B Washer bottle
62-C Washer bottle holder
62-D Ignition coil
62-E Washer bottle lid
62-F Washer bottle lid part
62-G Green pipe L-connector
62-H Green pipe
PS14 screws x5



Stage 062: Fitting the Ignition Coil and Pipes



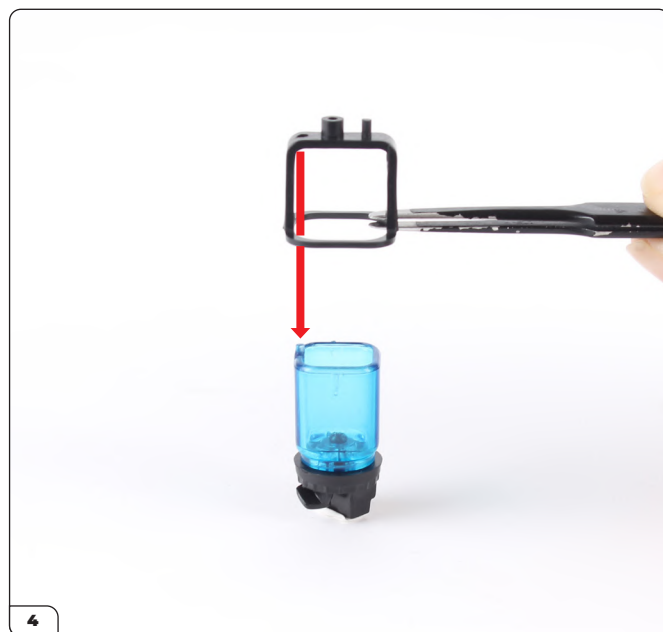
Take the washer bottle lid (62-E) and fit the part (62-F) into the two small holes. The holes are different sizes to ensure the correct fit.



Fit the lid into the shaped hole on the washer bottle (62-B).



Secure the lid from inside with a PS14 screw.

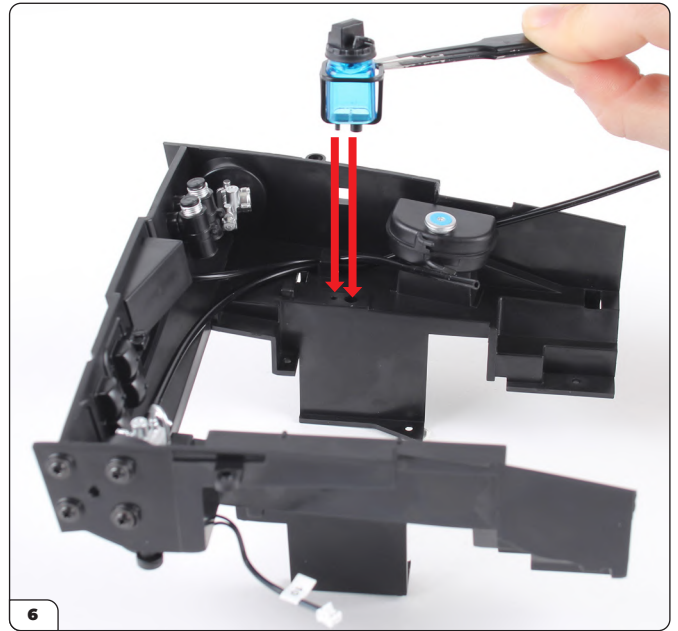


Align the small hole on the washer bottle holder (62-C) with the pin on the washer bottle.

Stage 062: Fitting the Ignition Coil and Pipes



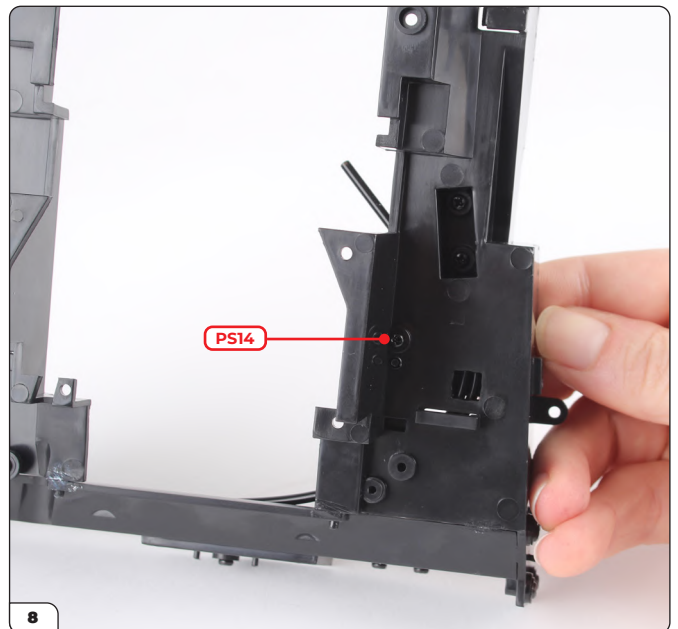
Fit the holder onto the washer bottle.



Align the washer bottle holder pin and screw post with the corresponding holes in the engine bay assembly (stage 061).

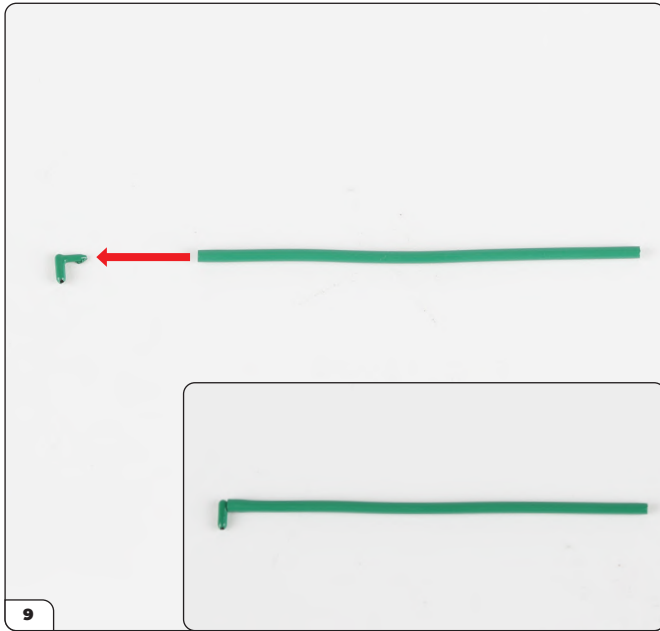


Fit the holder in place. Note that the washer bottle will be loose even after fixing the holder. You may prefer to keep it in a safe place for now.

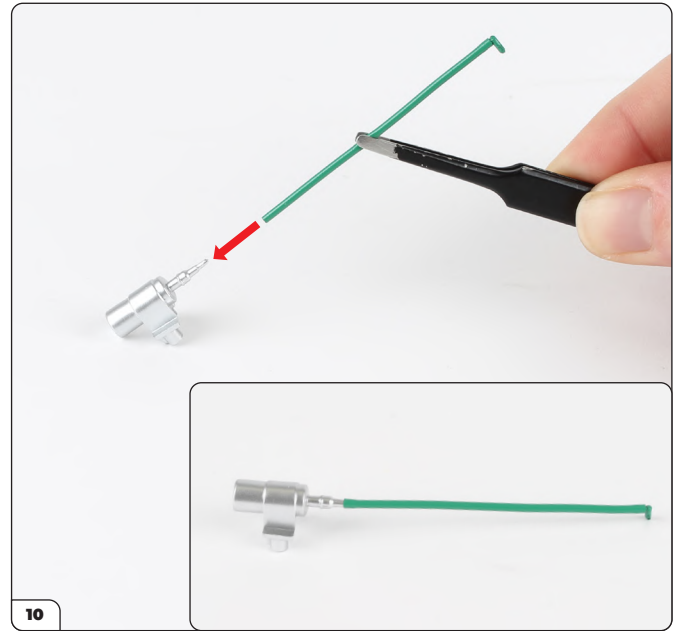


Fix the holder from underneath with a PS14 screw.

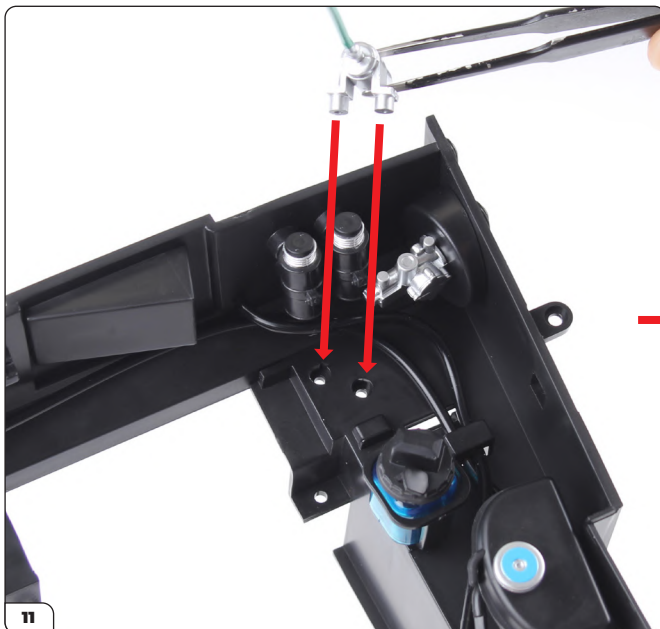
Stage 062: Fitting the Ignition Coil and Pipes



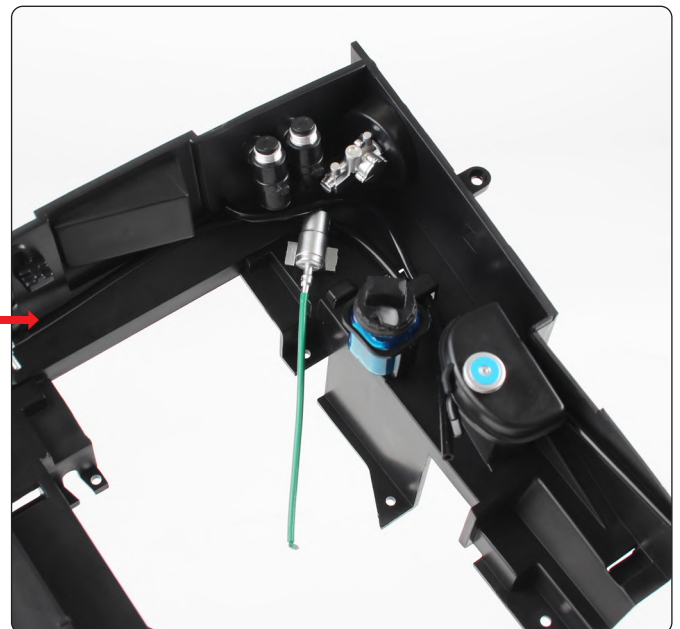
Align the green pipe (62-H) with the thinner end of the L-connector (62-G) then fit together.



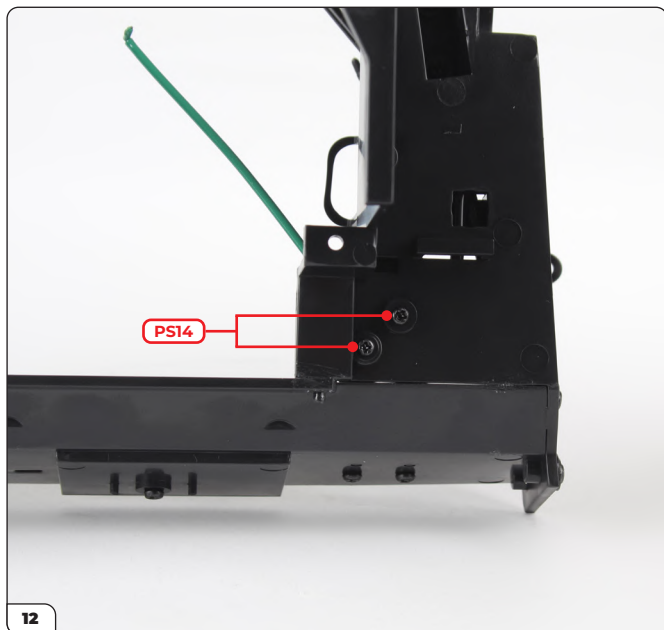
Fit the other end of the pipe onto the pin on the ignition coil (62-D).



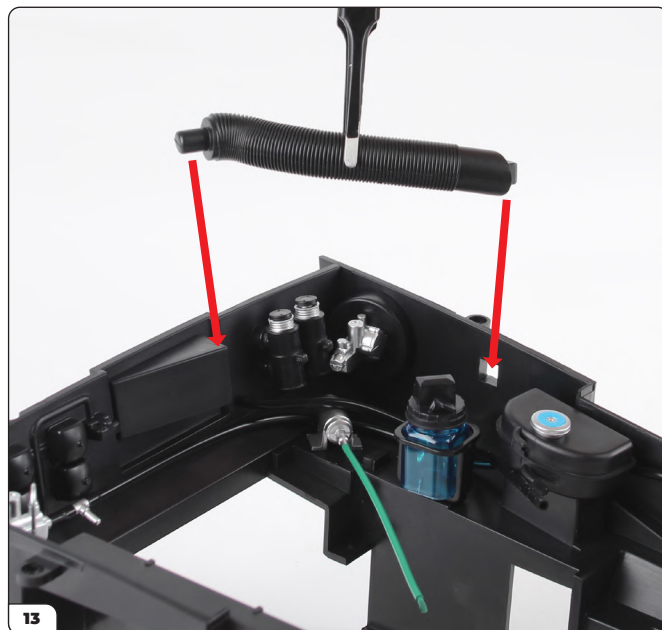
Align the ignition coil with the two holes in the engine bay assembly then fit in place. One of the holes is shaped to ensure the correct fit.



Stage 062: Fitting the Ignition Coil and Pipes



Secure from underneath with 2x PS14 screws.



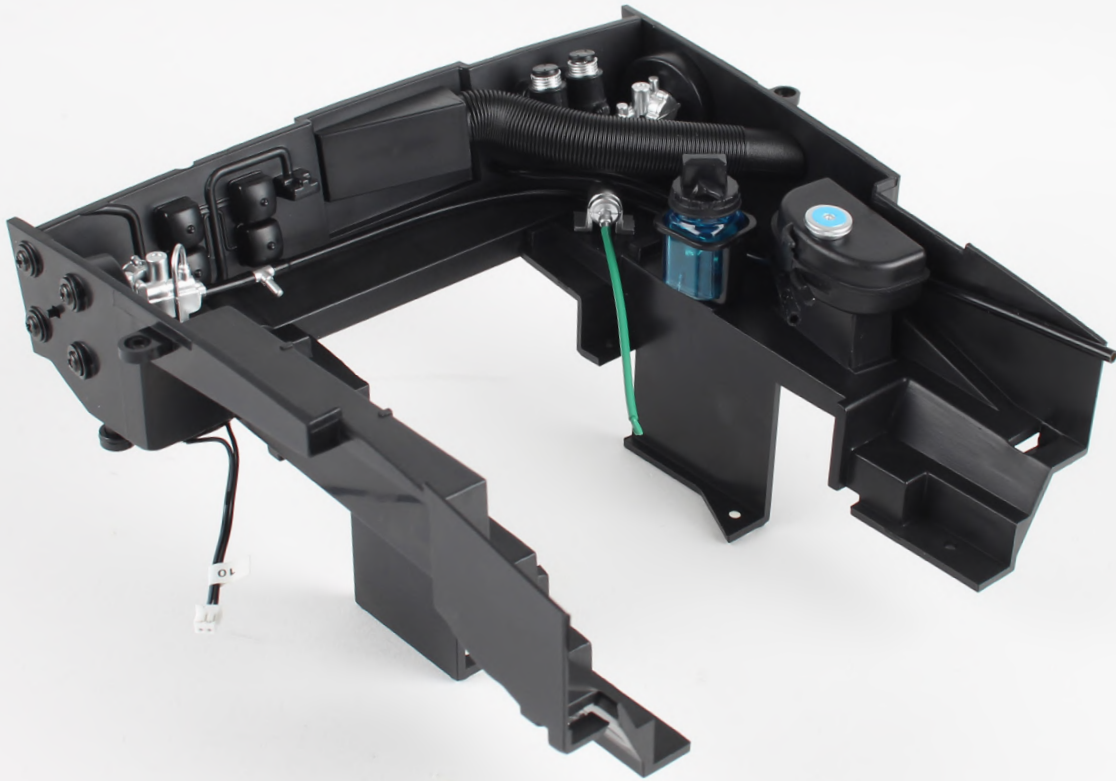
Align the air trunk (62-A) with the assembly as shown. There is a round and a square hole which correspond to the shaped plugs on the pipe.



Fit the air trunk in place.

Stage 062: Fitting the Ignition Coil and Pipes

STAGE COMPLETE



Stage 063: Fitting the Air Filter, Mounting the Engine and Fixing the Interior Floor

In this stage you'll finish the engine bay by fitting the air filter. You'll then attach the engine bay, fit the engine and fix the interior floor onto the chassis.

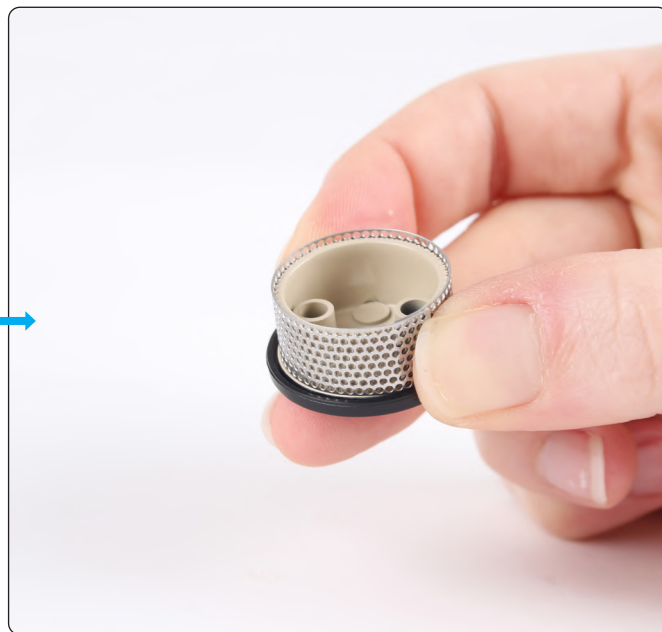
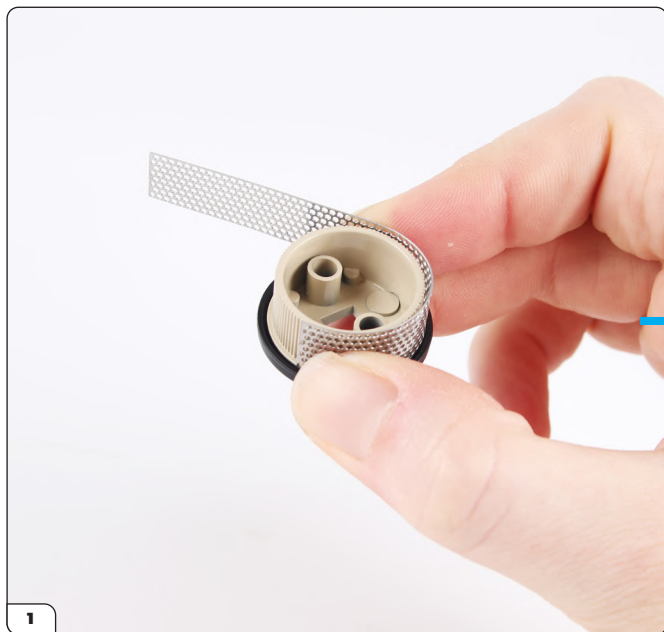


STAGE 063 PARTS LIST

Name	Name
63-A Air filter housing	63-G Wire brackets x3
63-B Air filter housing top	DS02 screws x8
63-C Pipe	PS05 screws x13
63-D Air filter mount	PS14 screws x7
63-E Air filter grille	DS20 screws x2
63-F Tank pipe	

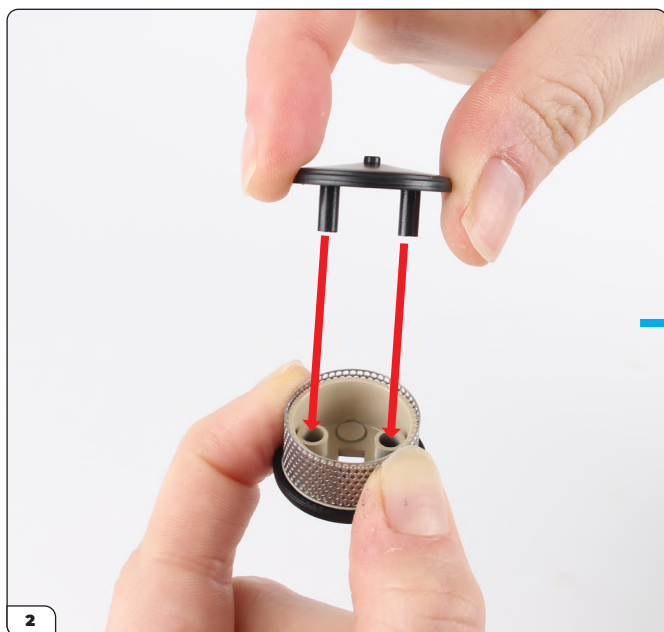


Stage 063: Fitting the Air Filter, Mounting the Engine and Fixing the Interior Floor



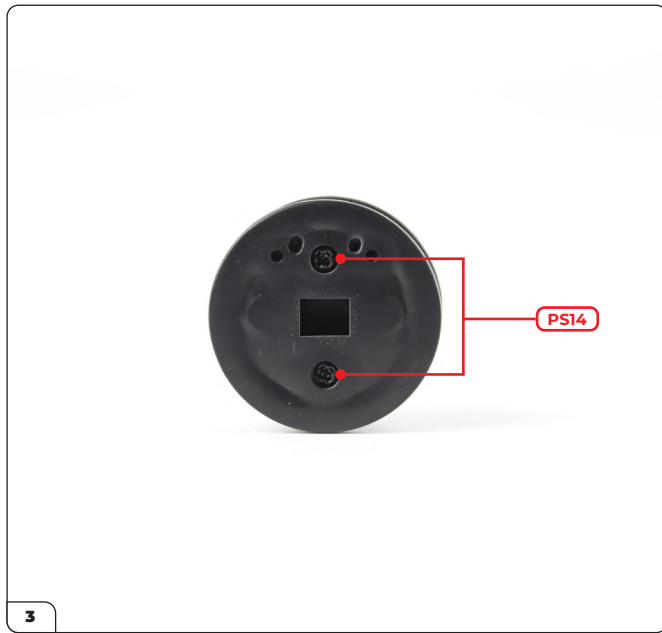
FITTING THE AIR FILTER

Take the air filter housing (63-A) and grille (63-E). Wrap the grille around the outside of the housing as shown. **Take care as the corners of the grille may be sharp.**



Holding the grille in place, fit the air filter housing top (63-B) into the two holes inside the air filter housing. Hold the top in place and release the grille. The grille should expand slightly to the edges of the top and housing.

Stage 063: Fitting the Air Filter, Mounting the Engine and Fixing the Interior Floor



Drive 2x PS14 screws into the base of the housing to secure.



Fit the air filter mount (63-D) onto the housing.

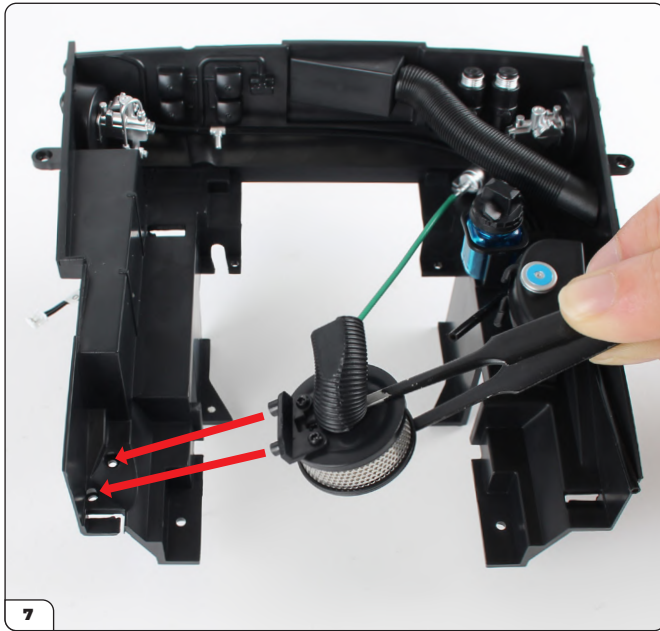


Secure with 2x PS14 screws.

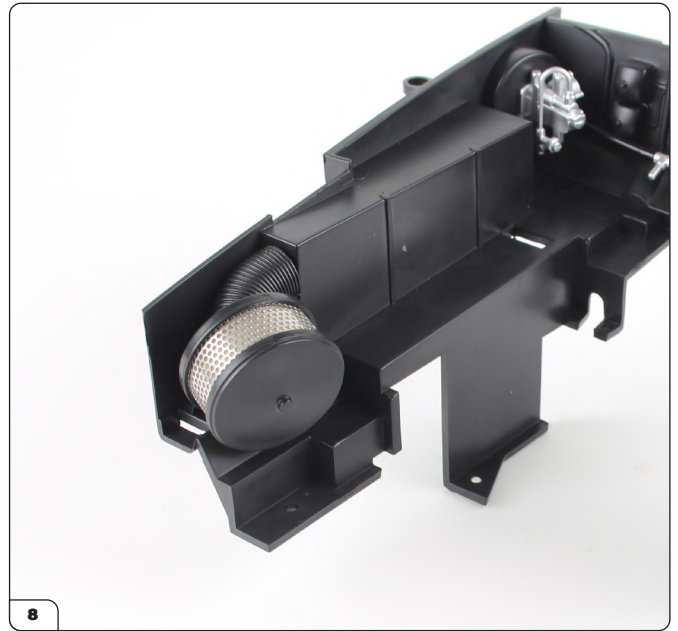


Fit the pipe (63-C) into the square hole as shown.

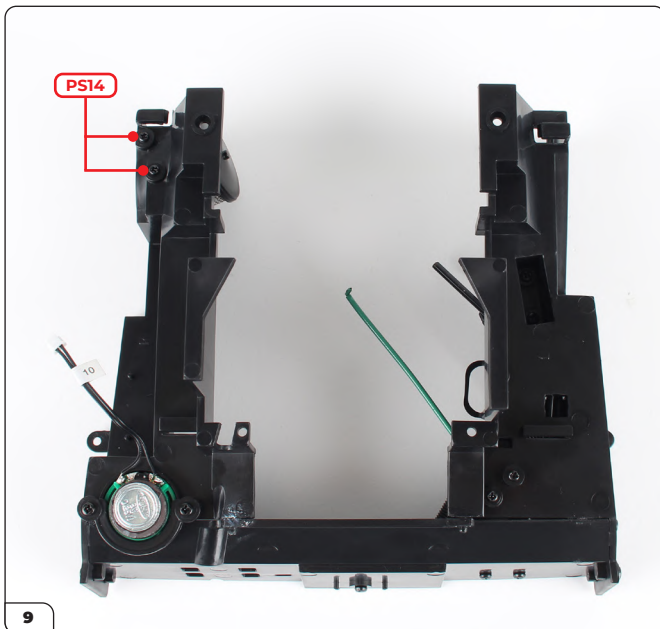
Stage 063: Fitting the Air Filter, Mounting the Engine and Fixing the Interior Floor



Align the air filter mount with the holes in the engine bay assembly (stage 062).



Fit the air filter in place.



Secure from underneath with 2x PS14 screws.



MOUNTING THE ENGINE

Align the tank pipe (63-F) with the tank.

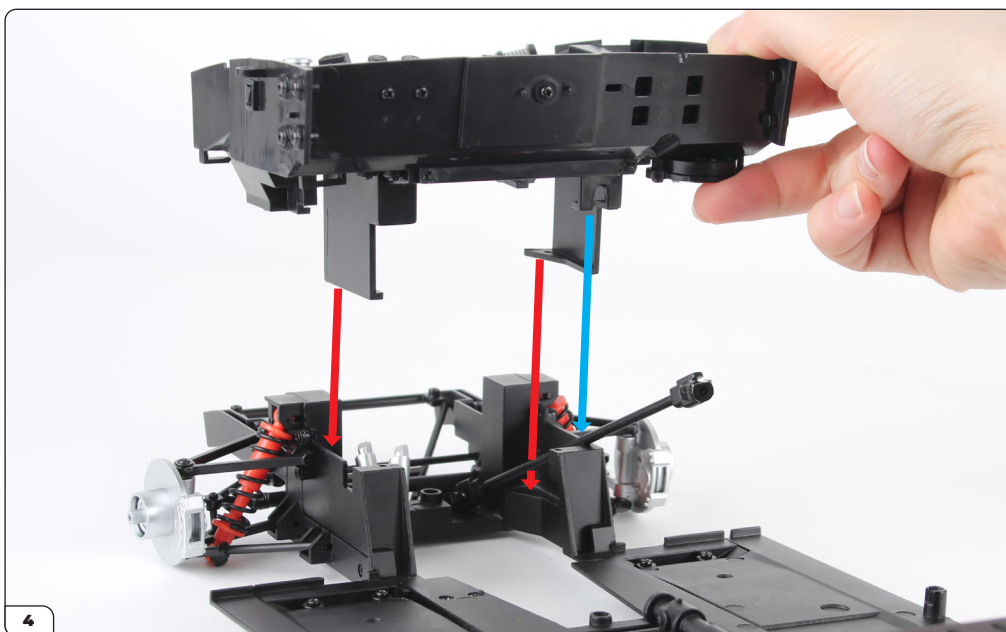
Stage 063: Fitting the Air Filter, Mounting the Engine and Fixing the Interior Floor



Fit the tank pipe onto the tank. The fitting is D-shaped to ensure the correct orientation.

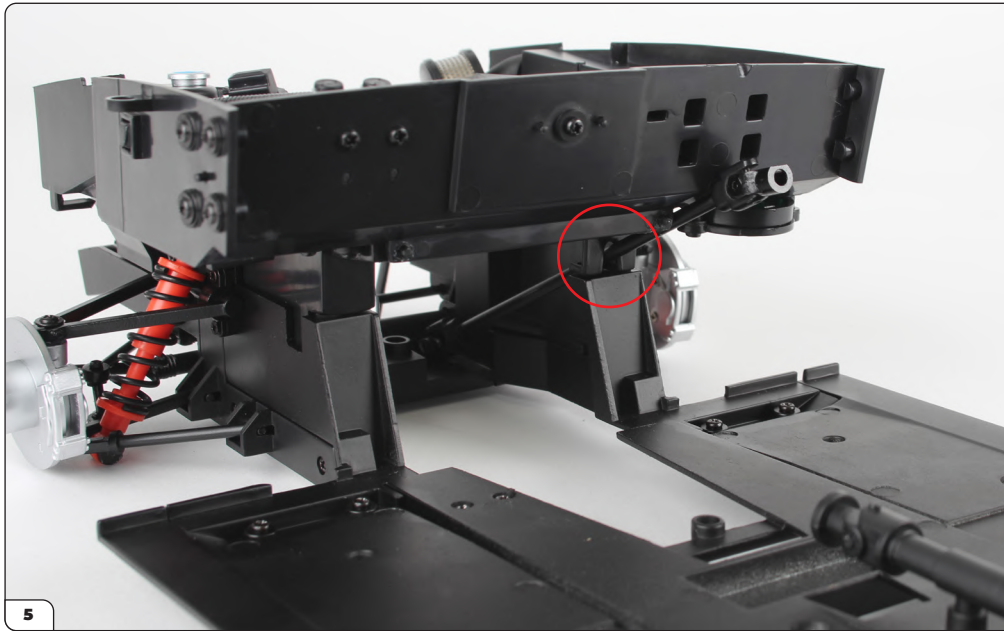


Take the chassis assembly (stage 042) and position the steering column on the right-hand pillar (arrow). Note the screw holes (circled) for fitting the engine bay assembly.

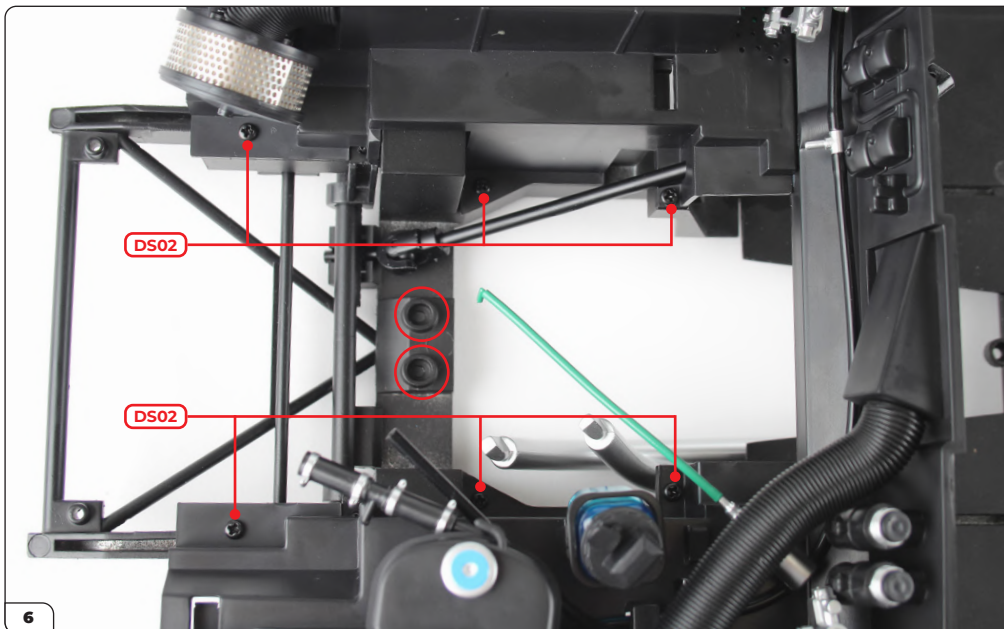


Align the engine bay assembly (stage 062) with the front of the chassis. There is an arch-shaped bracket which fits over the steering column (blue arrow).

Stage 063: Fitting the Air Filter, Mounting the Engine and Fixing the Interior Floor

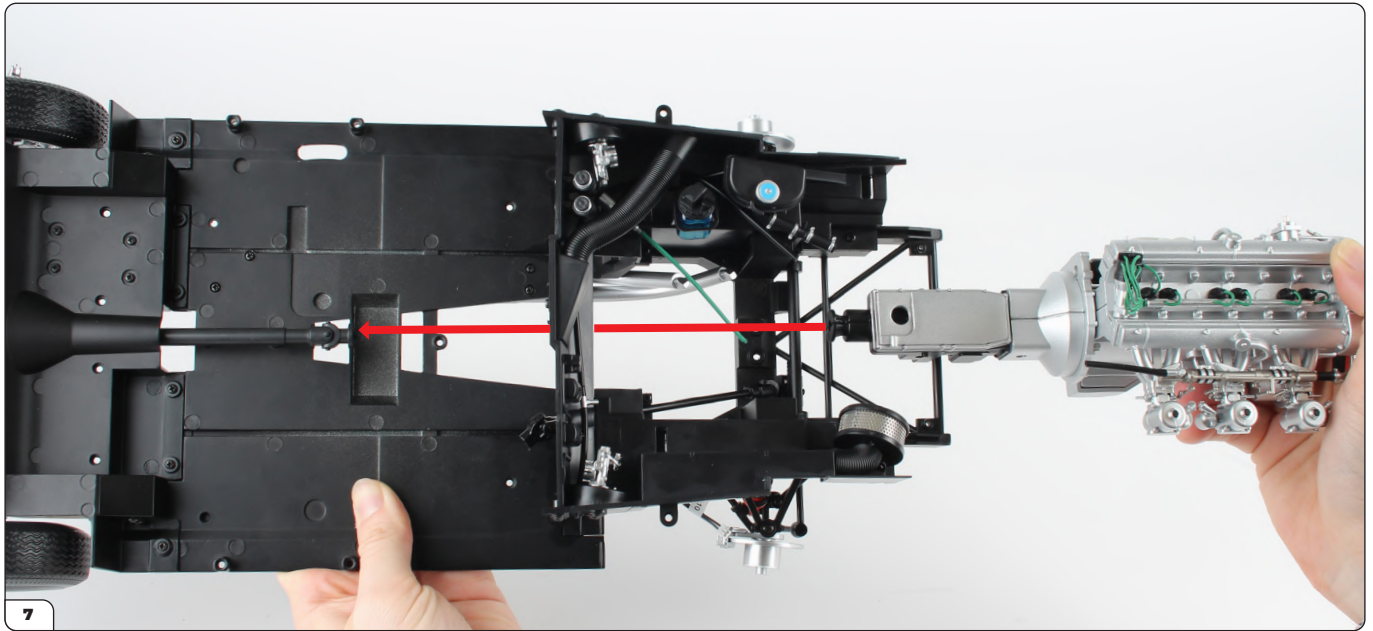


Fit the engine bay in place, making sure the arch is positioned over the steering column as shown.

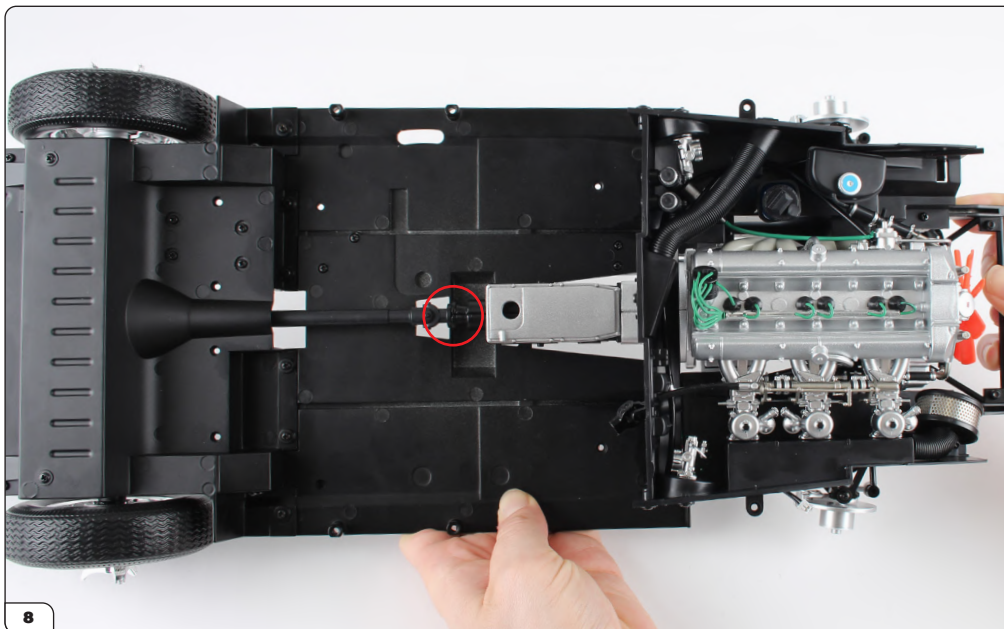


Secure the engine bay using 6x DS02 screws. Note the two screw holes for mounting the engine (circled).

Stage 063: Fitting the Air Filter, Mounting the Engine and Fixing the Interior Floor

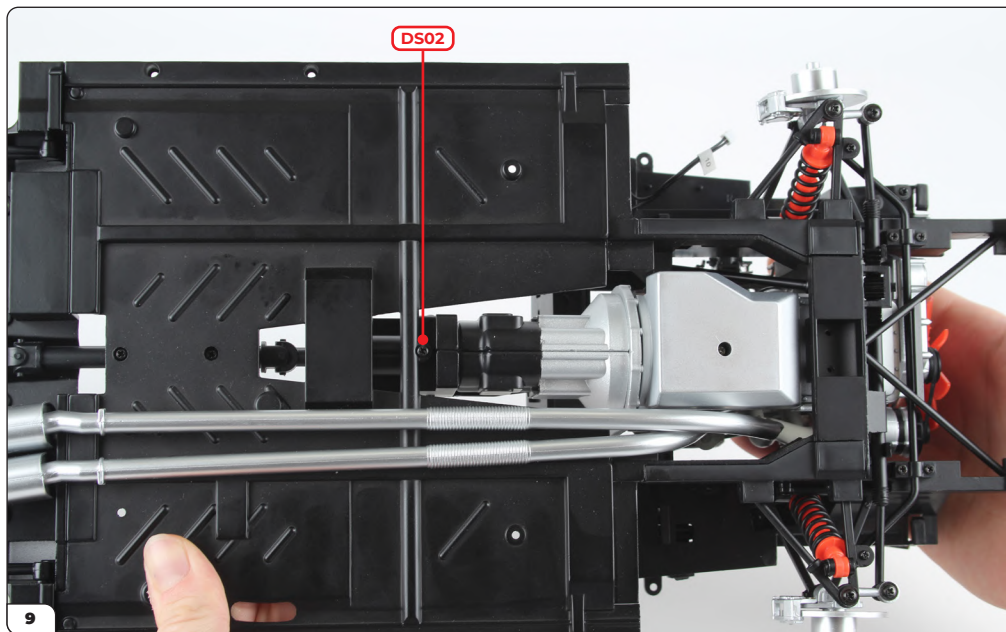


Take the engine assembly (stage 019) and align it with the underside of the chassis as shown.

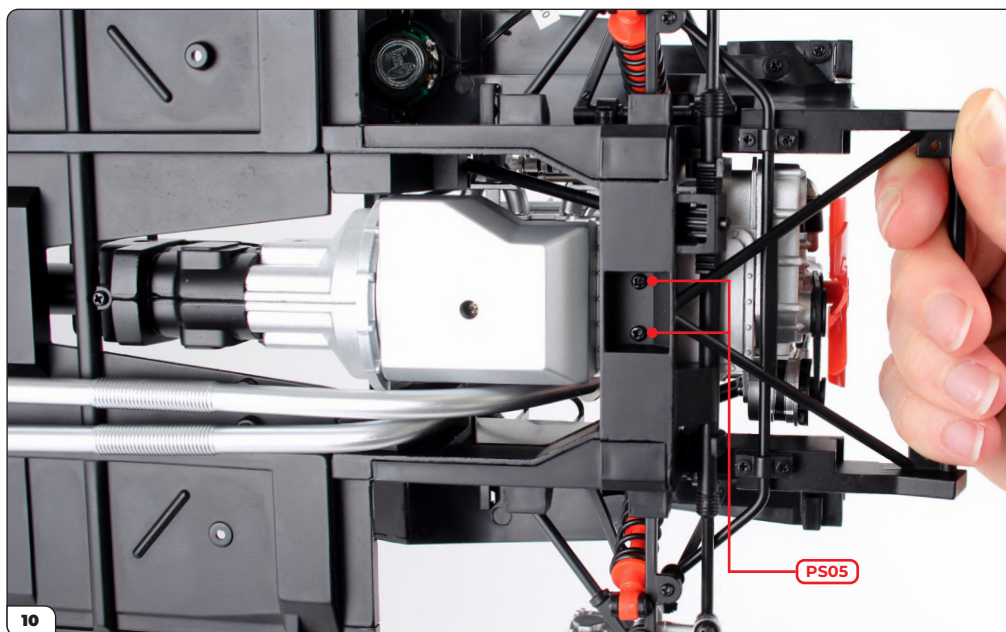


Fit the engine in place. The drive shaft should fit into the gearbox (circled). Make sure the engine is sitting in the two screw holes highlighted in step 3. Connect the tank pipe to the silver pin (right image).

Stage 063: Fitting the Air Filter, Mounting the Engine and Fixing the Interior Floor

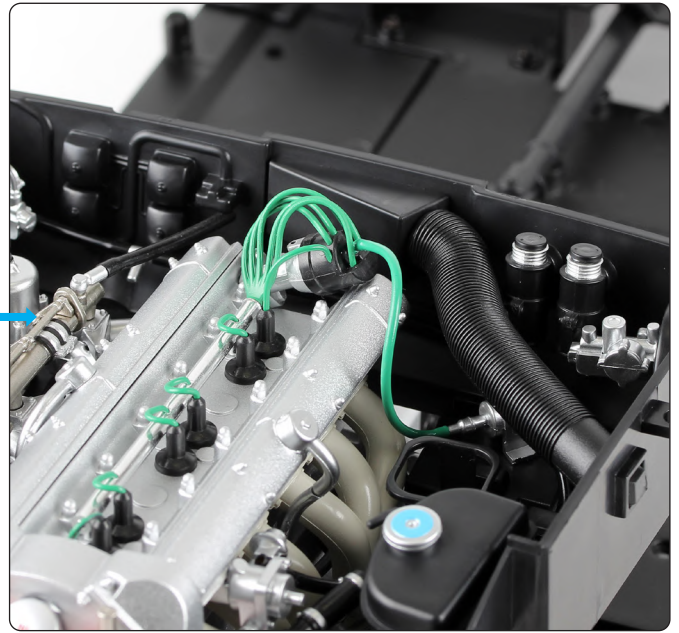
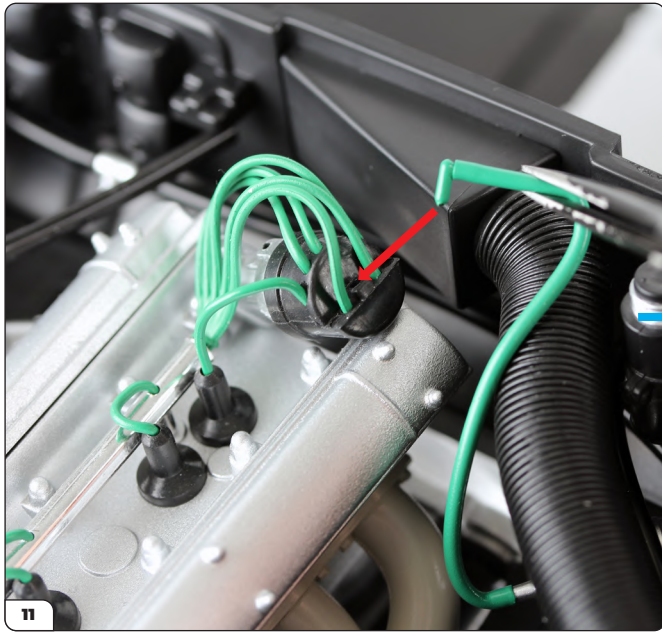


Turn the assembly over and secure the middle section with a DS02 screw.

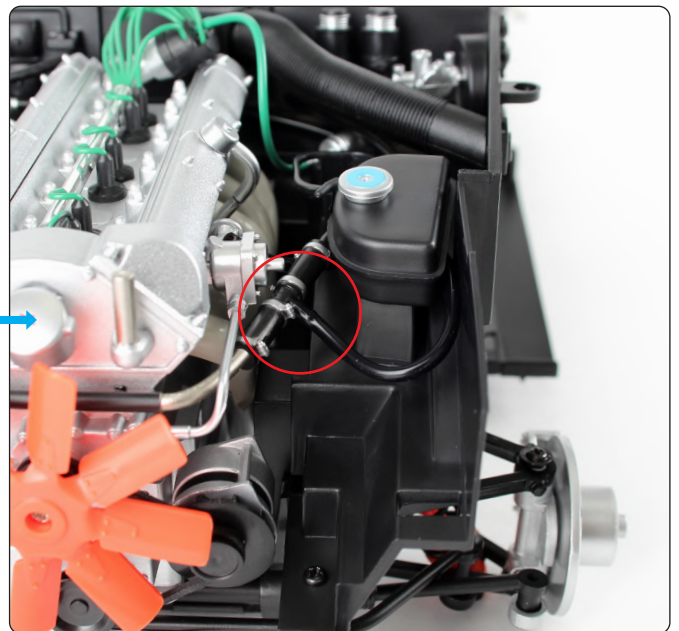
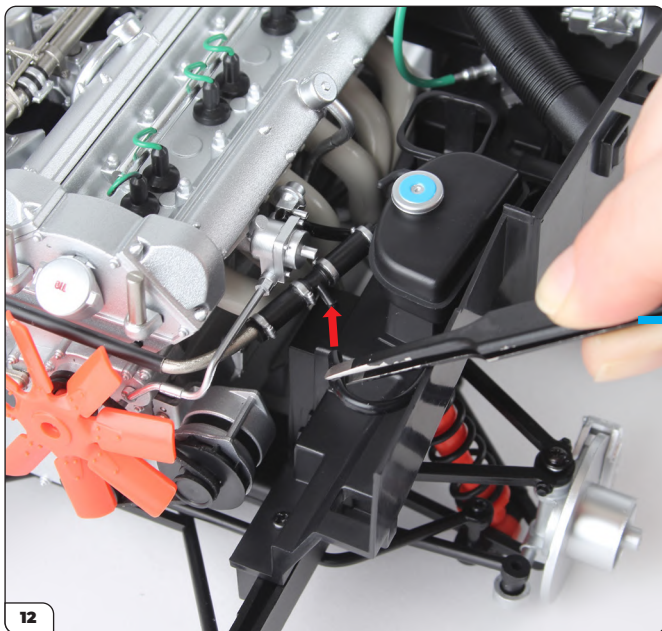


Secure the front section with 2x PS05 screws.

Stage 063: Fitting the Air Filter, Mounting the Engine and Fixing the Interior Floor

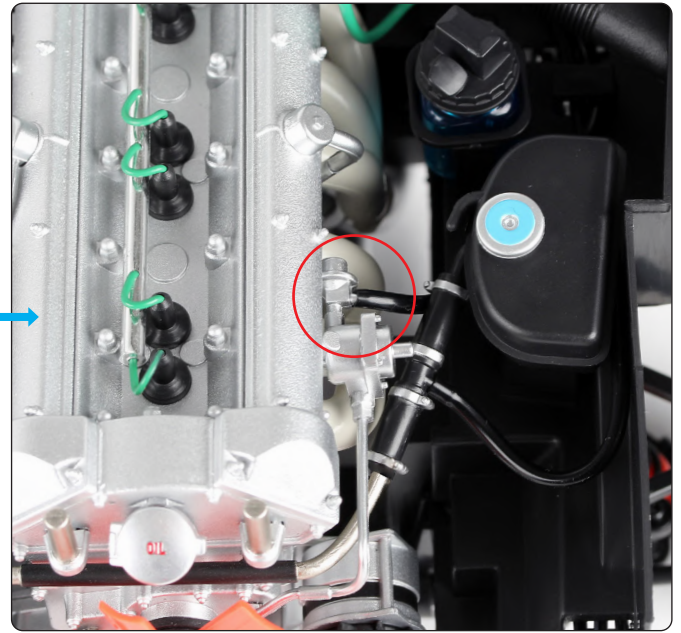
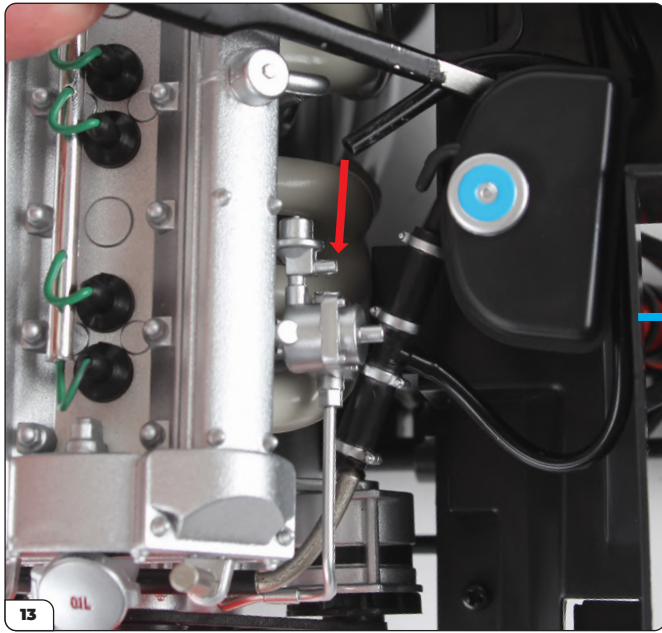


Take the green pipe and fit the L-connector into the small hole in the distributor. If it is difficult to fit, carefully remove excess material from the L-connector.

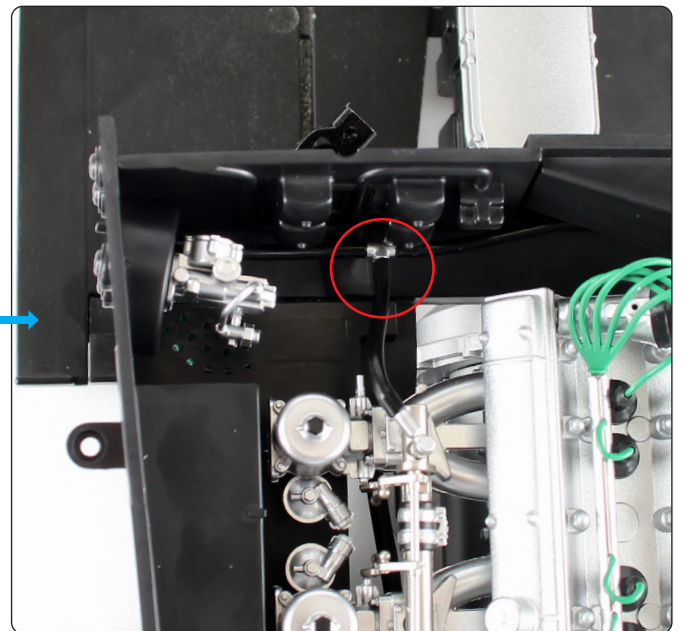
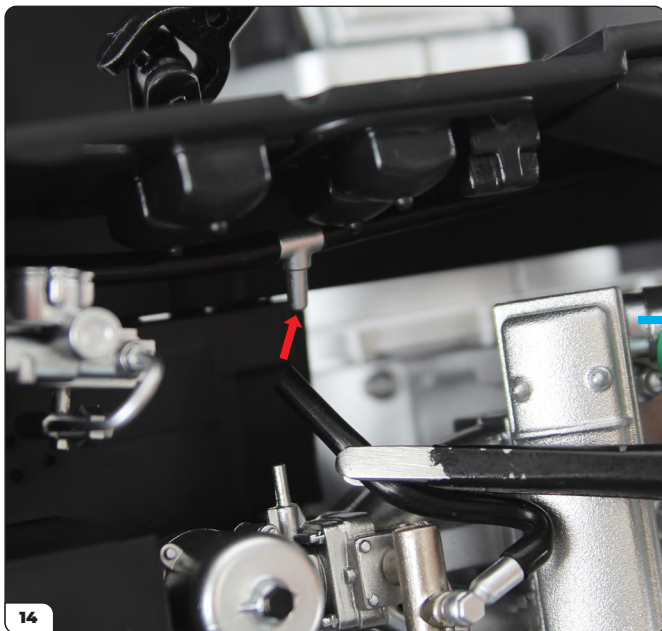


Take the end of the long pipe and fit it onto the pin on the tank pipe.

Stage 063: Fitting the Air Filter, Mounting the Engine and Fixing the Interior Floor

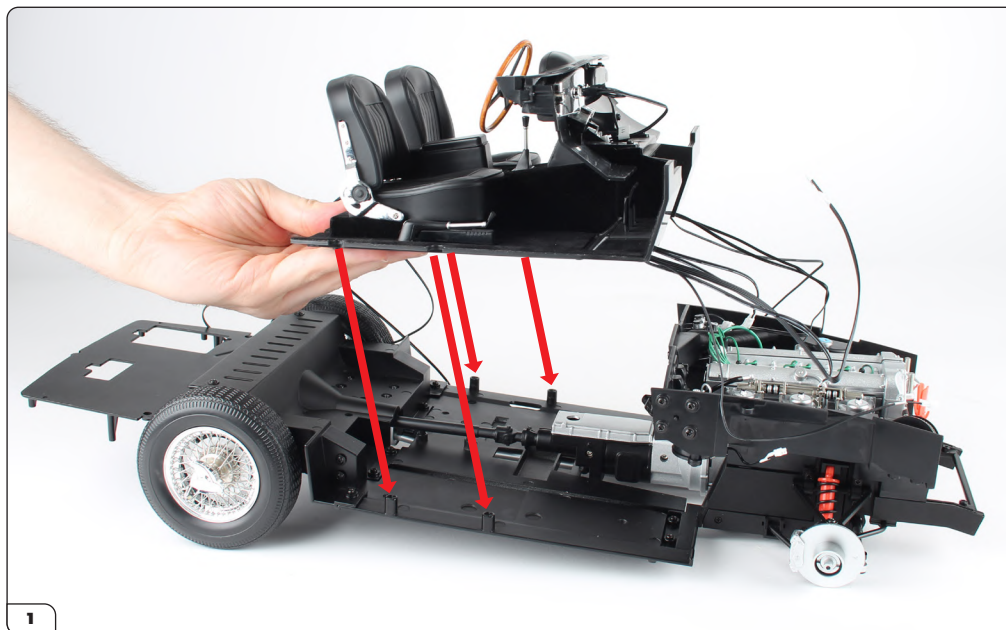


Take the end of the short pipe and fit it onto the pin on the water pump.



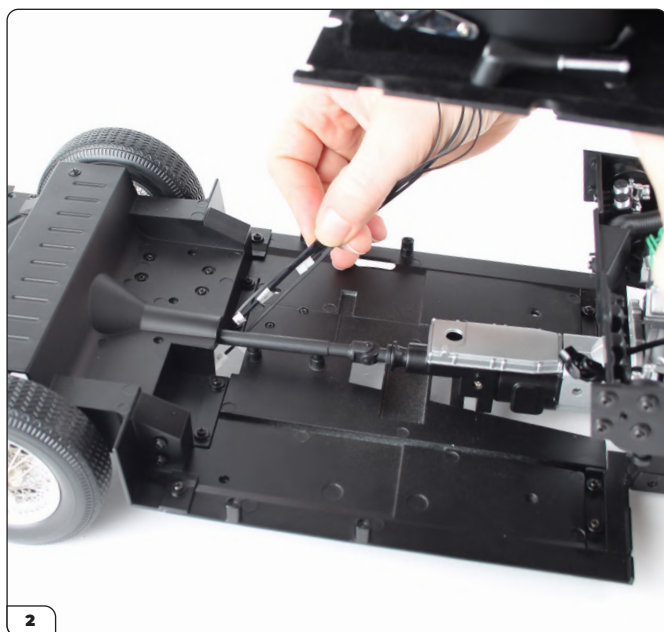
Fit the pipe on the fuel line connector onto the T-connector.

Stage 063: Fitting the Air Filter, Mounting the Engine and Fixing the Interior Floor

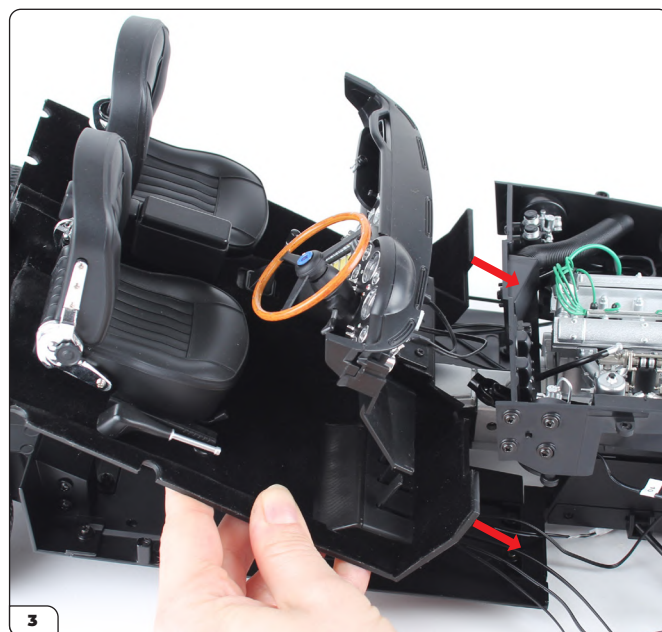


FITTING THE INTERIOR FLOOR

Take the interior assembly (stage 057) and align it with the chassis as shown. Note the indentations around the interior floor which correspond with the screw posts (arrows).

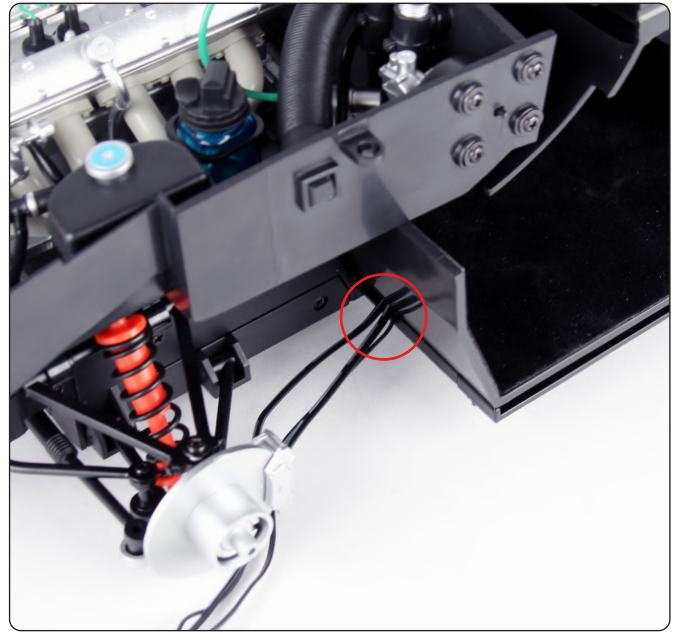
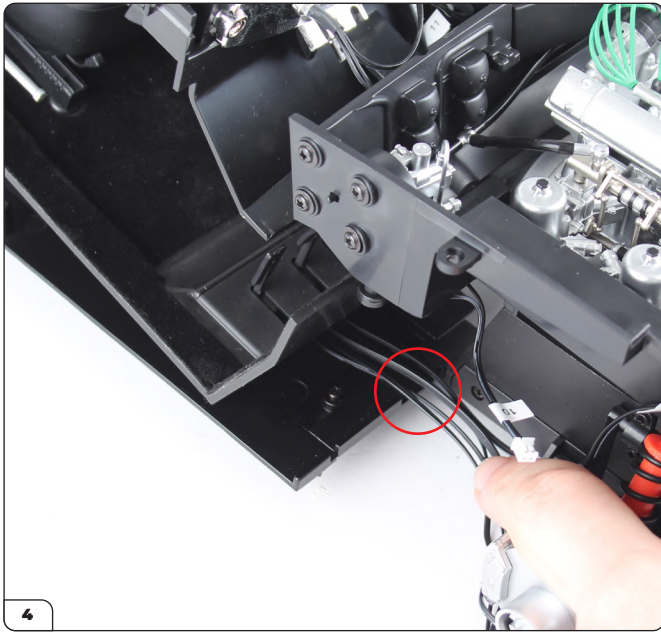


Before fitting the interior, thread the rear wires ('09', '12', '13' and '14') through the opening as shown.

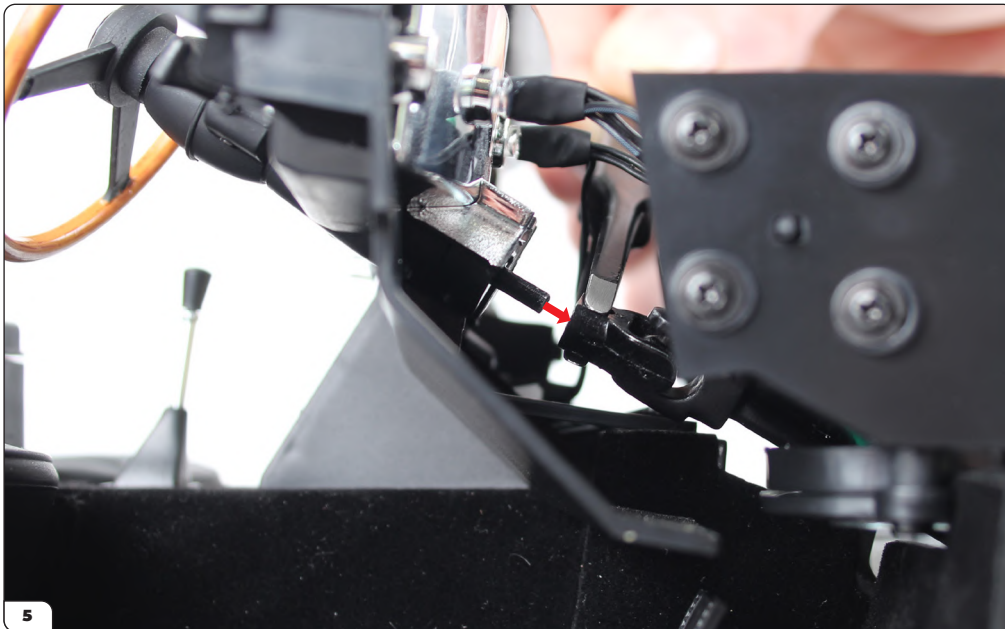


Angle the interior to fit the front underneath the firewall.

Stage 063: Fitting the Air Filter, Mounting the Engine and Fixing the Interior Floor



Position the wires on the left and right side in the grooves.

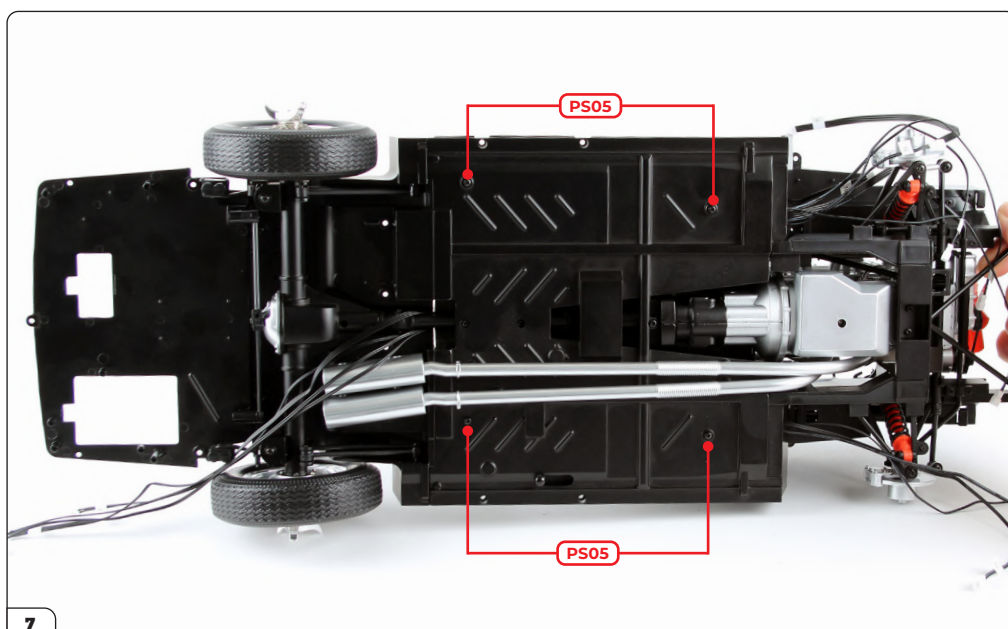


As you position the interior, fit the steering shaft into the drive shaft. The fitting is D-shaped to ensure the correct orientation.

Stage 063: Fitting the Air Filter, Mounting the Engine and Fixing the Interior Floor



Carefully fit the interior in place, aligning the indentations with the screw posts. Check that none of the wires have become trapped.
Note: from now on, use a support when placing the assembly upside down to avoid damaging the steering wheel.

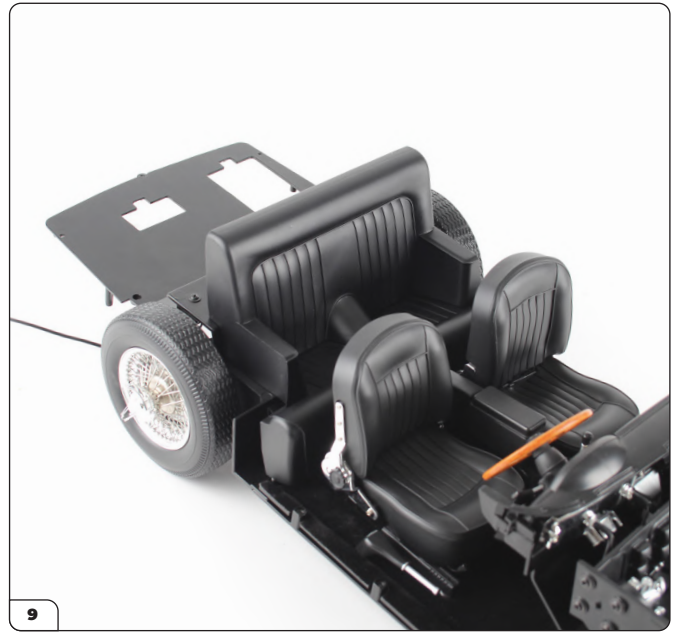


Secure the interior with 4x PS05 screws. If the screws don't hold, adjust the wires in the transmission tunnel to give more space for the drive shaft.

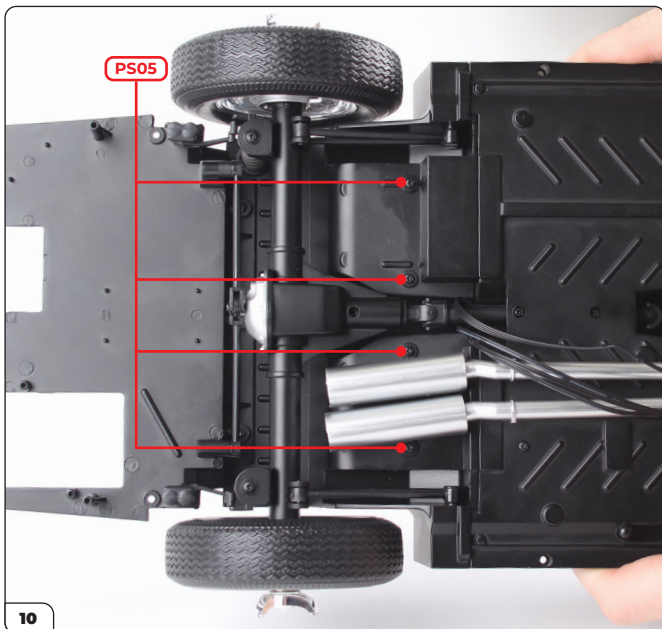
Stage 063: Fitting the Air Filter, Mounting the Engine and Fixing the Interior Floor



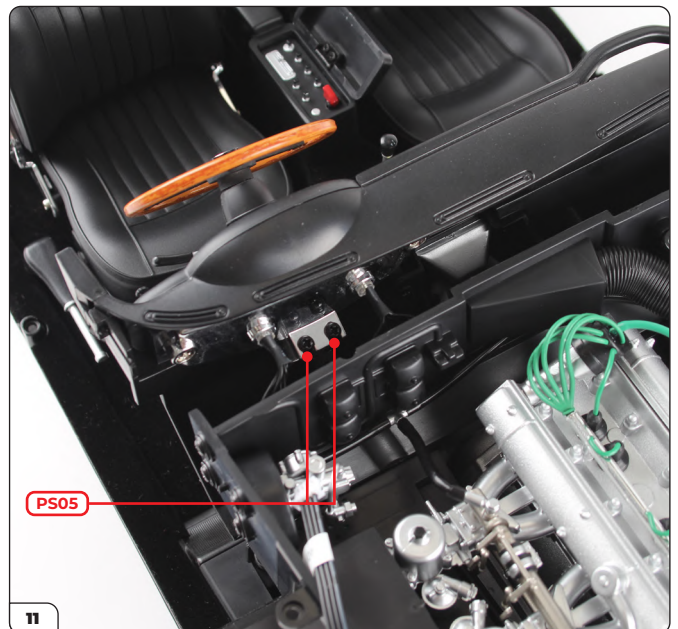
Take the rear seat (stage 052) and align it with the assembly as shown.



Fit the four screw posts into the holes.

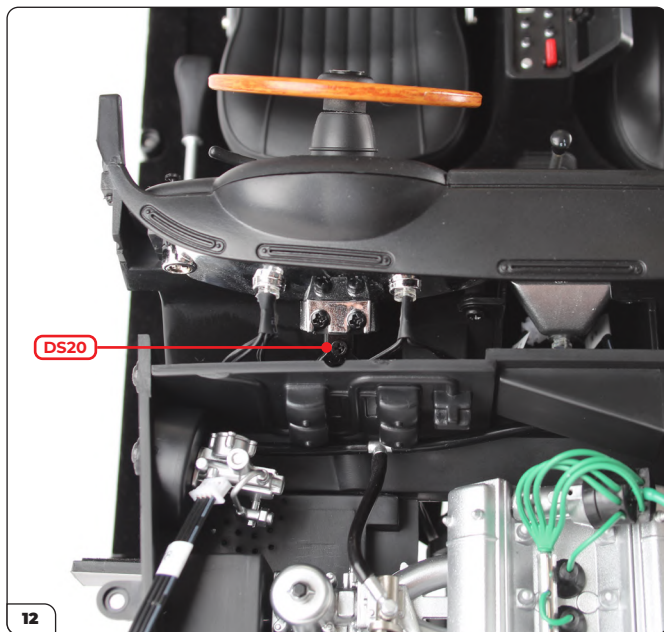


Secure with 4x PS05 screws.

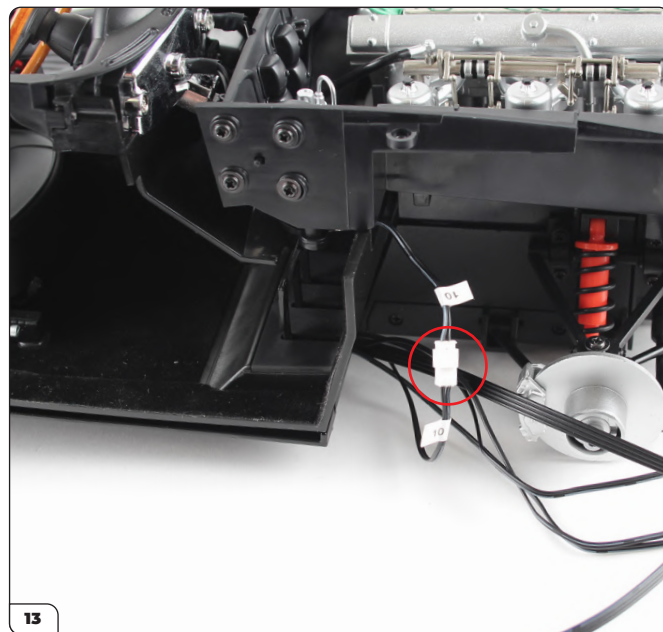


Use 2x PS05 screws to secure the dial housing.

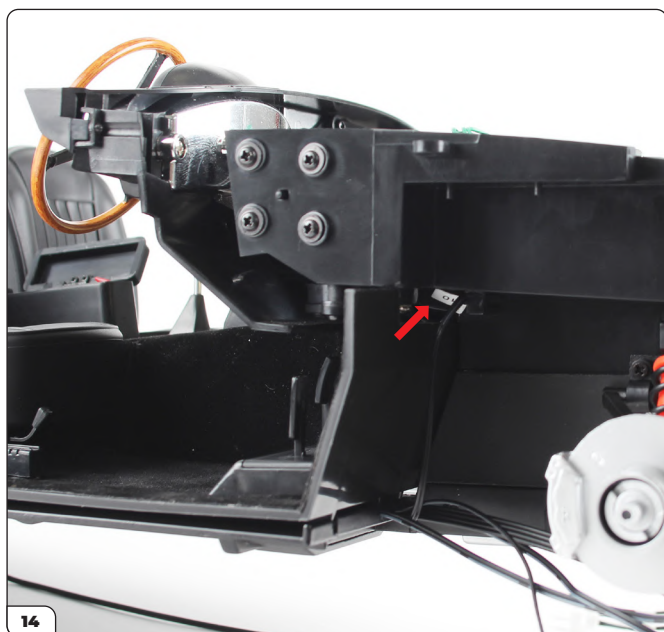
Stage 063: Fitting the Air Filter, Mounting the Engine and Fixing the Interior Floor



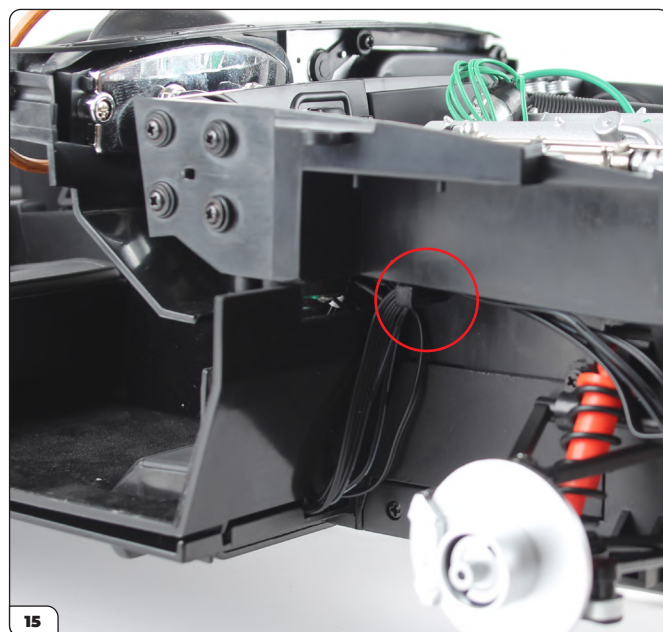
Secure the steering shaft with a DS20 screw.



Connect the two No. 10 wires.

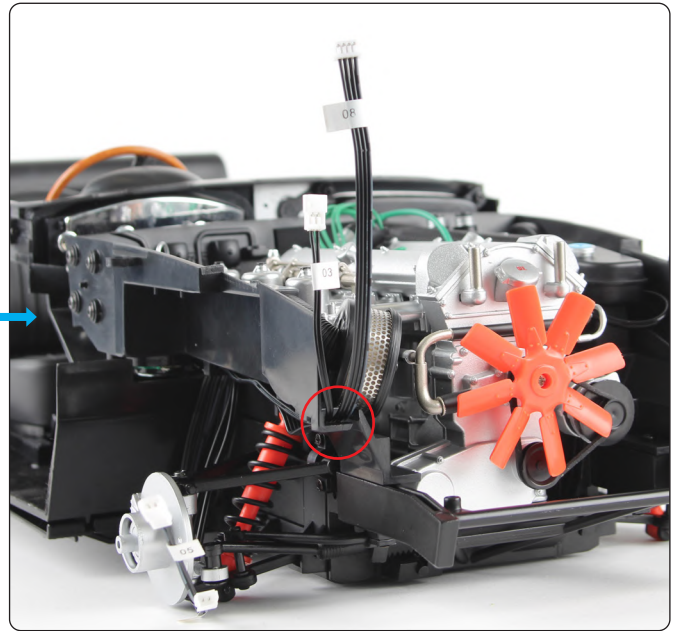
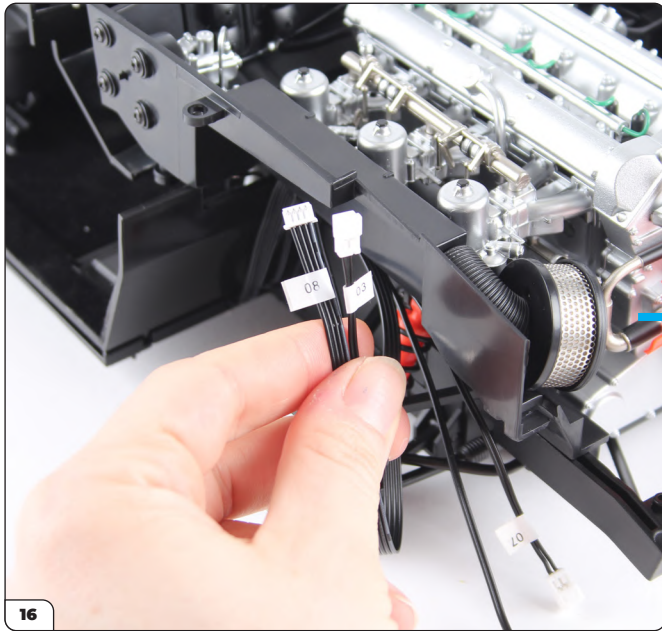


Tuck the No. 10 wires behind the firewall.

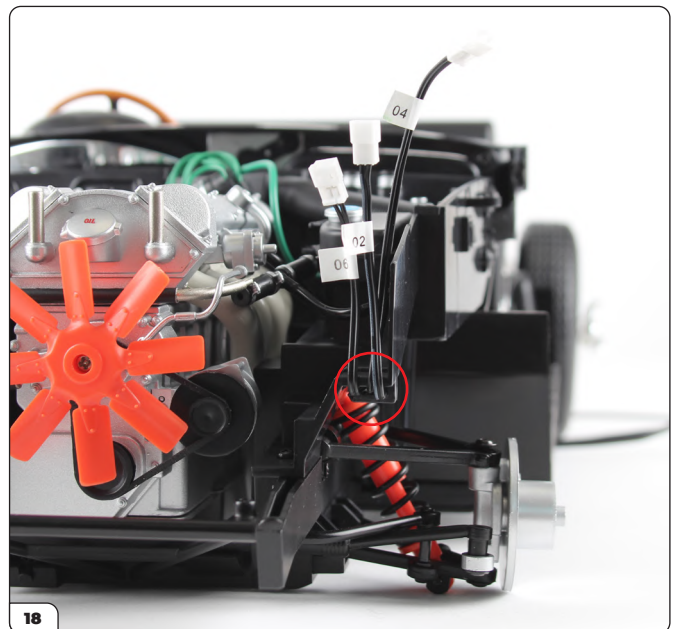


Fit the wires No. 03, No. 05, No. 07, and No. 08 into the clip under the engine bay right wall.

Stage 063: Fitting the Air Filter, Mounting the Engine and Fixing the Interior Floor



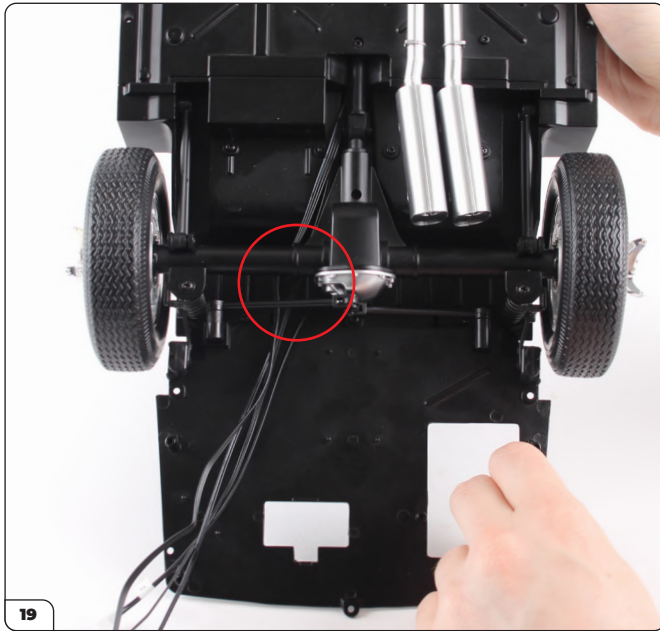
Take wires No. 03 and No. 08 then clip them to the front of the engine bay as shown.



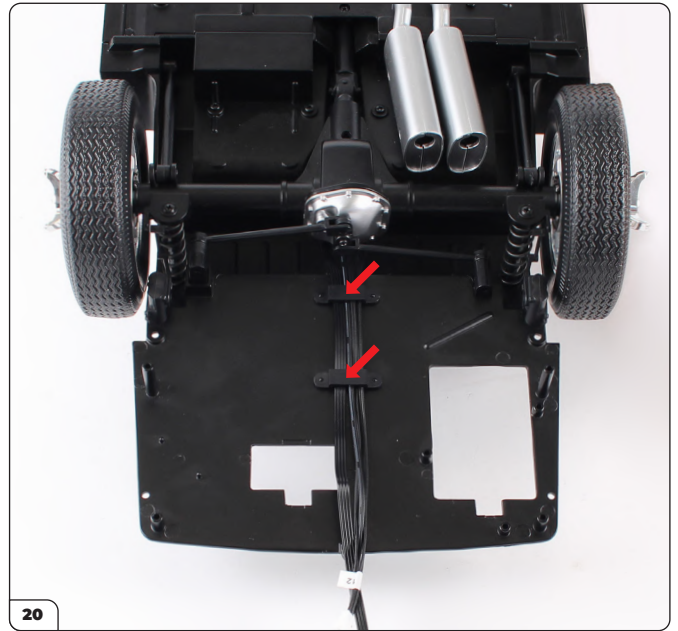
Clip the wires No. 02, No. 04, and No. 06 under the engine bay left wall in the same way.

Clip all three wires to the front.

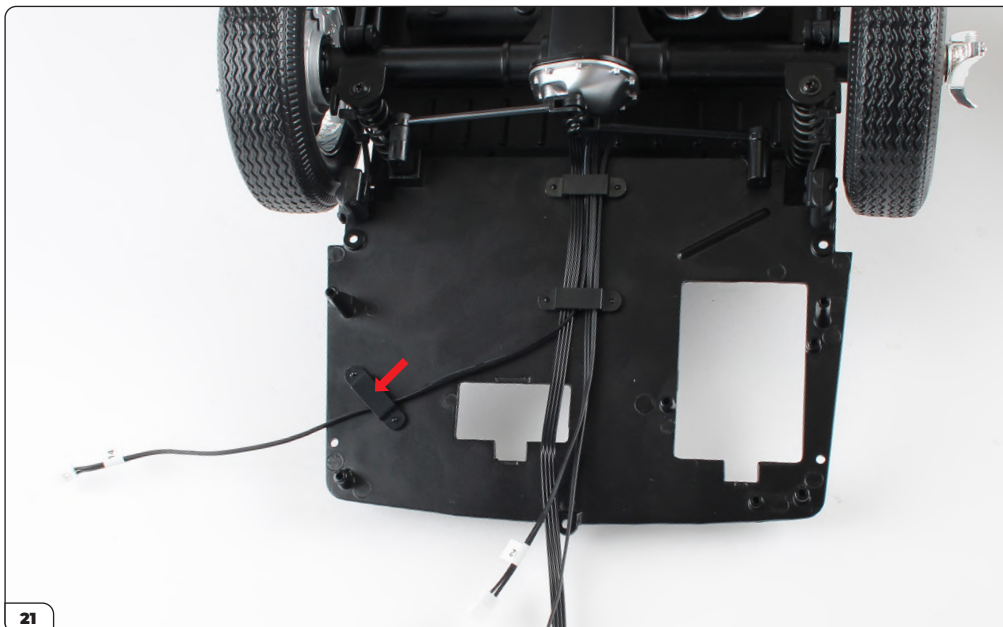
Stage 063: Fitting the Air Filter, Mounting the Engine and Fixing the Interior Floor



Thread the rear wires underneath the axle.



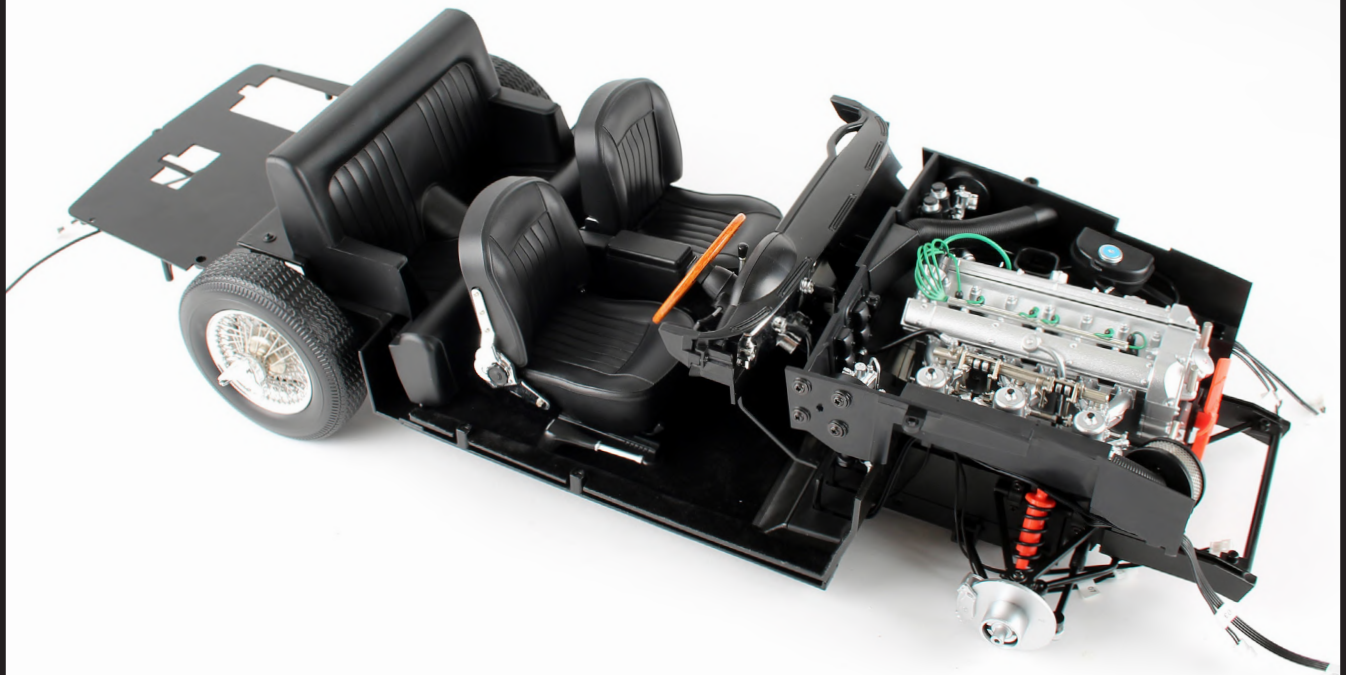
Move the wires to the middle and secure them with two wire brackets (63-G).



Move wire No. 14 to the side and secure it with the remaining wire bracket.

Stage 063: Fitting the Air Filter, Mounting the Engine and Fixing the Interior Floor

STAGE COMPLETE



Stage 064: Building the Mine Dispenser

In this stage you'll build the mine dispenser and fit the battery compartment.

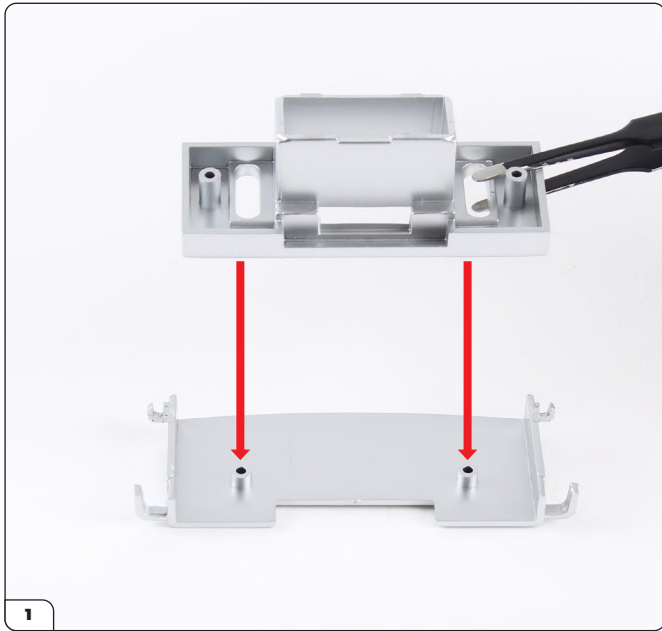


STAGE 064 PARTS LIST

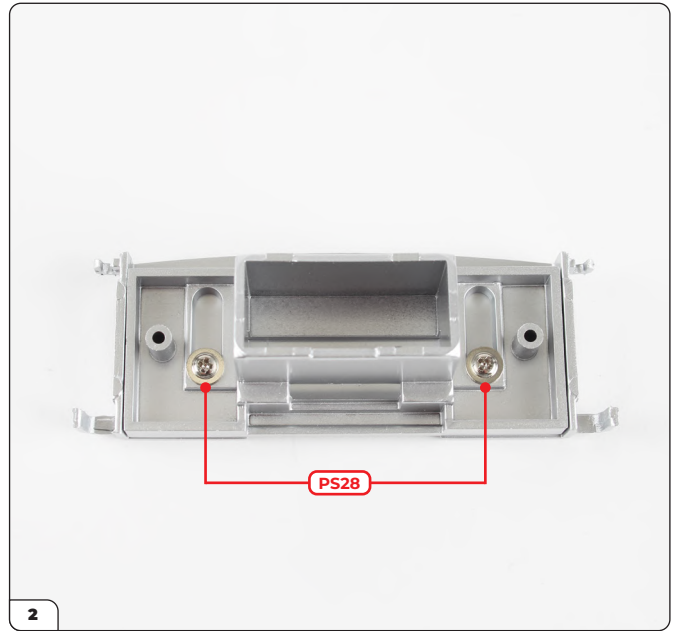
Name
64-A Mine dispenser plate
64-B Mine dispenser compartment
64-C Battery compartment cover
64-D Battery compartment
64-E Wire bracket
DS02 screws x3
PS28 screws x3



Stage 064: Building the Mine Dispenser



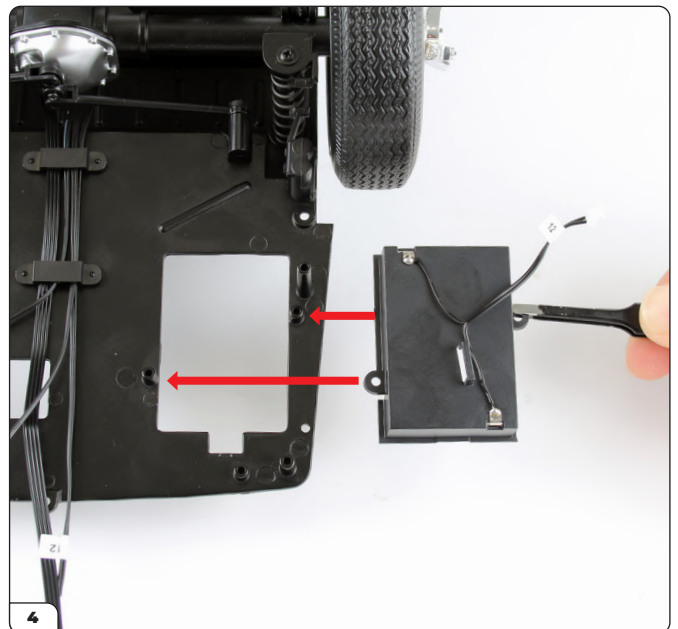
Take the mine dispenser compartment (64-B) and align it with the mine dispenser plate (64-A).



Fit the parts together and secure with 2x PS28 screws. Don't overtighten the screws.

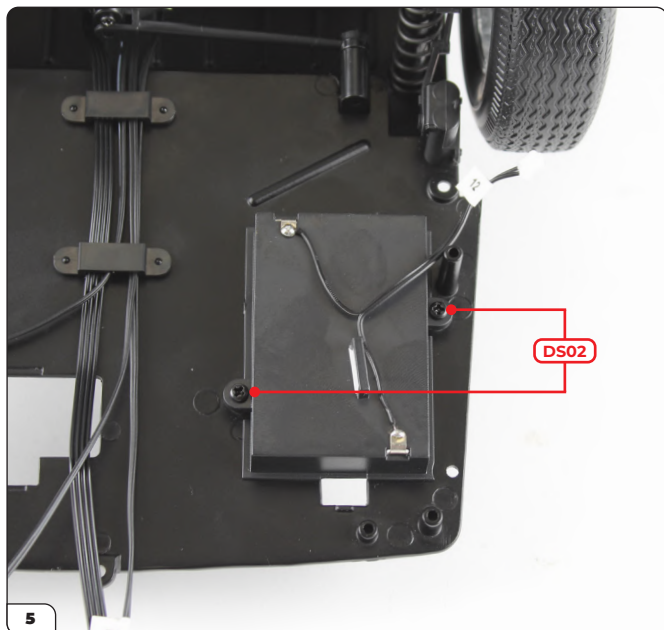


Check the plate can slide up freely.

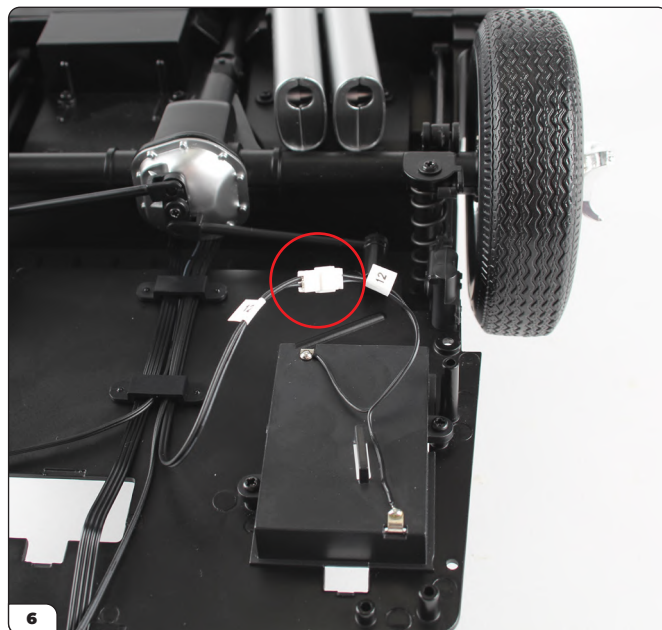


Align the battery compartment (64-D) with the screw posts on the rear chassis.

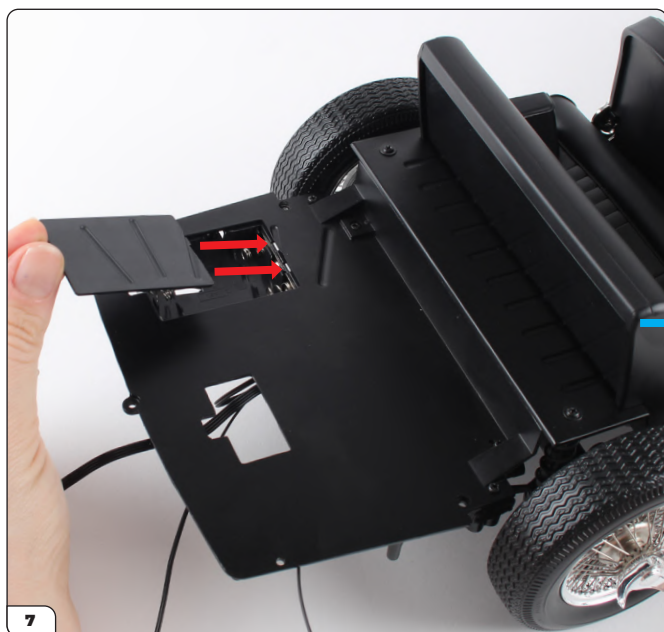
Stage 064: Building the Mine Dispenser



Fit the battery compartment and secure with 2x DS02 screws.

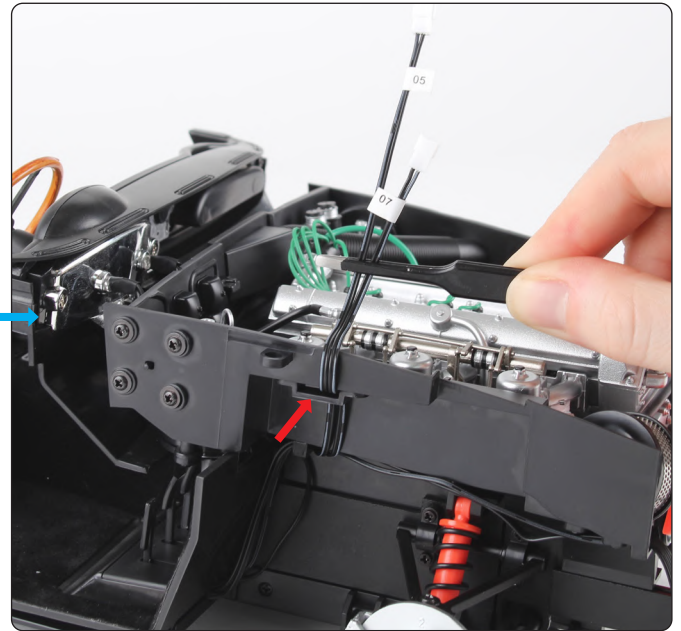
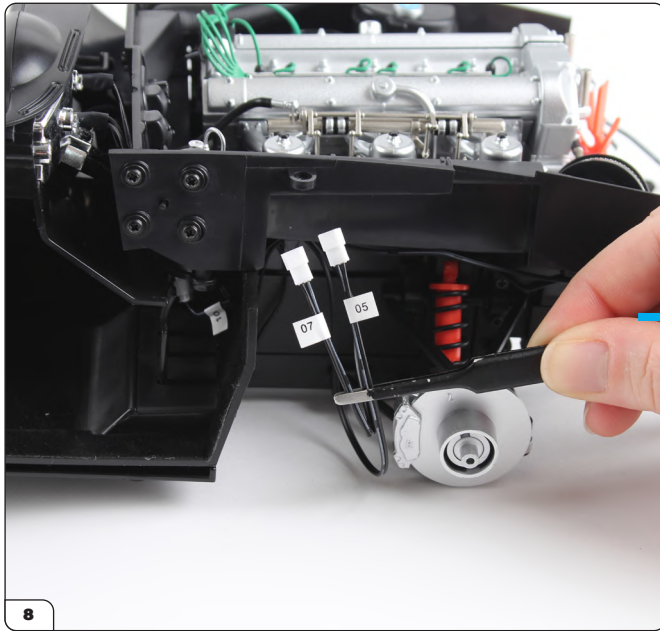


Connect the wires marked No. 12.



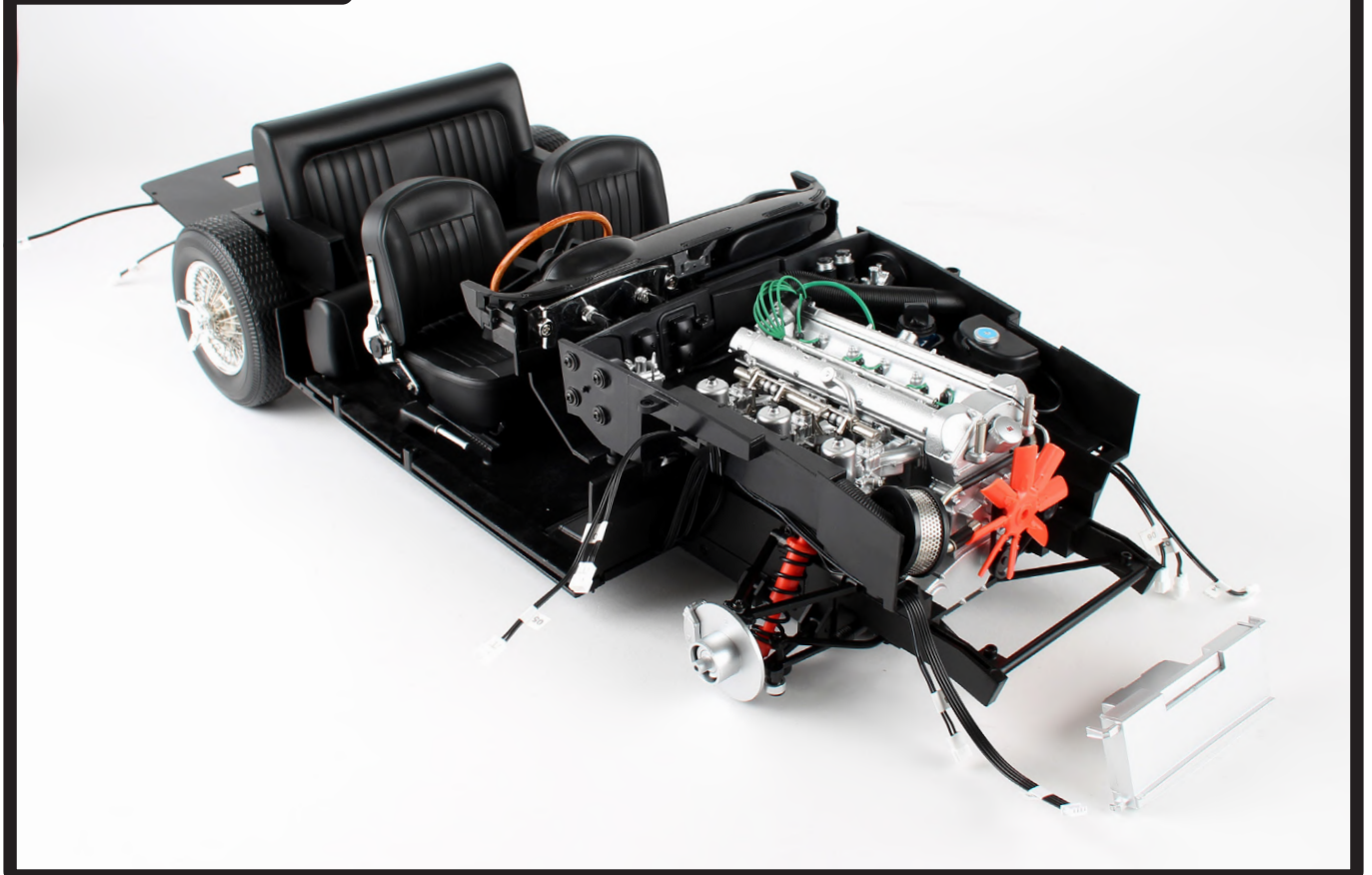
Turn the assembly over and fit the battery compartment cover in place.

Stage 064: Building the Mine Dispenser



Take the two wires marked No. 05 and No. 07 and secure them to the engine bay right wall using the wire bracket (64-E).

STAGE COMPLETE



Stage 065: Fitting the Mine Dispenser

You'll now fit the mine dispenser to the chassis rear underplate and mount it onto the assembly.

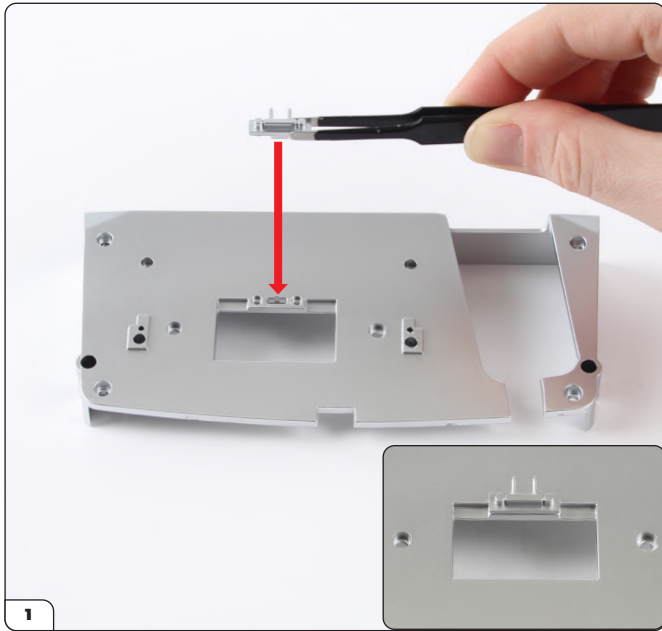


STAGE 065 PARTS LIST

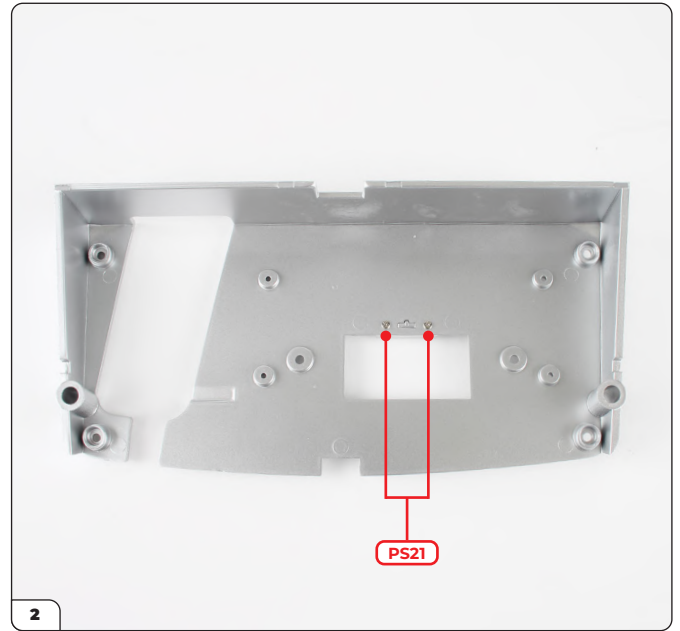
Name	Name
65-A Chassis rear underplate	65-F Piston (L)
65-B Mine compartment cover	65-G Piston rod x2
65-C Pipe dual connector	DS01 screws x5
65-D Pipe x2	PS02 screws x3
65-E Piston (R)	PS21 screws x7



Stage 065: Fitting the Mine Dispenser



Take the pipe dual connector (65-C) and fit it into the shaped slot in the chassis rear underplate (65-A).

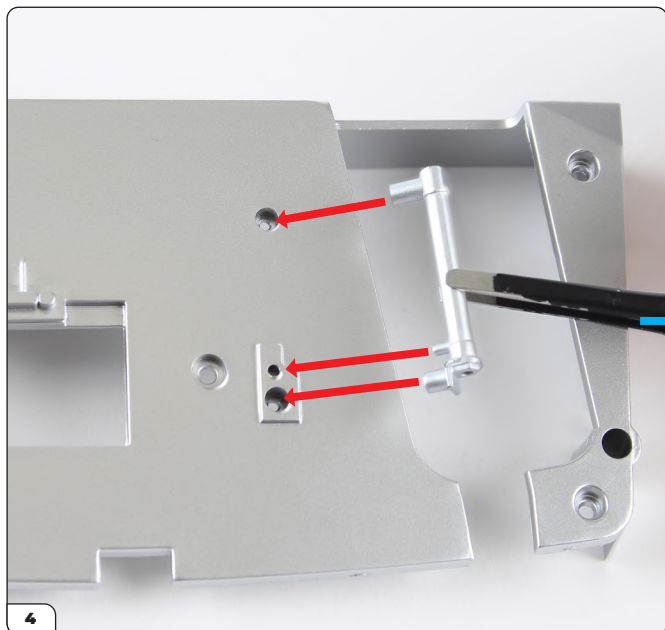


Secure with 2x PS21 screws.

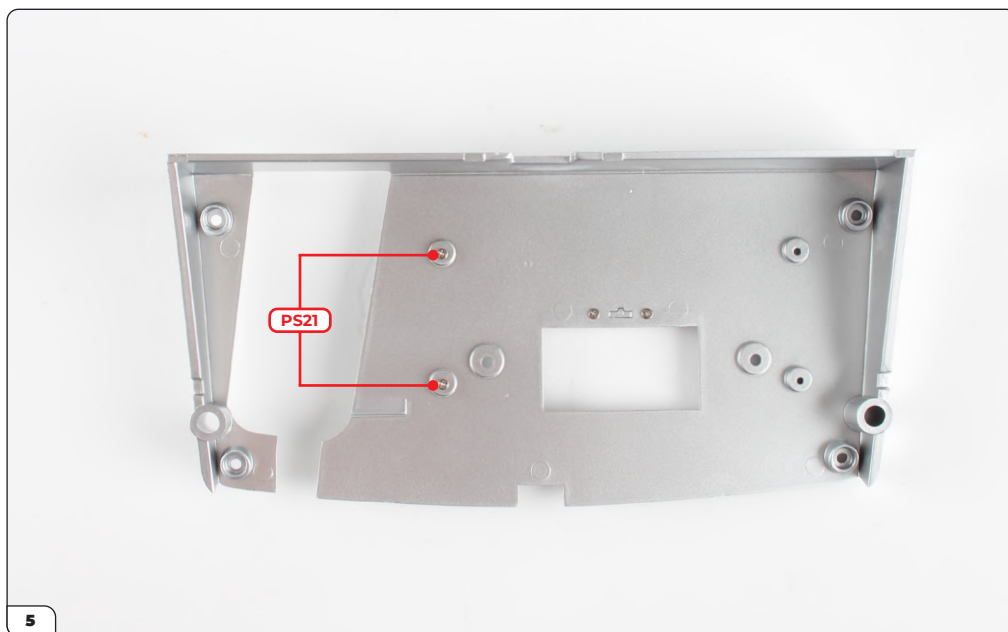


Take the left (65-F) and right (65-E) pistons, marked "L" and "R" (circled), and place them next to the underplate as shown.

Stage 065: Fitting the Mine Dispenser

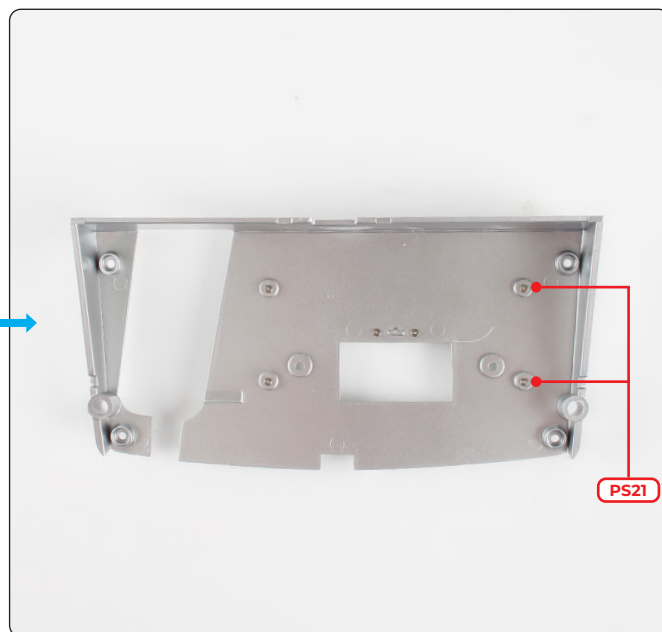
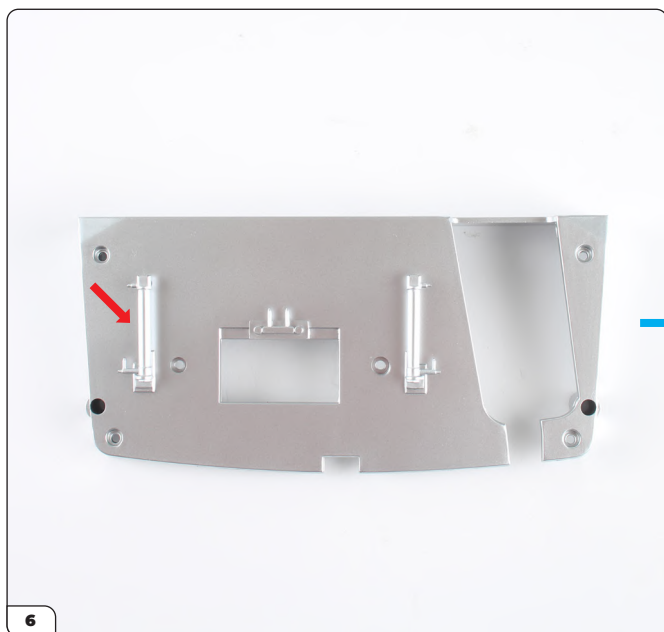


Fit the left piston into the corresponding holes. The pin is spaced so that the pistons cannot fit in the wrong sides.

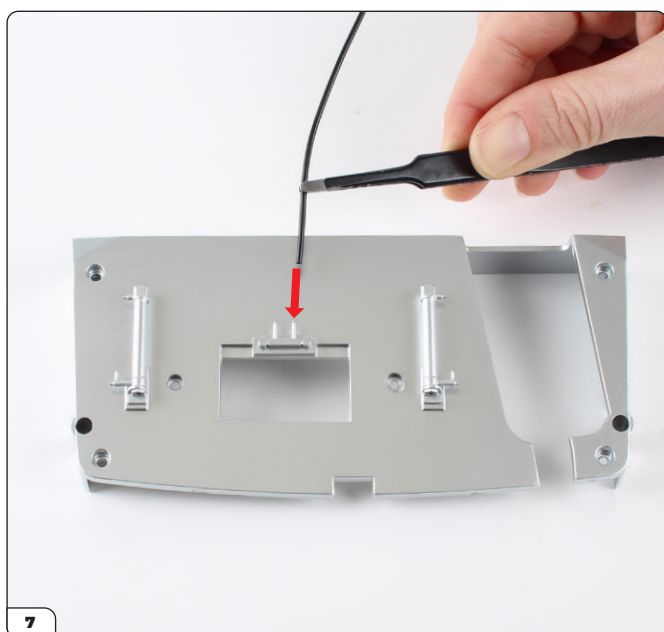


Secure from underneath with 2x PS21 screws.

Stage 065: Fitting the Mine Dispenser



Fit the remaining piston in the same way and secure using 2x PS21 screws.

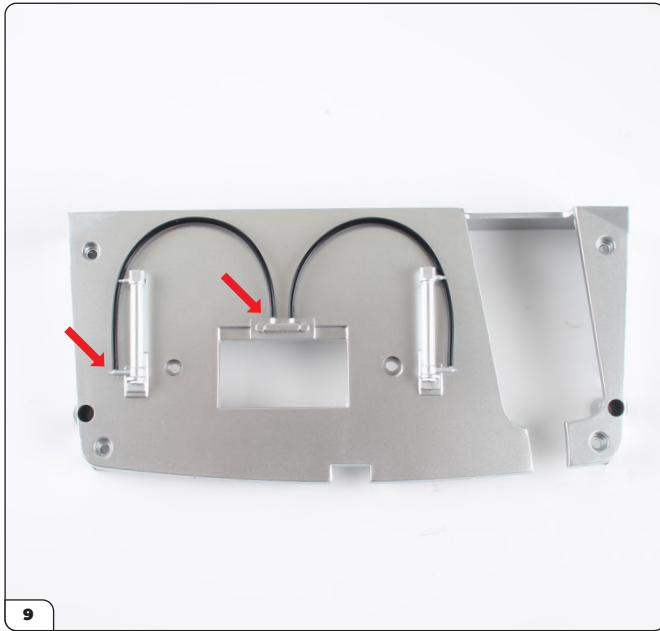


Take one of the pipes (65-D) and fit it onto the pin on the dual connector.

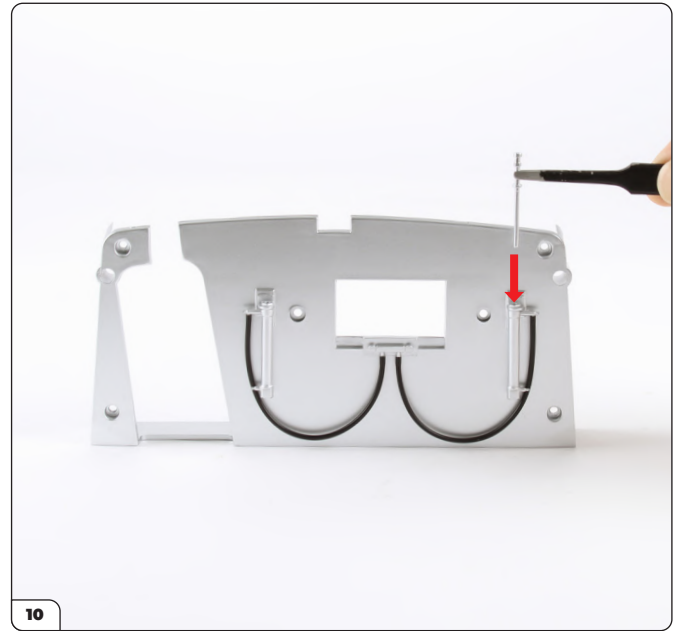


Fit the other end onto the corresponding piston as shown.

Stage 065: Fitting the Mine Dispenser



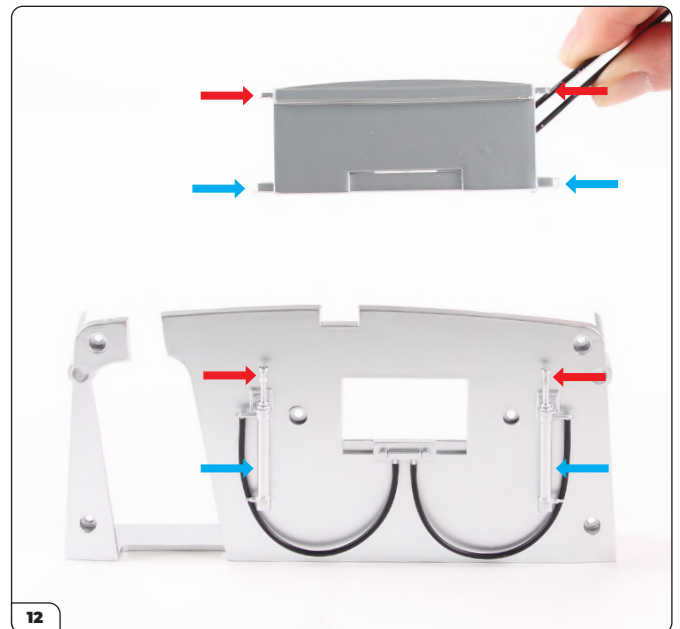
Fit the remaining pipe to the other piston in the same way.



Take one of the piston rods (65-G) and fit it into the piston hole.

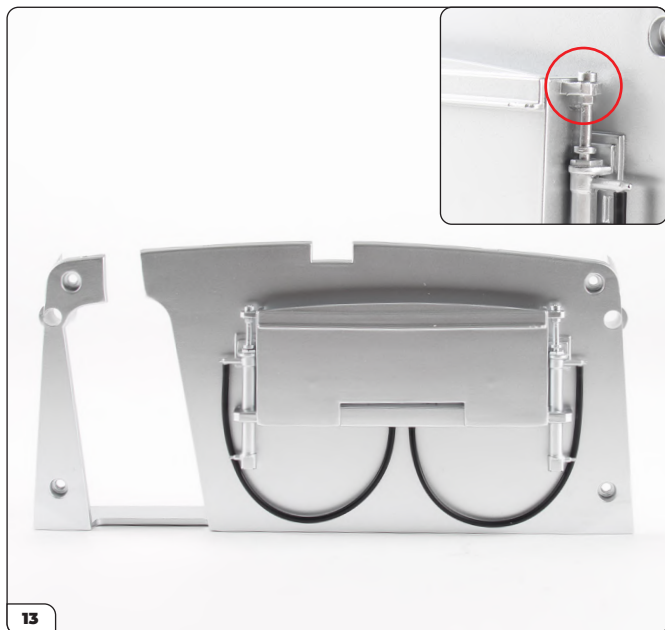


Fit the other piston rod in the same way.

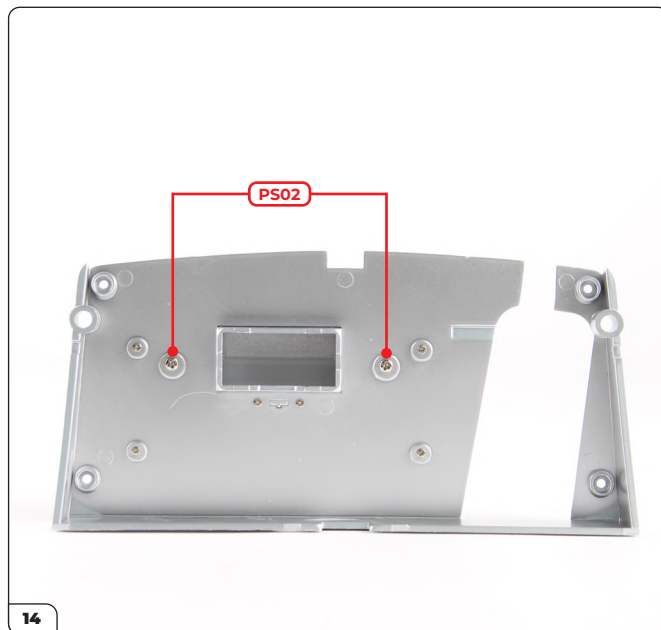


Align the mine dispenser (stage 064) with the underplate. The arrows indicate where the brackets fit over the pistons.

Stage 065: Fitting the Mine Dispenser



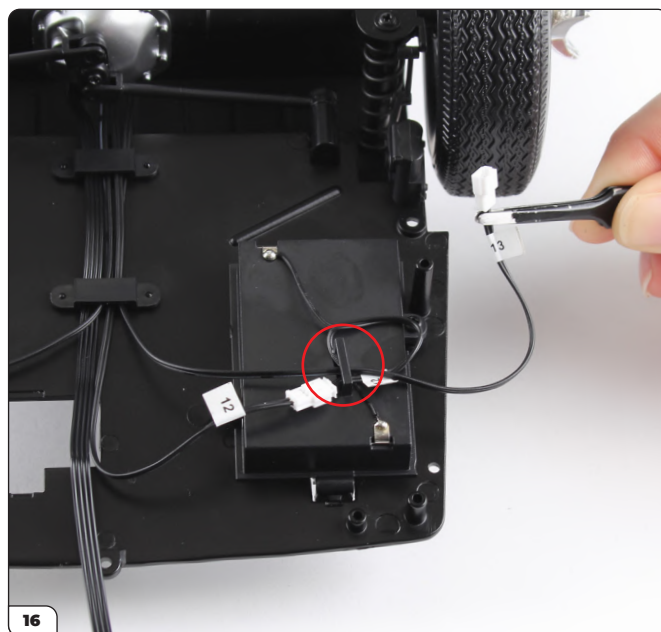
Fit the mine dispenser in place. Make sure the clips are attached to the piston rods (inset).



Secure from the other side with 2x PS02 screws.

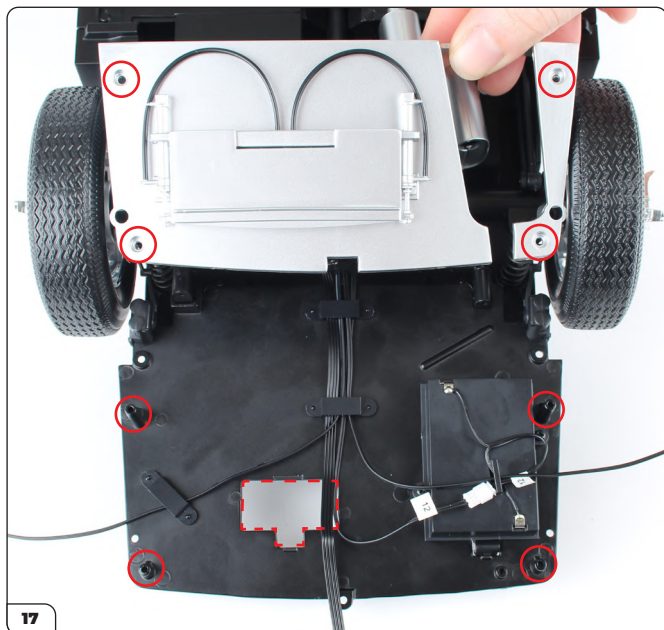


Take the main assembly (stage 064). Fit the wire on the battery compartment (No. 12) into the clip.



Fit the wire marked No. 13 into the same clip.

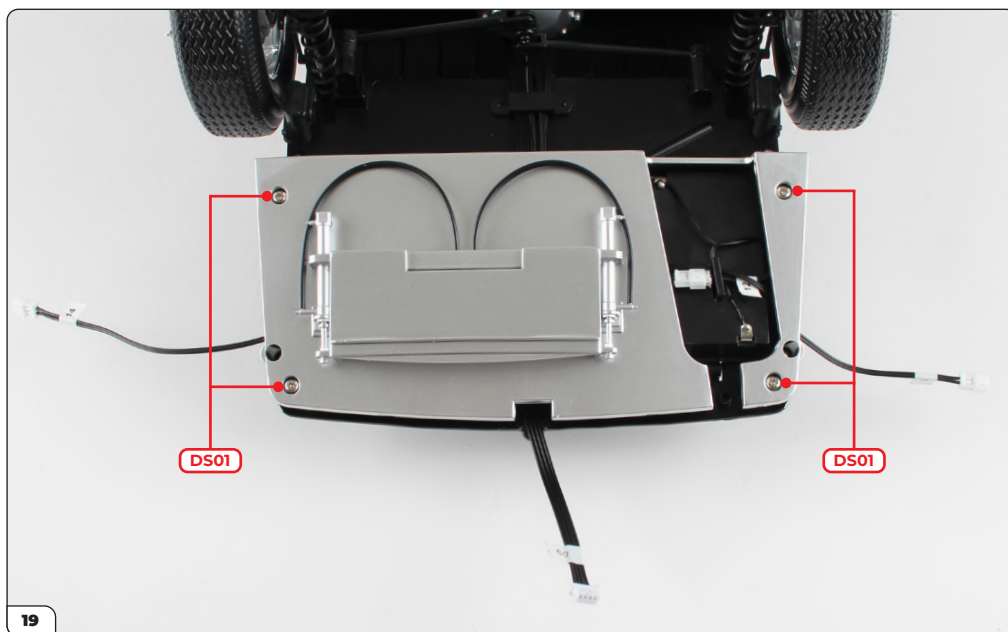
Stage 065: Fitting the Mine Dispenser



Align the underplate assembly with the rear chassis. Make sure all wires are away from the mine compartment opening (dashed line) for the next step.



Fit the underplate in place, making sure the No. 13 and No. 14 wires are positioned in the notches.

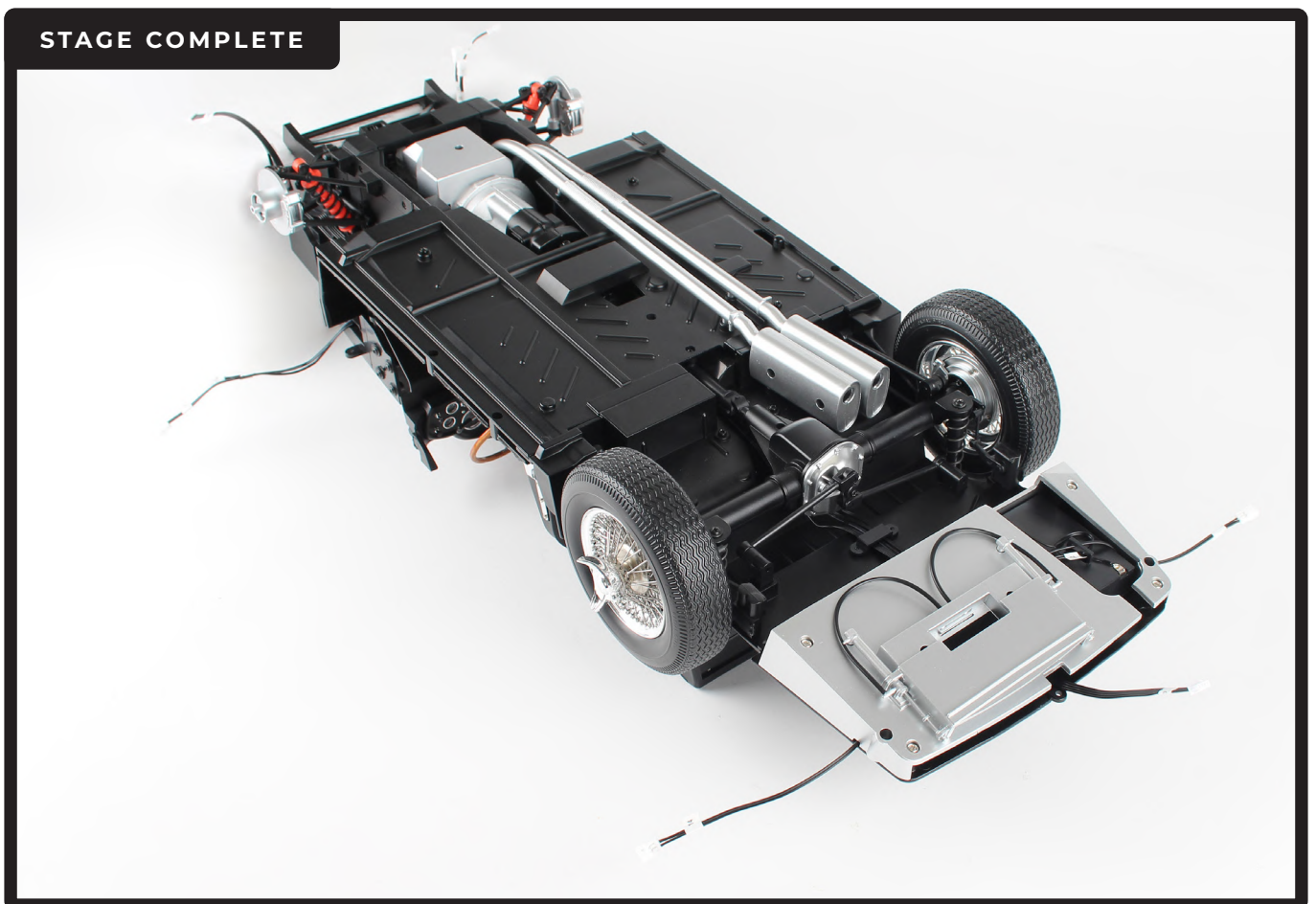


Secure in place with 4x DS01 screws.

Stage 065: Fitting the Mine Dispenser



Fit the mine compartment cover into the opening in the rear chassis.



Stage 066: Fitting the Exhaust Pipes

In the final stage you'll build then fit the exhaust pipes.

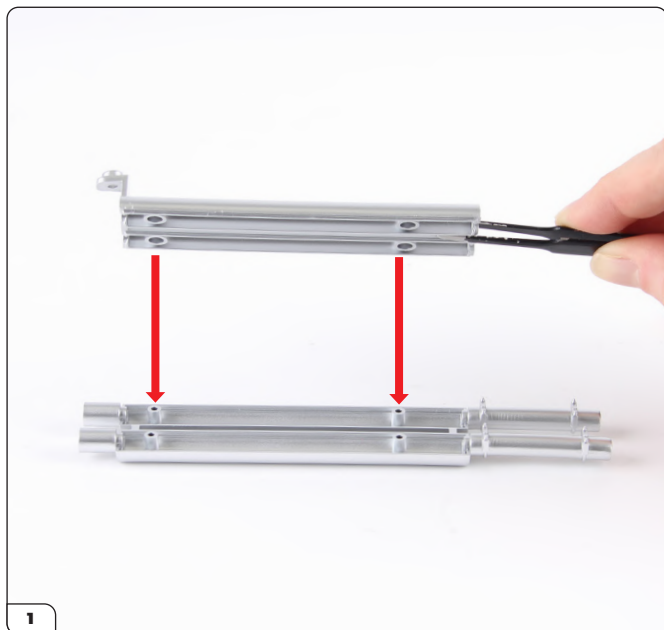


STAGE 066 PARTS LIST

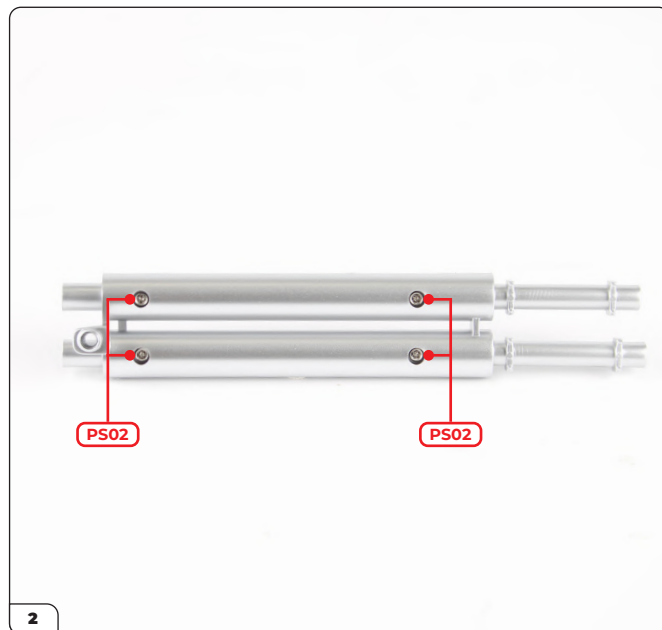
Name
66-A Exhaust pipe (part 1)
66-B Exhaust pipe (part 2)
66-C Exhaust tailpipe x2
DS01 screws x2
PS02 screws x5



Stage 066: Fitting the Exhaust Pipes



Align the two parts of the exhaust pipe (66-A and 66-B) as shown.



Fit together and secure with 4x PS02 screws.

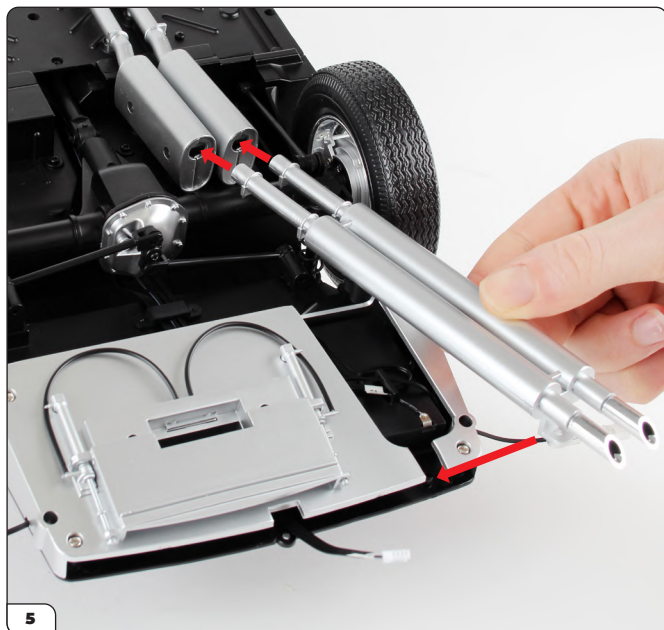


Take one of the exhaust tailpipes (66-C) and fit it into the shaped hole.



Fit the other tailpipe in the same way.

Stage 066: Fitting the Exhaust Pipes



Fit the exhaust pipe ends into the mufflers and align the tab over the screw hole.



Secure with a DS01 screw.

