

Ferrari

250 GTO



Pack 04

BUILD INSTRUCTIONS

STAGE 21: THE LEFT FRONT WHEEL (1)

STAGE 22: THE LEFT FRONT WHEEL (2)

STAGE 23: THE LEFT FRONT WHEEL (3)

STAGE 24: THE LEFT FRONT WHEEL (4)

STAGE 25: THE REAR AXLE AND DIFFERENTIAL

STAGE 26: THE LEFT REAR LEAF SPRING

STAGE 27: THE LEFT REAR SUSPENSION

STAGE 28: THE RIGHT REAR LEAF SPRING

STAGE 29: THE RIGHT REAR SUSPENSION

STAGE 30: THE CHASSIS

Advice from the experts

To help you get the best out of building the Ferrari 250 GTO, we've prepared a modellers checklist with hints, tips and advice from our experts. The information below is aimed at making your build as enjoyable and professional as possible right from the start.

Have a soft cloth ready to place on your work surface to prevent scratching the paintwork.

Spare screws are included with each part. Occasionally, you may be instructed to keep spare or unused screws for a later stage. Keep these spares in a safe place and label them correctly.

Please make sure you don't mix up the screws. They look quite similar, but the threads do vary slightly. Using the wrong screws may damage the parts.

When securing parts together using multiple screws, fit each screw loosely to ensure all the parts are correctly aligned before gently tightening them firmly, but not overtight, in the order in which you placed them.

The screwdriver can be magnetized by stroking it with a magnet (fridge magnet, etc.) enabling it to hold the screws and make assembly easier.

If a screw is tight going into a metal part, do not force it as you may shear the head off. Remove it and put a tiny smear of Vaseline, soap or light oil on the thread. That will lubricate it and make it easier to drive home.

Only use the correct size screwdriver that fits the screw head firmly.

Use a magnet to help find screws that have fallen on the floor.

Use masking tape to hold parts temporarily in place.

Cut parts from a sprue (framework) with side cutters or a craft knife. Side cutters tend to be easiest.

During the course of this build, you will receive many pieces that you will assemble immediately – following the instructions in the corresponding stage – and other pieces that you should store safely to one side, for use in future assembly stages.

Left and Right! When building your *Ferrari 250 GTO*, the left- or right-hand side refers to that side as if you are sitting in the car.



WARNING: Some parts are assembled using magnets. These magnets can cause serious injury if they are swallowed. Keep away from children. If you suspect a magnet has been swallowed, seek medical help straight away.

All parts belong to a kit. Collectors item for adults.

Not suitable for children under 14.

Produced under license of Ferrari S.p.A. The name FERRARI, the PRANCING HORSE device, all associated logos and distinctive designs are property of FERRARI S.p.A. The body designs of the Ferrari cars are protected as Ferrari S.p.A. property under design, trademark and trade dress regulations.

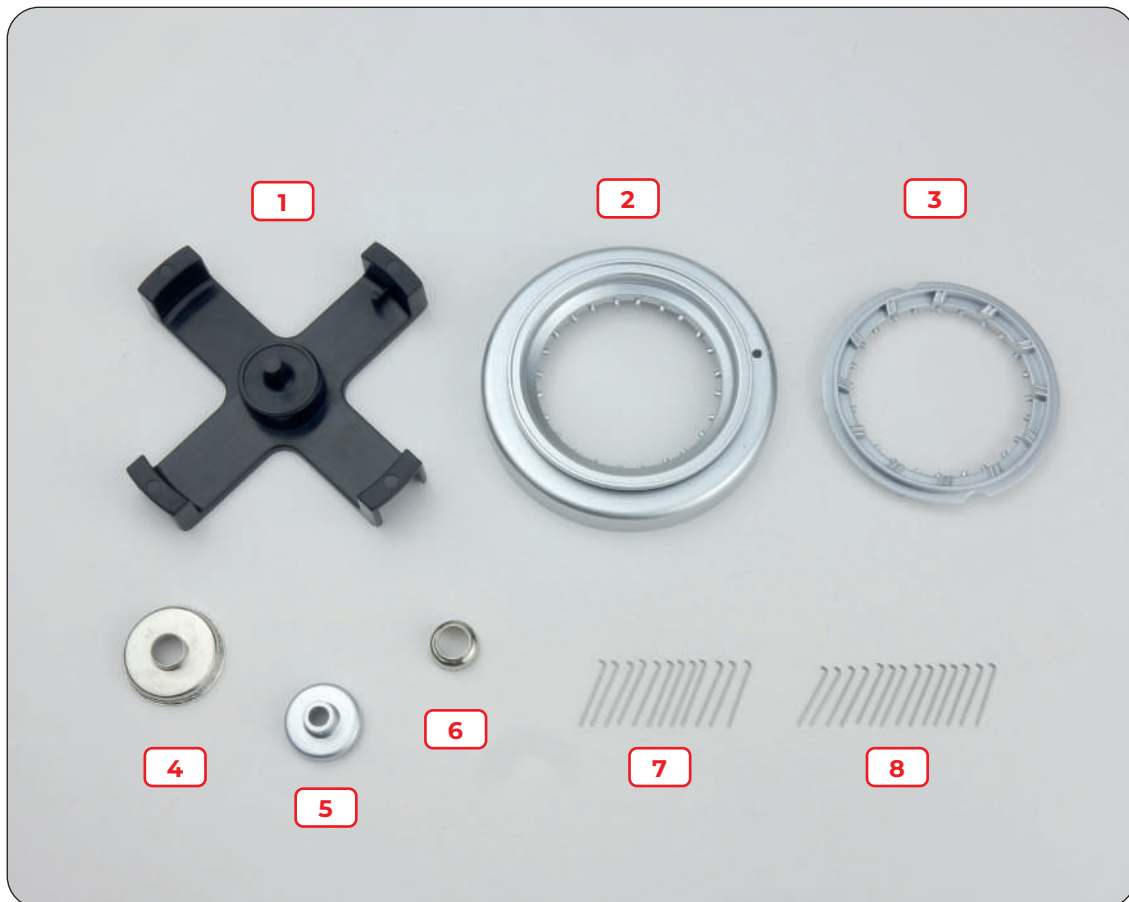
Stage 21: The Left Front Wheel (1)

In this stage you'll start assembling the left front wheel of your Ferrari 250 GTO model. You'll continue assembling it over the coming stages.

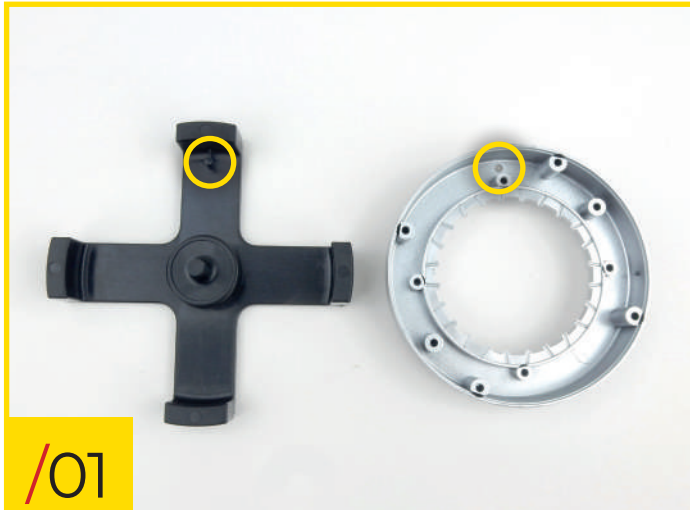


STAGE 21 PARTS LIST

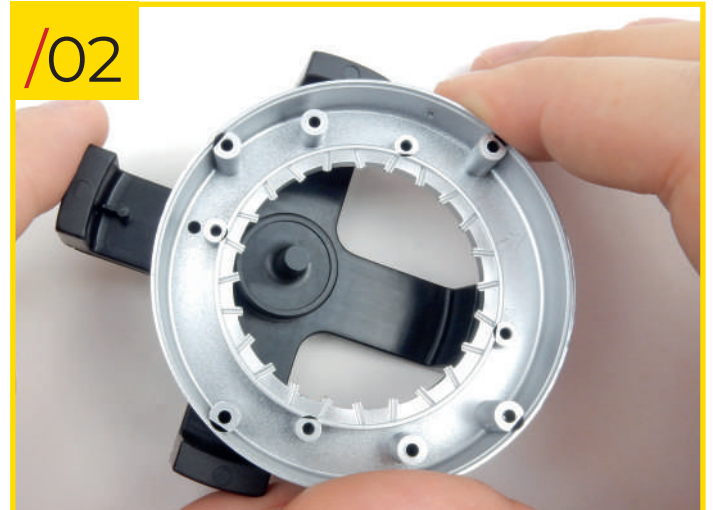
Name	Name
1 Jig	6 Type C hub
2 Wheel rim (Inner)	7 Type A spokes
3 Spoke retainer ring 1	8 Type B spokes
4 Type A hub	
5 Type B hub	



Stage 21: The Left Front Wheel (1)



21/01 Place the jig and inner wheel rim on your workbench. The jig has a small fixing stud on it, this should be inserted into the corresponding hole in the rim.



21/02 Insert the stud into the hole to fix the rim onto the jig. Before proceeding with the assembly, we recommend that you stick a small piece of double-sided sticky tape to the jig's central stud - this will help to hold the hubs in place. Alternatively, you can lay all the spokes in position and then dab a bead of glue on each one after stage 21/08.



21/03 Place the type B hub onto the jig's central stud; once in place, press the type A hub on top of it, as shown in the photo.

21/04 Before adding the spokes, we recommend that you stick some small strips of double-sided sticky tape to the internal edge of the rim. This will help to hold the spokes in place during the assembly. Alternatively, you can dab a bead of glue onto each spoke once they are in position.

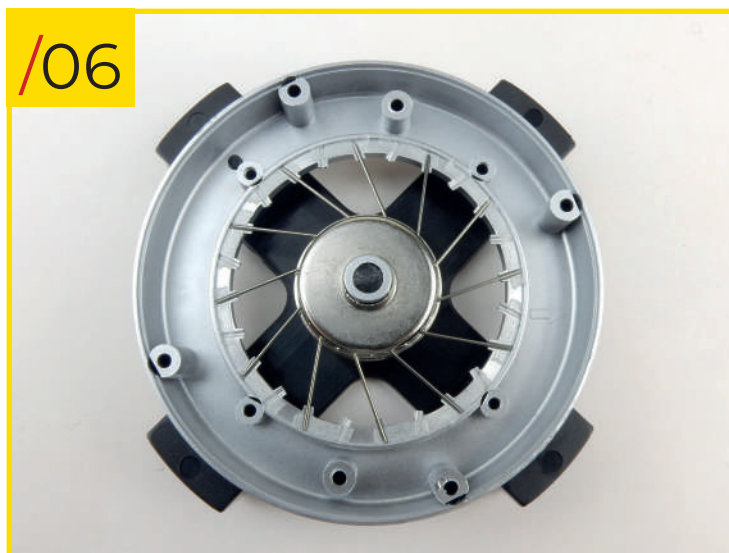


Stage 21: The Left Front Wheel (1)



21/05 Position the type B spokes (they are shorter than the type A ones) by inserting their hooked end into the lower row of holes in the type A hub. Place the straight end of the spokes onto the corresponding notch on the edge of the rim (on the double-sided sticky tape). Always leave an empty hole between each spoke in the hub.

21/06 Look at the photo to check that you've correctly positioned the type B spokes.

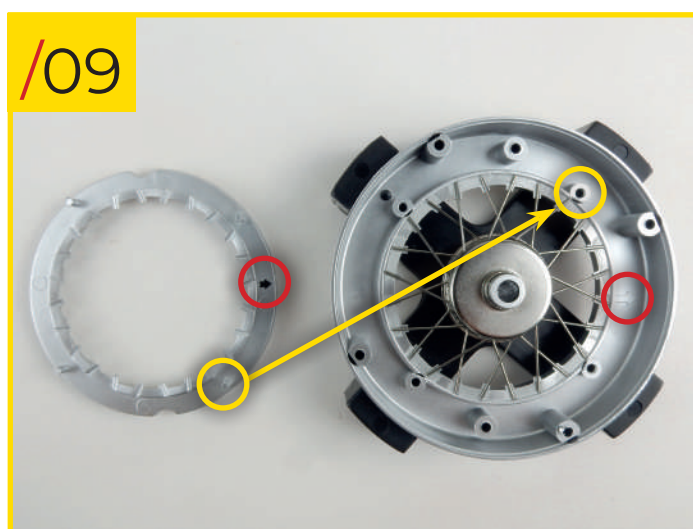


21/07 Now position the type A spokes (they are longer than the type B ones) by inserting their hooked end into the upper row of holes immediately to the left of the type B spokes, making sure they pass over the spokes inserted into the lower row of holes. Use the photo to help identify which notch you should position the other end of the spoke on. Always leave an empty hole between each spoke in the hub.

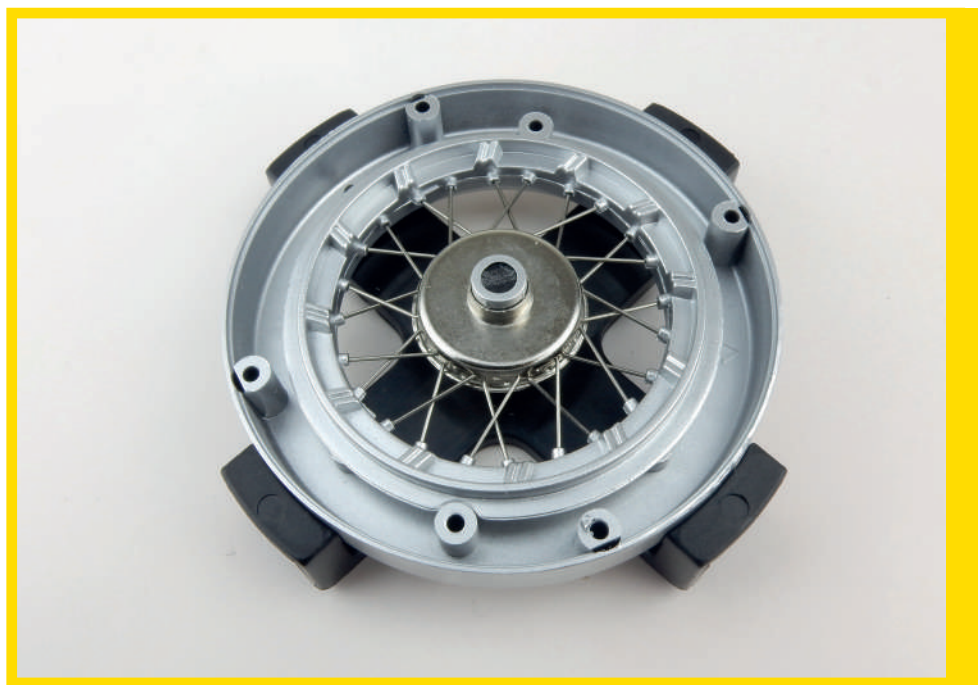
Stage 21: The Left Front Wheel (1)



21/08 Look at the photo to check that you've positioned all the spokes correctly.



21/09 Finally, fit the spoke retainer ring 1 onto the internal edge of the rim. Use the photo and the arrows printed on the pieces to fit them together correctly.



STAGE 21 IS COMPLETE
Here's how the left front wheel looks at the end of this assembly phase. Keep the type C hub safe.

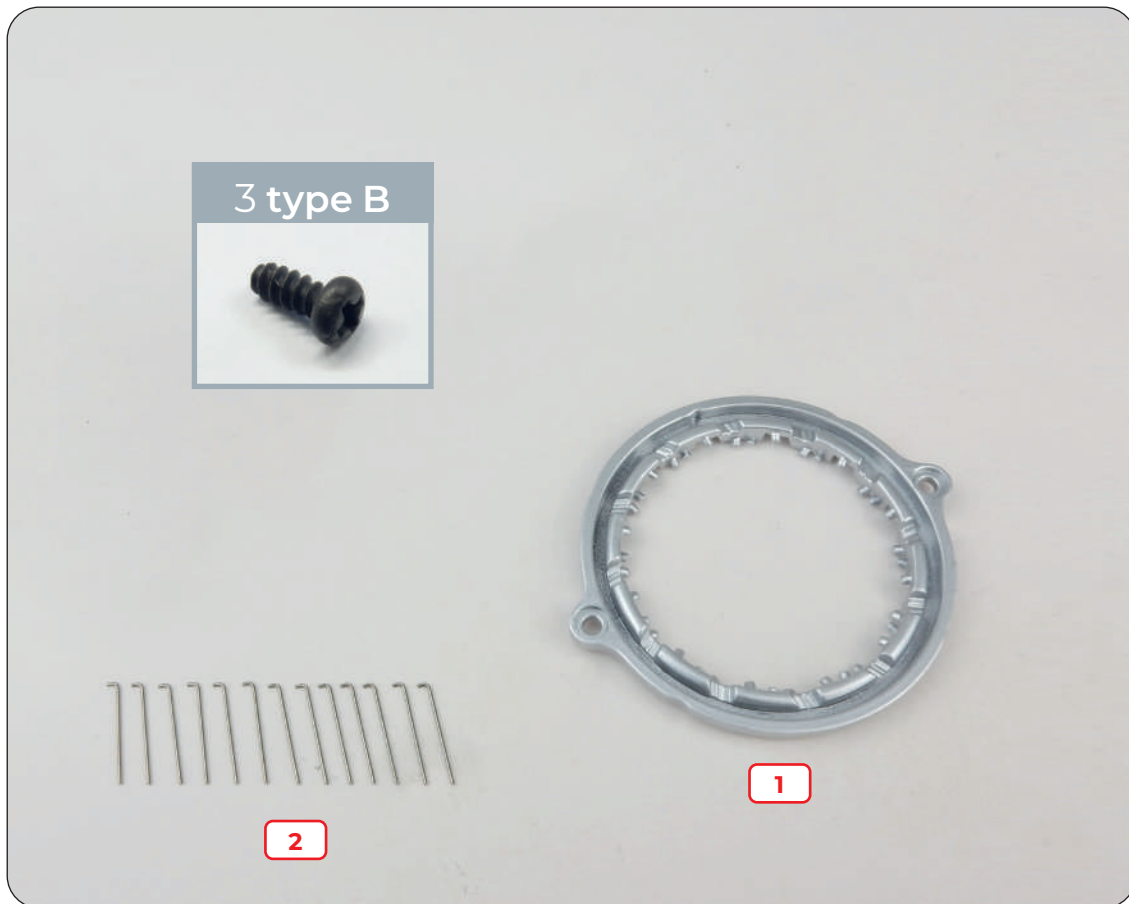
Stage 22: The Left Front Wheel (2)

In this stage you'll continue assembling your model's left front wheel. As always, make sure you follow the instructions and the associated photos carefully.



STAGE 22 PARTS LIST

Name	Name
1 Spoke retainer ring 2	3 type B screws
2 Type A spokes	



Stage 22: The Left Front Wheel (2)



22/01 Place the left front wheel that you assembled in stage 21 on your workbench. Before proceeding with the assembly, we recommend that you stick small strips of double-sided sticky tape to the side edge of the spoke retainer ring 1. Alternatively, you can lay all the spokes in position and then dab a bead of glue on each one after stage 22/03.

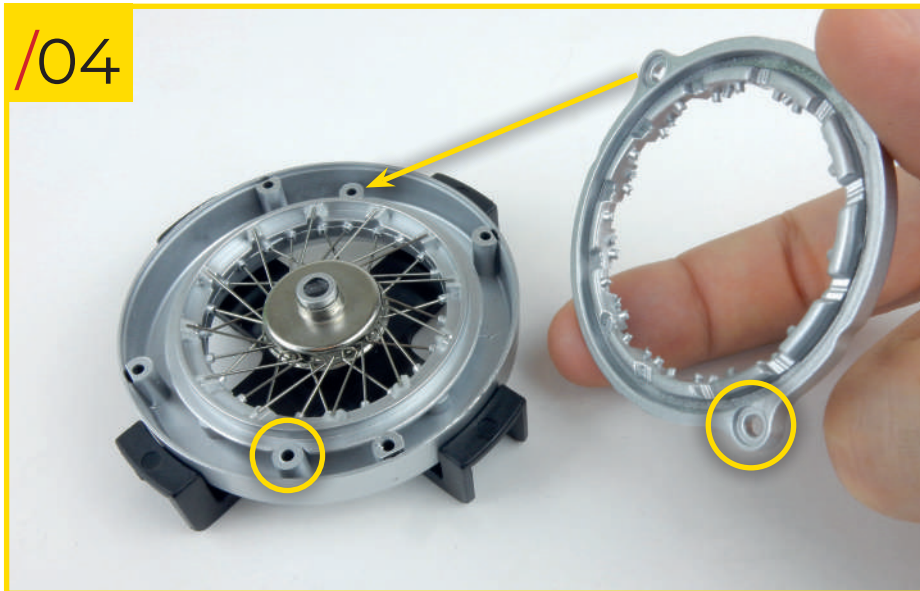
22/02 Insert the hooked end of the type A spokes into the holes remaining in the lower row on the hub. Place the straight end of the spokes onto the corresponding notch on the edge of the spoke retainer ring 1.



22/03 Look at the photo to check that you've correctly positioned the type A spokes.

Stage 22: The Left Front Wheel (2)

/04



22/04 Fit spoke retainer ring 2 onto the the assembly using the photo to help fit it correctly.

22/05 Secure the pieces together using two type B screws.



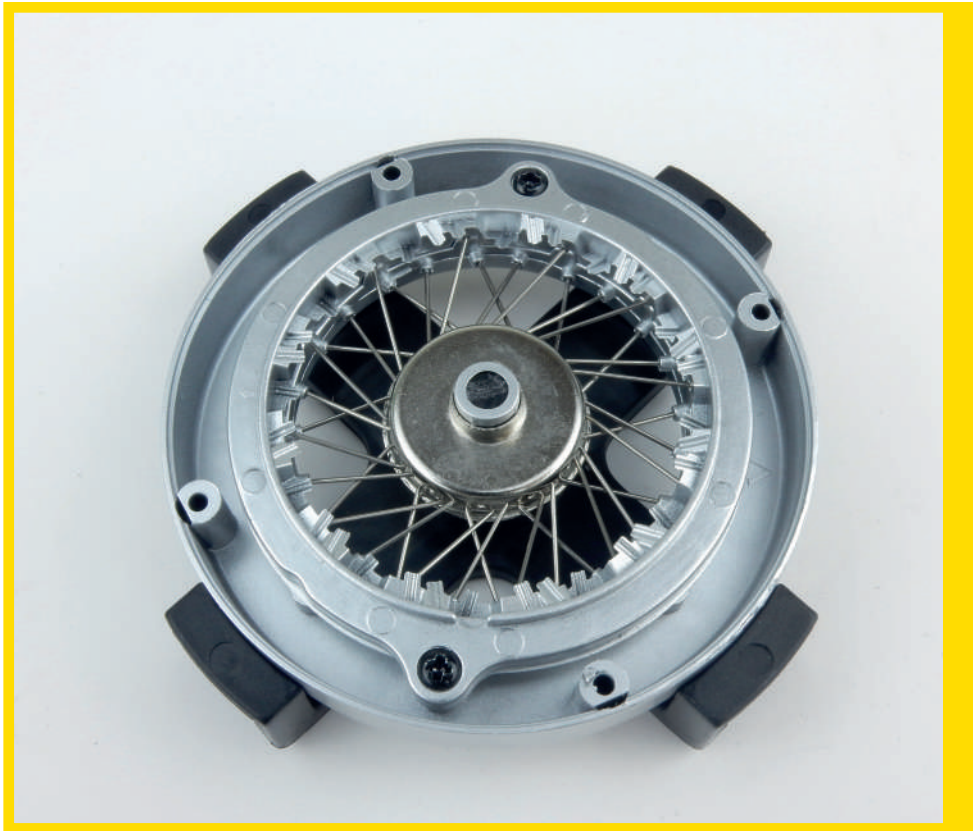
/05

/06



22/06 Look at the photo to check that you've installed all the components correctly.

Stage 22: The Left Front Wheel (2)



STAGE 22 IS COMPLETE
Here's how the left front
wheel of your Ferrari 250
GTO looks at the end of
this assembly phase.

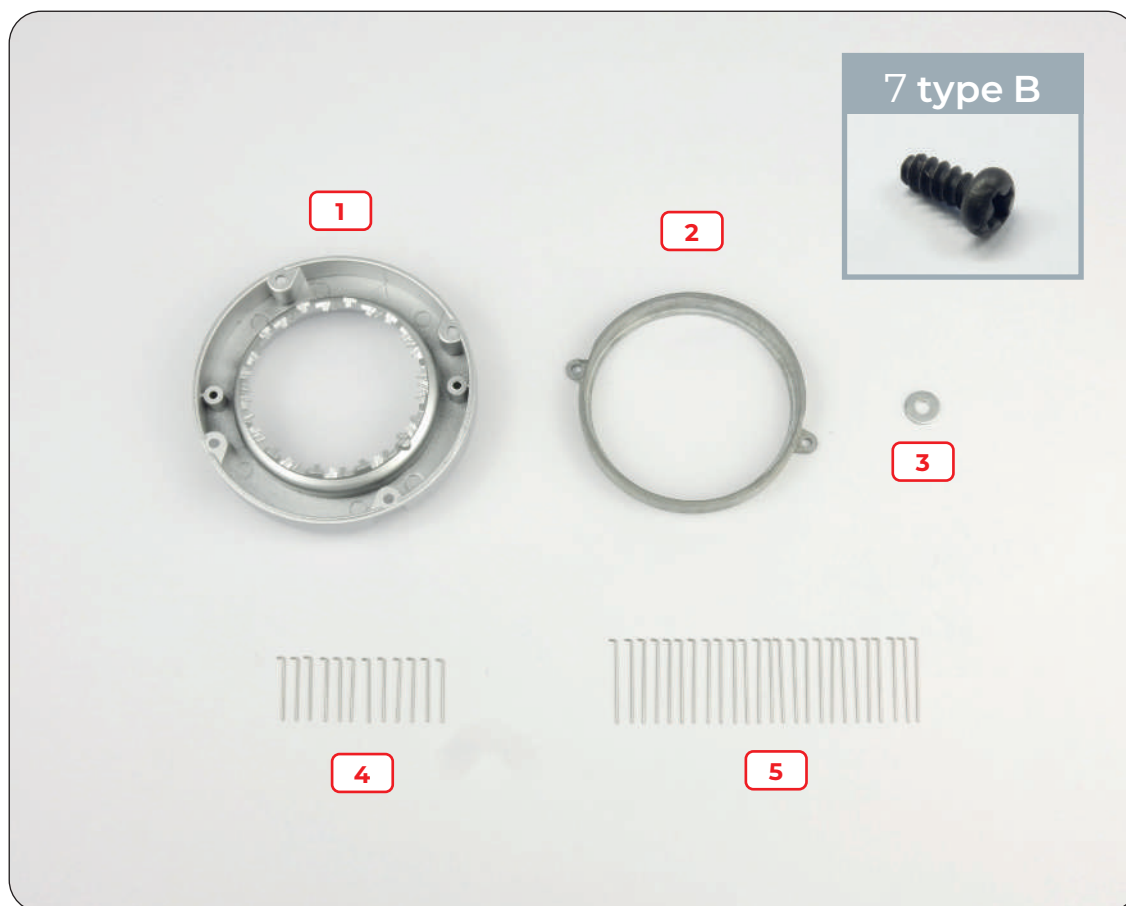
Stage 23: The Left Front Wheel (3)

In this stage you'll continue assembling your model's left front wheel. You will then complete it in the following stage.



STAGE 23 PARTS LIST

Name	Name
1 Outer wheel rim	7 type B screws
2 Sealing ring	
3 Washer	
4 Type A spokes	
5 Type C spokes	



Stage 23: The Left Front Wheel (3)

/01



23/01 Place the left front wheel that you assembled in the previous stages on your work surface. Before proceeding with the assembly, we recommend that you stick small strips of double-sided sticky tape to the side edge of the spoke retainer ring 2. Alternatively, you can lay all the spokes in position and then dab a bead of glue on each one.

/02



23/02 Insert the hooked end of the type A spokes into the remaining holes in the type A hub. Use the photo to help orientate the spokes correctly and to put their straight end on the corresponding notch on the top level of the retainer ring.

/03



23/03 Once all the type A spokes have been added, position the type C hub that you received with stage 21 as shown in the photo.

/04



23/04 Insert the hooked end of one type C spoke into one of the holes in the lower row on the type C hub.

Stage 23: The Left Front Wheel (3)



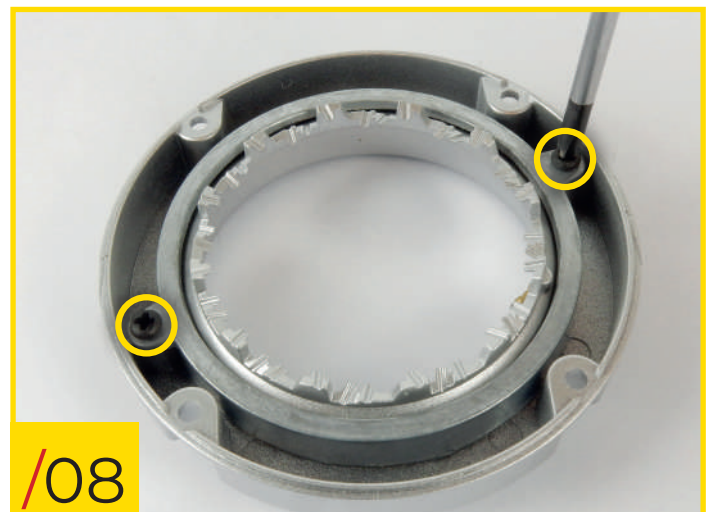
23/05 Place the straight end of the spoke on the notch on the lower level of the retainer ring as shown in the photo. Repeat these steps for the other eleven type C spokes, until all the holes in the lower row on the hub have been filled.



23/06 Now insert the hooked end of one type C spoke into one of the holes in the top row on the type C hub.

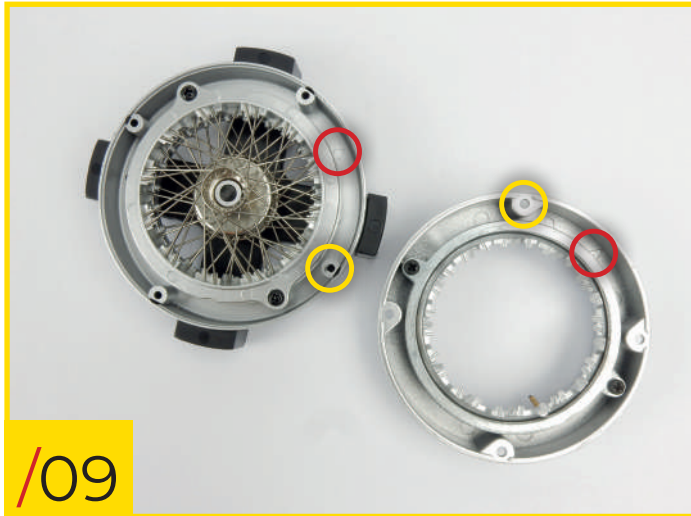


23/07 Place the straight end of the spoke onto the corresponding notch on the top level of the retainer ring. Repeat these steps for the other eleven type C spokes, until all the holes in the top row on the hub have been filled.



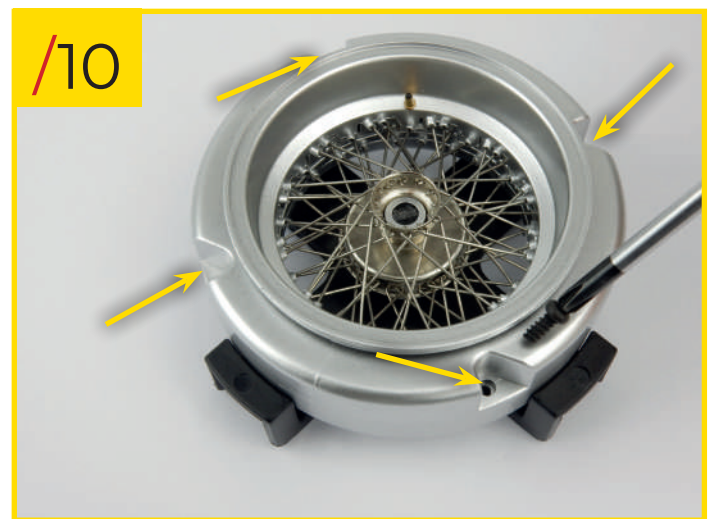
23/08 Fix the sealing ring to the inner edge of the outer wheel rim. Orientate the pieces as shown and secure them together using two type B screws.

Stage 23: The Left Front Wheel (3)



23/09 Fit the outer wheel rim to the rest of the wheel. To line up the holes, match up the arrows circled in red.

23/10 Secure the rim to the rest of the wheel using four type B screws.



STAGE 23 IS COMPLETE
Here's how the left front wheel of your model looks at the end of this assembly stage. As always, keep it somewhere safe together with the other pieces.

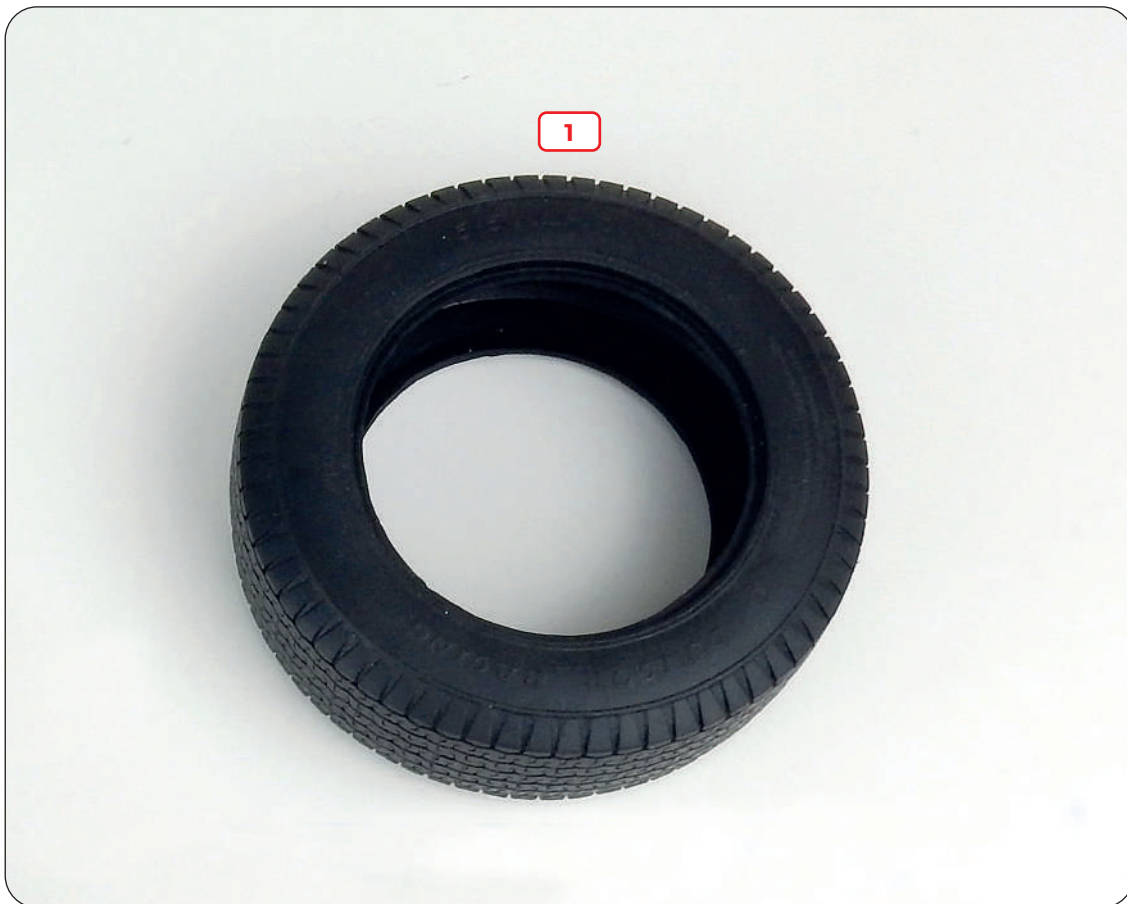
Stage 24: The Left Front Wheel (4)

In this stage you'll finish assembling the left front wheel by adding the tyre.



STAGE 24 PARTS LIST

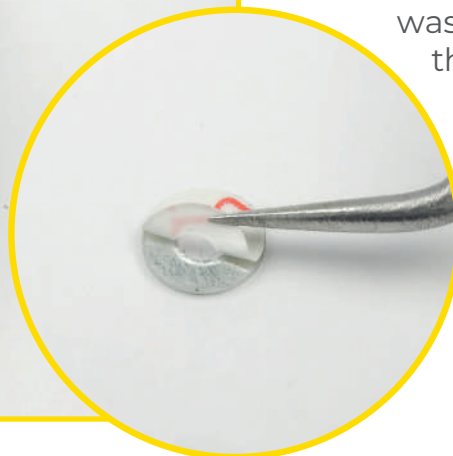
Name
1 Tyre



Stage 24: The Left Front Wheel (4)

/01

24/01 Place the left front wheel and the washer you received with stage 23 on your work surface. Remove the protective film from one of the sides of the washer, as shown in the round photo.



24/02 With the side of the washer that had the film removed facing downwards, insert it into the type C hub, as shown in the photo.

/02



/03



24/03 Look at the photo to check that you've positioned the washer correctly.

Stage 24: The Left Front Wheel (4)



24/04 Before adding the tyre to the rest of the wheel, we recommend that you warm it up slightly (using a hair dryer, for example) to make it more malleable.

24/05 Check to make sure that the tyre is malleable enough.



24/06 Slip the tyre onto the rim of the left front wheel.

Stage 24: The Left Front Wheel (4)



STAGE 24 IS COMPLETE
You have now finished
assembling your model's
left front wheel. Keep it
somewhere safe together
with the other pieces.

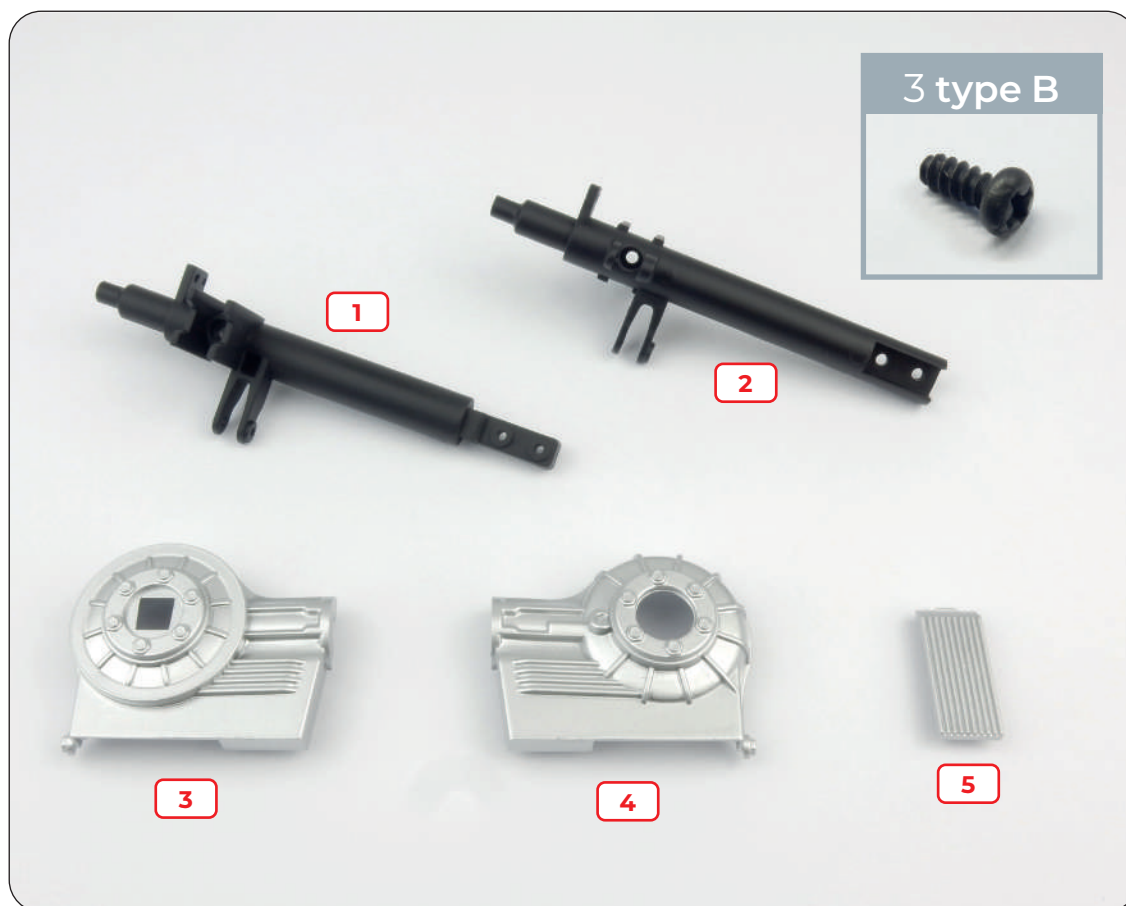
Stage 25: The Rear Axle And Differential

In this stage you'll assemble the rear axle and the differential housing. Follow the instructions carefully and keep what you build during this session in a safe place, together with the other pieces.



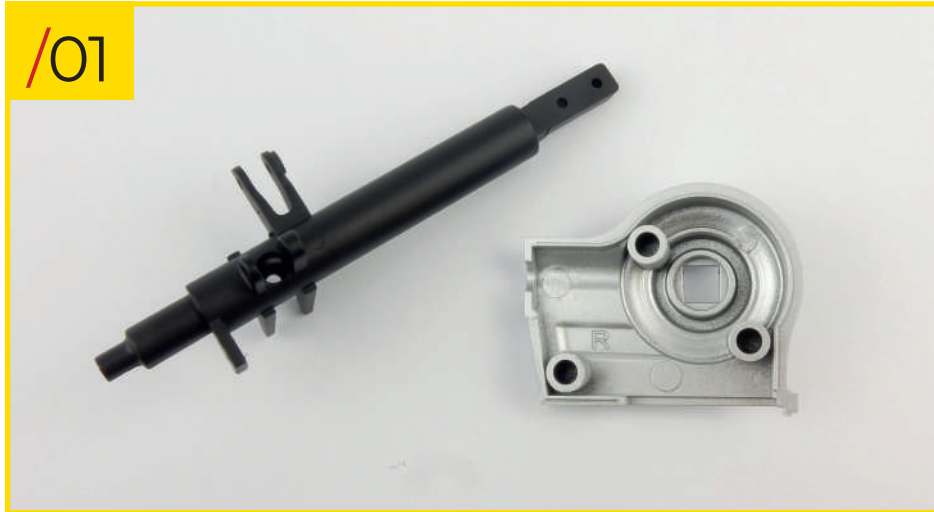
STAGE 25 PARTS LIST

Name	Name
1 Right axle shaft	3 type B screws
2 Left axle shaft	
3 Right half of the differential housing	
4 Left half of the differential housing	
5 Differential housing cover	



Stage 25: The Rear Axle And Differential

/01



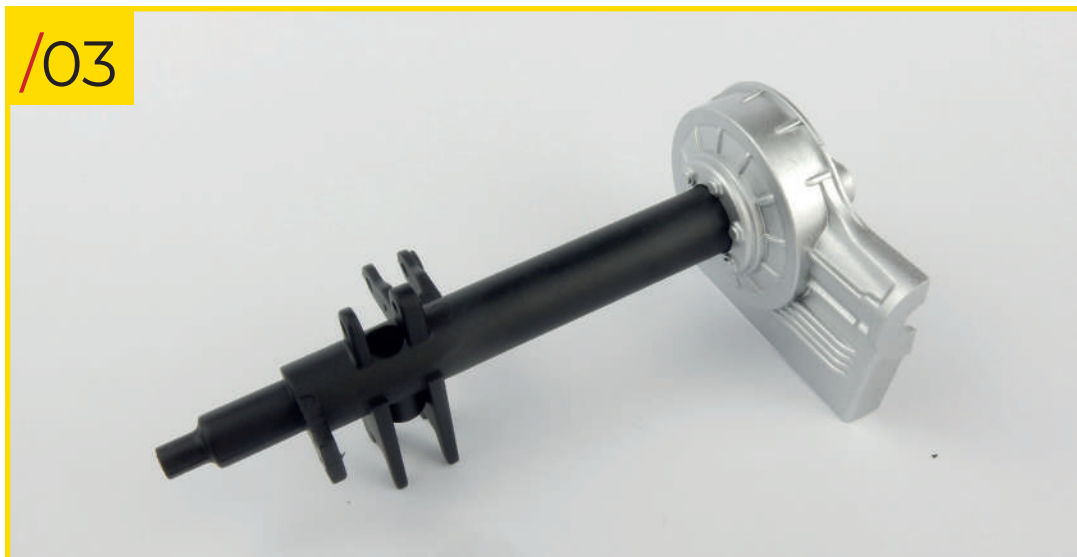
25/01 Place the right axle shaft and the right half of the differential housing (marked with the letter "R") on your work surface.

/02

25/02 Push the right axle shaft into the right half of the differential housing. Orientate the pieces as shown and push fully into place.



/03



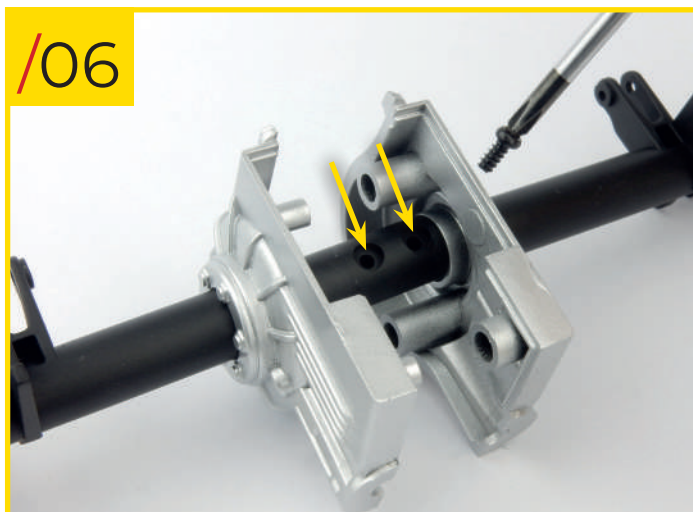
25/03 Look at the photo to check that you've fitted the pieces together correctly.

Stage 25: The Rear Axle And Differential



25/04 Push the left axle shaft into the left half of the differential housing. Orientate the pieces as shown in the photo.

25/05 Fit the two axle shafts together. Orientate the pieces as shown and ensure the holes at the ends of the two half axle shafts line up.

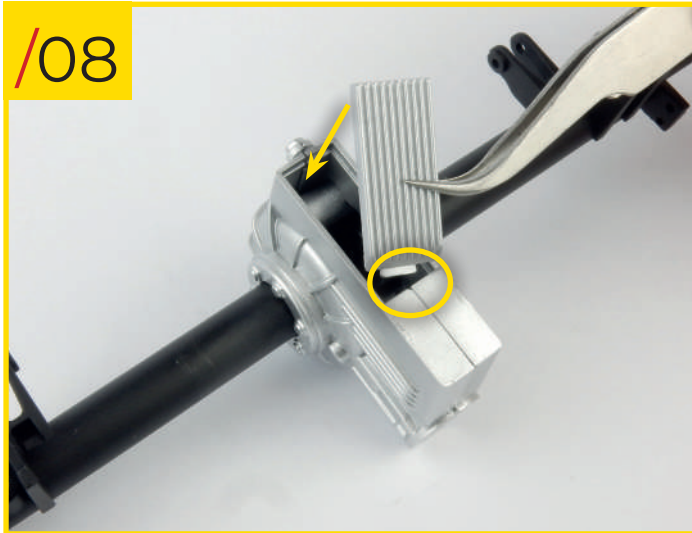


25/06 Turn the assembly around and screw two type B screws into the holes indicated in the photo to secure the pieces together.

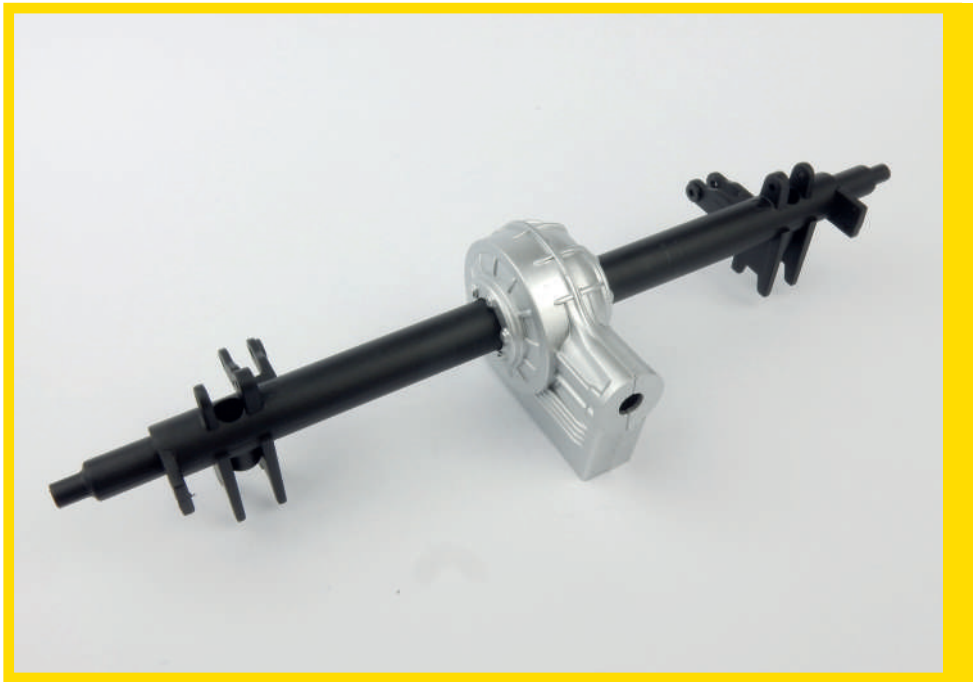


25/07 Bring the two halves of the differential housing together by sliding the left half towards the right half.

Stage 25: The Rear Axle And Differential



25/08 Place the differential housing cover on top to complete the assembly.



STAGE 25 IS COMPLETE
Here's how the differential housing and the axle shaft look at the end of this assembly session.

Stage 26: The Left Rear Leaf Spring

In this stage you'll assemble the left rear leaf spring and fit it to the axle shaft.



STAGE 26 PARTS LIST

Name	Name
1 Left rear leaf spring	3 type B screws
2 Front bracket	3 type H screws
3 Rear bracket	
4 Central bracket	

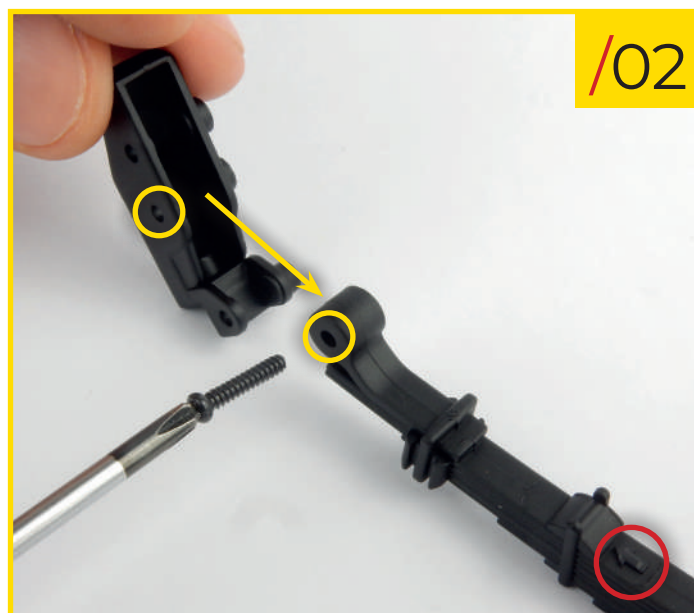


Stage 26: The Left Rear Leaf Spring



26/01 Place the left rear leaf spring on your work surface. You'll see there's an arrow at one end (circled in the photo): this arrow should face the front of your model, so use it as a reference to guide you during this session.

26/02 Fit the front bracket to the front end of the leaf spring. Orientate the pieces as shown and ensure the holes indicated in the photo line up.

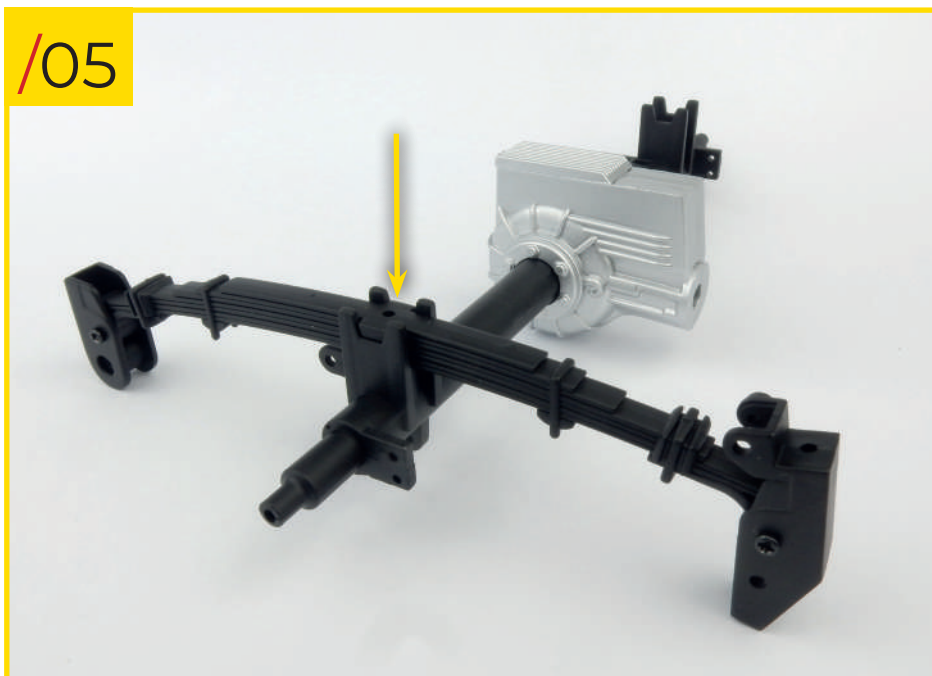


26/03 Secure the pieces together using a type H screw.

26/04 Add the rear bracket to the other end of the leaf spring, orientating the pieces as shown in the photo. Secure them together using a type H screw.

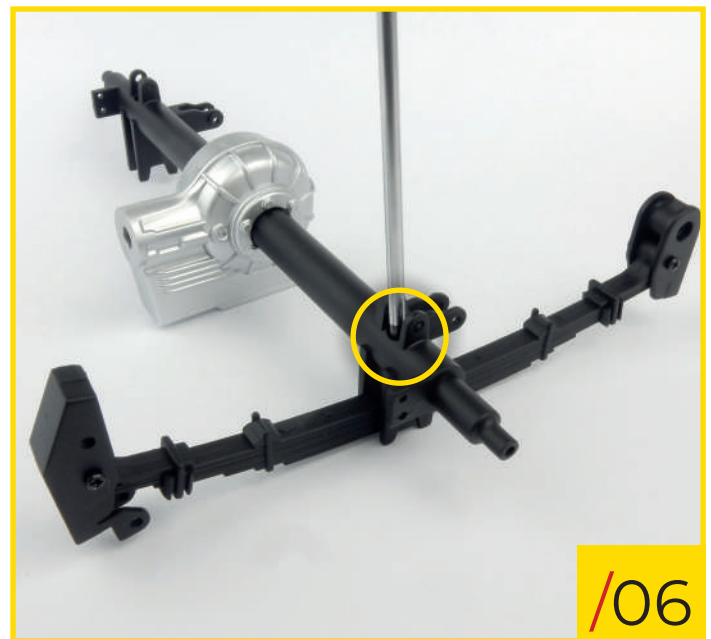


Stage 26: The Left Rear Leaf Spring



26/05 Retrieve the assembly you built in stage 25. Orientate the pieces as shown and fit the leaf spring onto the left half of the axle shaft.

26/06 Turn the assembly over and secure the pieces together using a type B screw.

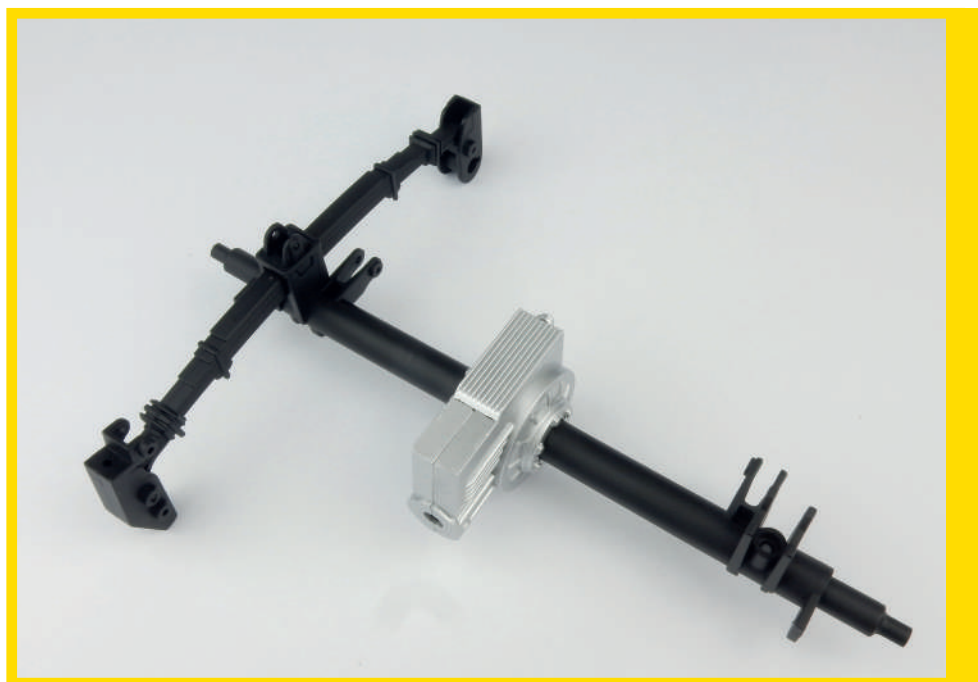


26/07 Turn the assembly over again and fit the central bracket into the position indicated in the photo. Ensure that the circled lug is oriented towards the rear end of the leaf spring.

Stage 26: The Left Rear Leaf Spring



26/08 Secure the central bracket to the rest of the assembly using a type B screw.



STAGE 26 IS COMPLETE
Here's how the left rear leaf spring looks after it's been fitted to the axle shaft.

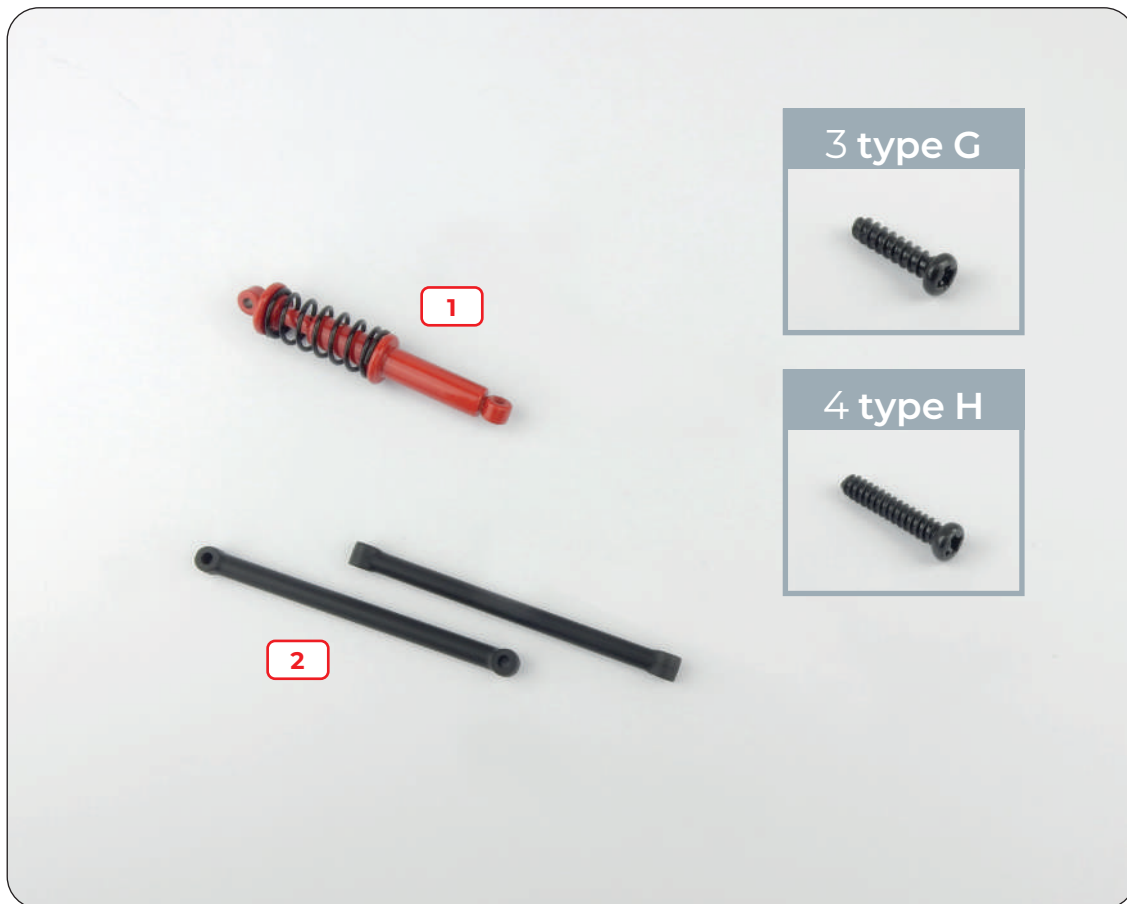
Stage 27: The Left Rear Suspension

In this stage you'll assemble the components for the left rear suspension.



STAGE 27 PARTS LIST

Name	Name
1 Shock absorber	3 type G screws
2 Reaction struts	4 type H screws

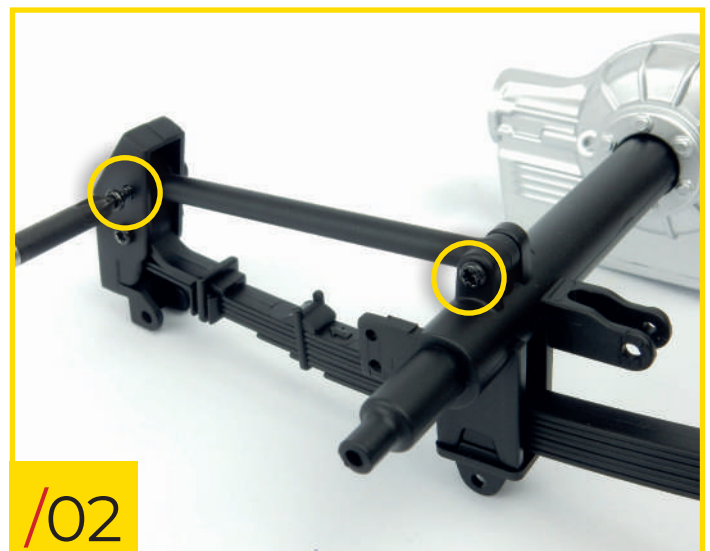


Stage 27: The Left Rear Suspension



27/01 Retrieve the assembly you built in stage 26. Place one of the reaction struts onto the left rear leaf spring, as shown in the photo.

27/02 Screw two type H screws into the holes indicated to secure the pieces together.



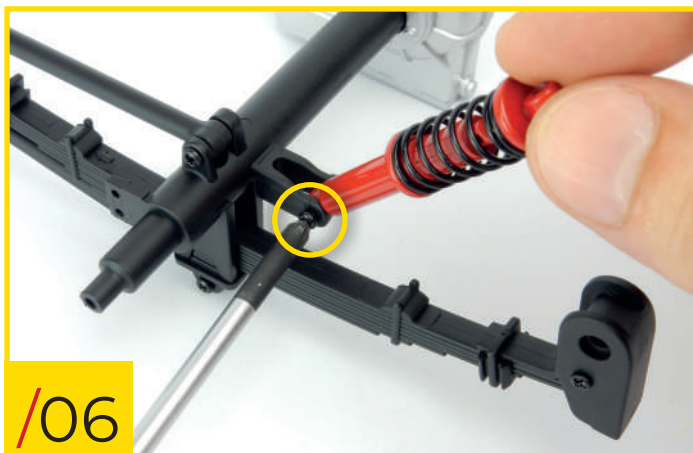
27/03 Position the second strut as shown and secure one end to the spring's central bracket by screwing a type G screw into the hole indicated.

Stage 27: The Left Rear Suspension



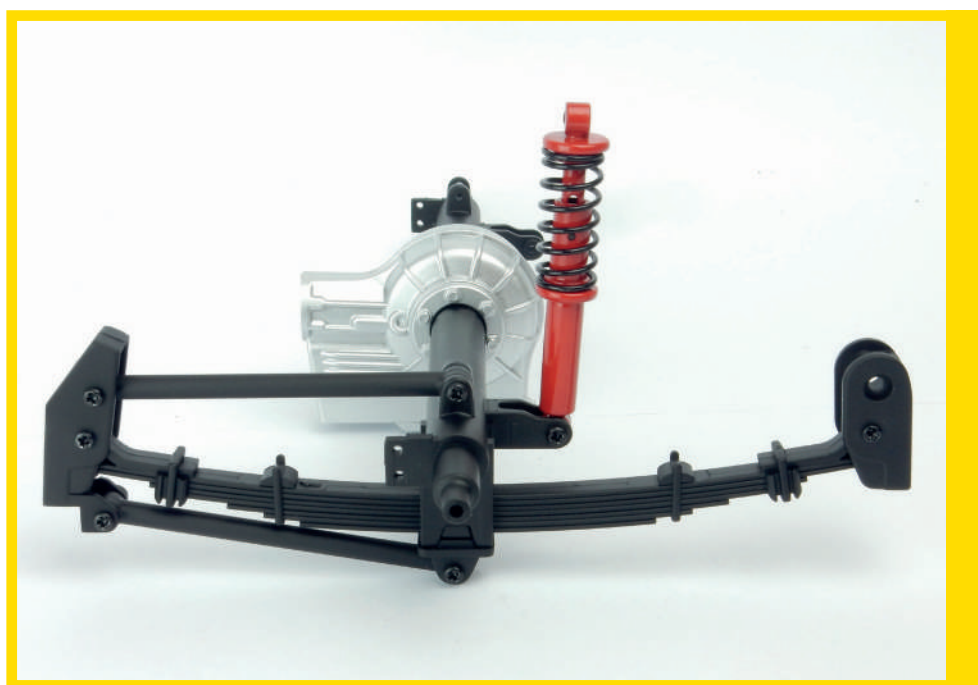
27/04 Secure the other end of the strut to the spring's front bracket using a type H screw.

27/05 Fit the shock absorber to the left half of the axle shaft, orientating the pieces as shown in the photo.



27/06 Secure the pieces together using a type G screw.

Stage 27: The Left Rear Suspension



STAGE 27 IS COMPLETE
Here's how the left rear
suspension assembly
looks at the end of this
assembly stage.

Stage 28: The Right Rear Leaf Spring

In this stage you'll assemble the right rear leaf spring and fit it to the corresponding half of the axle shaft.



STAGE 28 PARTS LIST

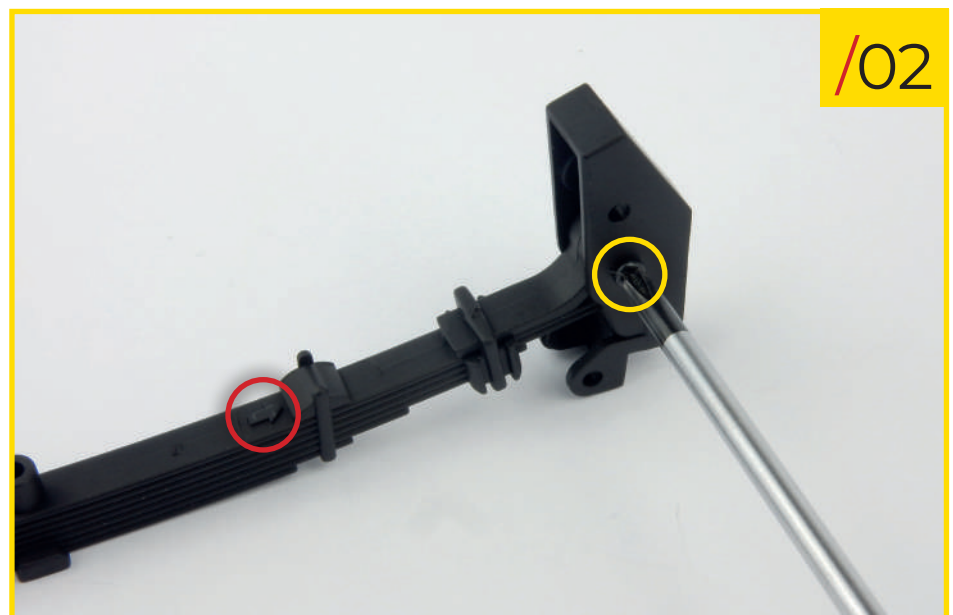
Name	Name
1 Right rear leaf spring	3 type B screws
2 Front bracket	3 type H screws
3 Rear bracket	
4 Central bracket	



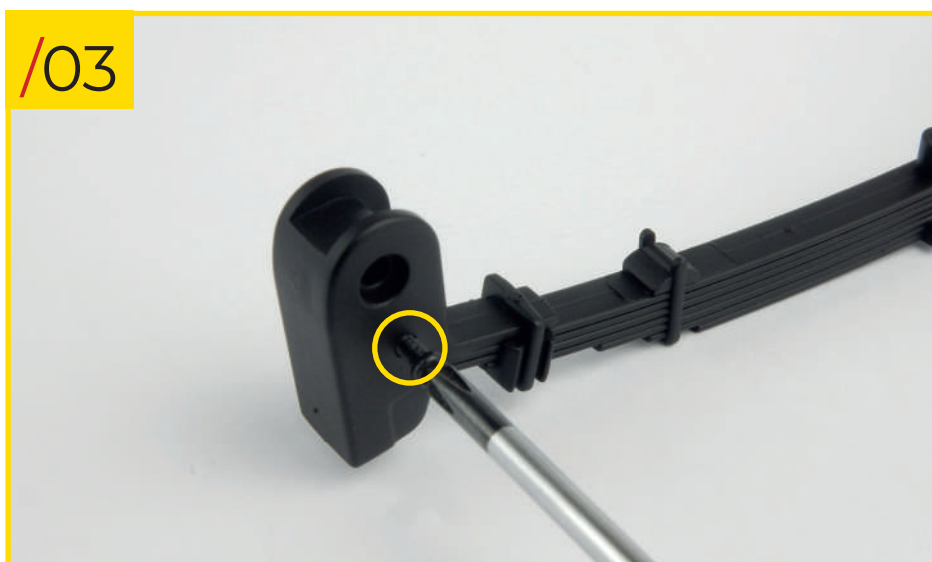
Stage 28: The Right Rear Leaf Spring



28/01 Place the right rear leaf spring on your work surface. You'll see there's an arrow at one end (circled): this arrow will face the front of your model, so use it as a reference to guide you during this session.

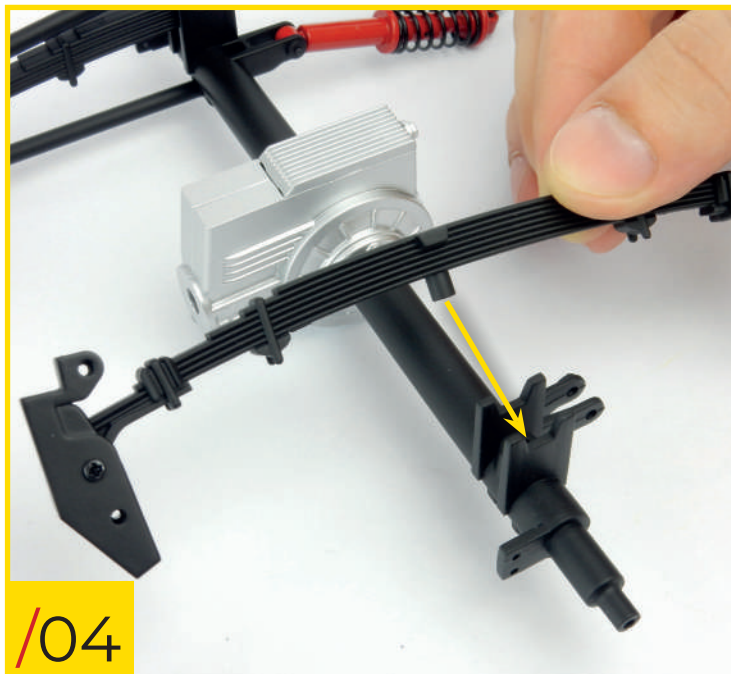


28/02 Fit the front bracket to the front end of the leaf spring. Orientate the pieces as shown and secure them together using a type H screw.



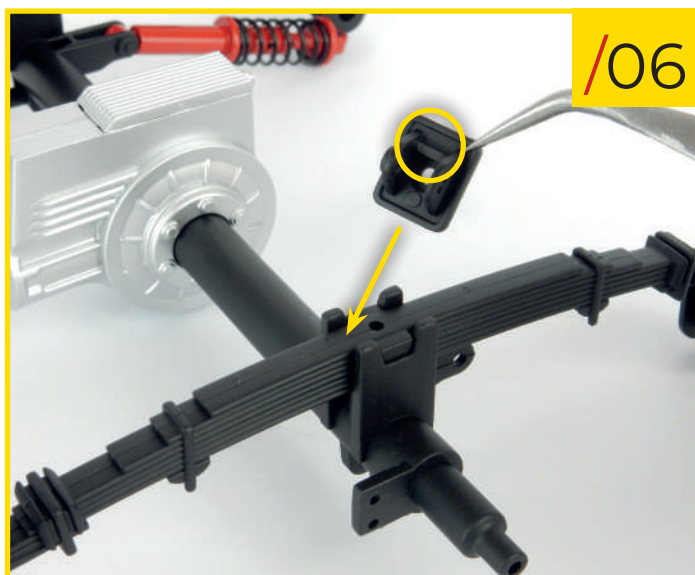
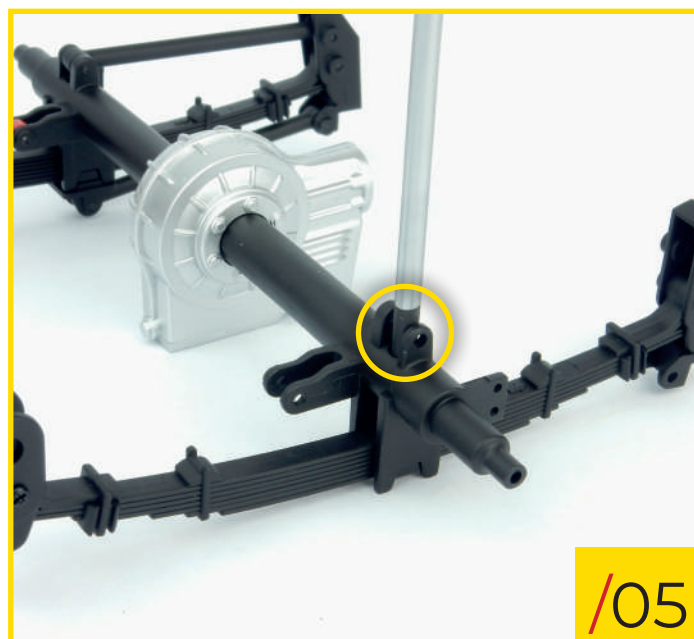
28/03 Add the rear bracket to the other end of the leaf spring. Orientate the pieces as shown in the photo and secure them together using a type H screw.

Stage 28: The Right Rear Leaf Spring



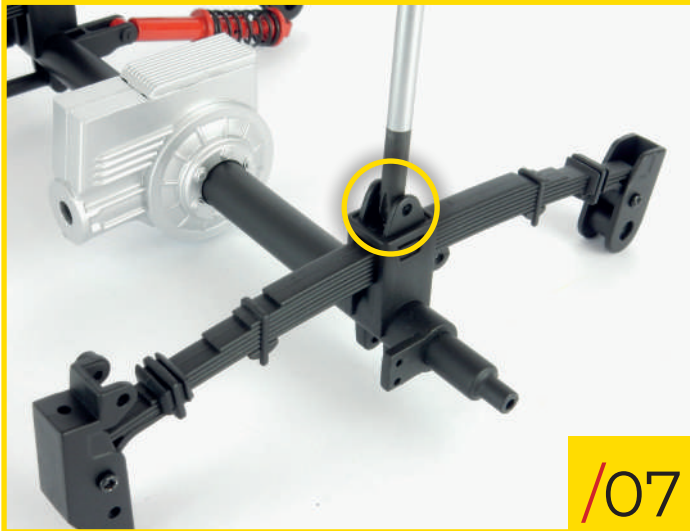
28/04 Retrieve the differential housing assembly and the rear axle shaft you assembled in previous stages. Orientate the pieces as shown and fit the leaf spring onto the right half of the axle shaft.

28/05 Turn the assembly over and secure the pieces together using a type B screw.



28/06 Turn the assembly over again and fit the central bracket into the position indicated in the photo. Ensure that the circled lug is oriented towards the rear end of the leaf spring.

Stage 28: The Right Rear Leaf Spring



28/07 Secure the central bracket to the rest of the assembly using a type B screw.



STAGE 28 IS COMPLETE
Here's how the axle shaft assembly looks after the right rear leaf spring has been fitted.

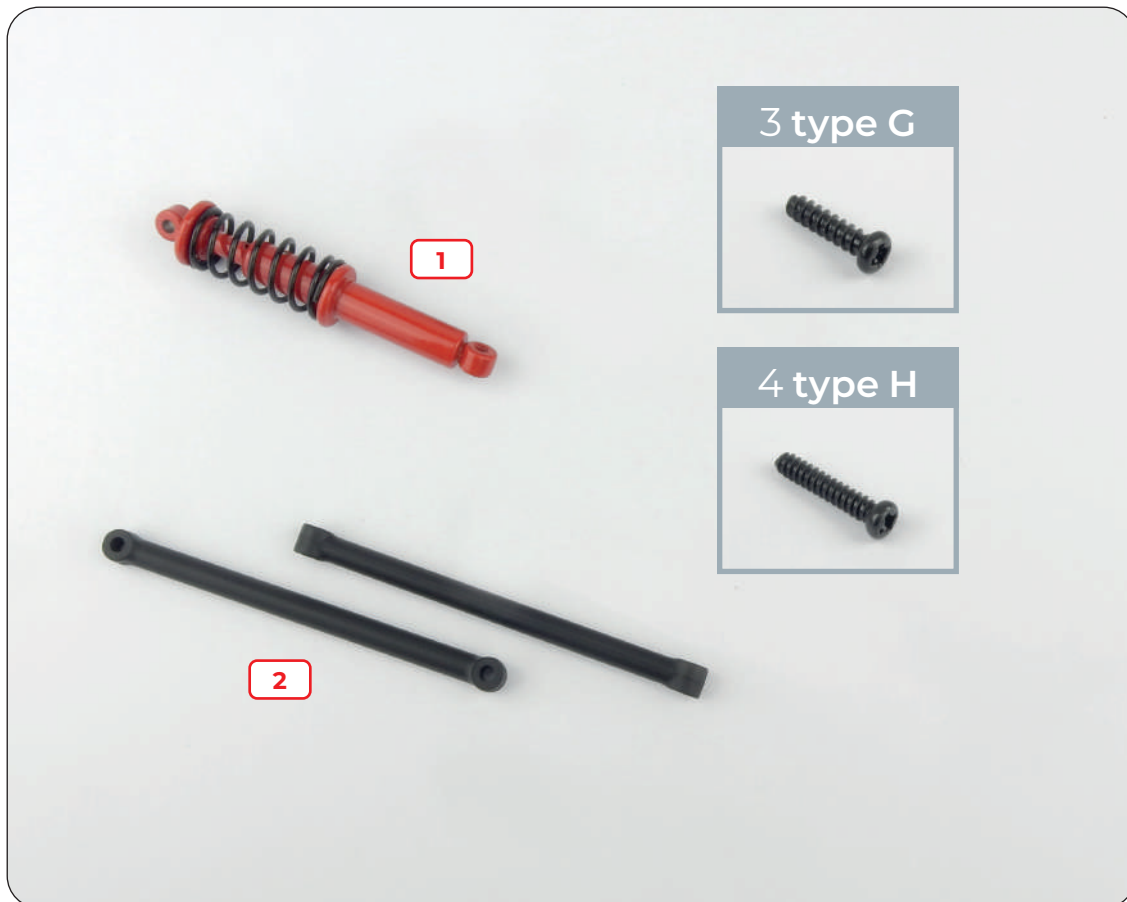
Stage 29: The Right Rear Suspension

In this stage you'll assemble the components for the right rear suspension.



STAGE 29 PARTS LIST

Name	Name
1 Shock absorber	3 type G screws
2 Reaction struts	4 type H screws



Stage 29: The Right Rear Suspension



29/01 Retrieve the rear axle shaft you assembled in the previous sessions. Place one of the reaction struts onto the right rear leaf spring, as shown in the photo.

29/02 Screw two type H screws into the holes indicated to secure the pieces together.



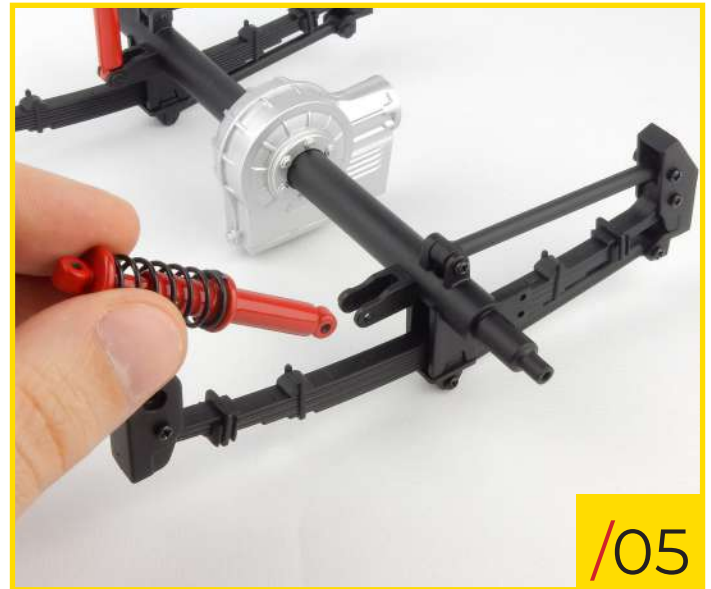
29/03 Position the second strut as shown and secure one end to the spring's central bracket by screwing a type G screw into the hole indicated.

Stage 29: The Right Rear Suspension



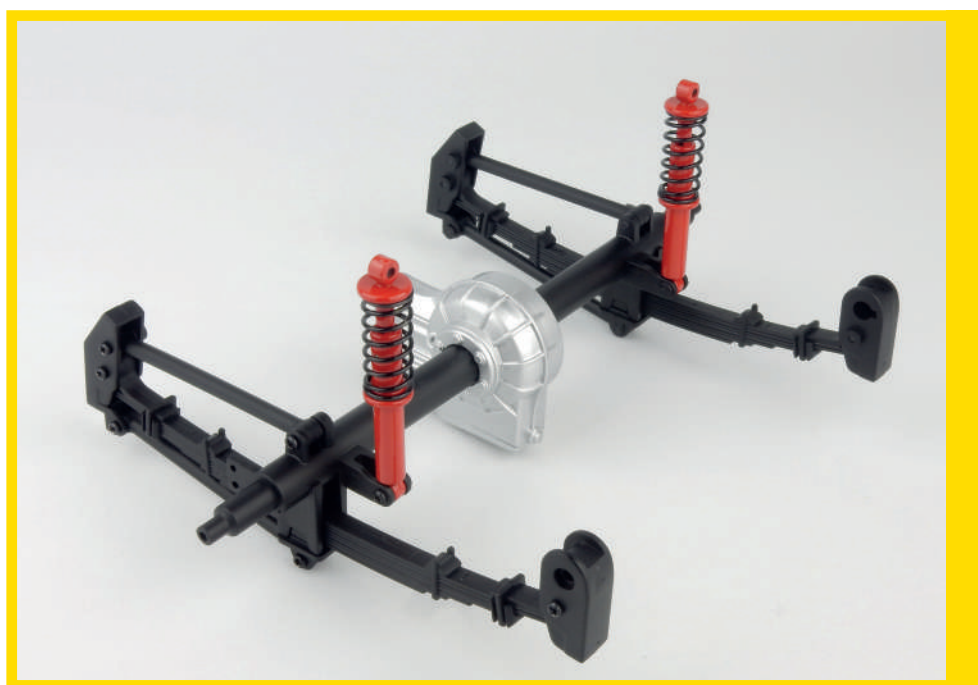
29/04 Secure the other end of the strut to the spring's front bracket using a type H screw.

29/05 Fit the shock absorber to the right half of the axle shaft, orientating the pieces as shown in the photo.



29/06 Secure the pieces together using a type G screw.

Stage 29: The Right Rear Suspension



STAGE 29 IS COMPLETE
Here's how the axle shaft
assembly looks after the
right rear suspension has
been fitted.

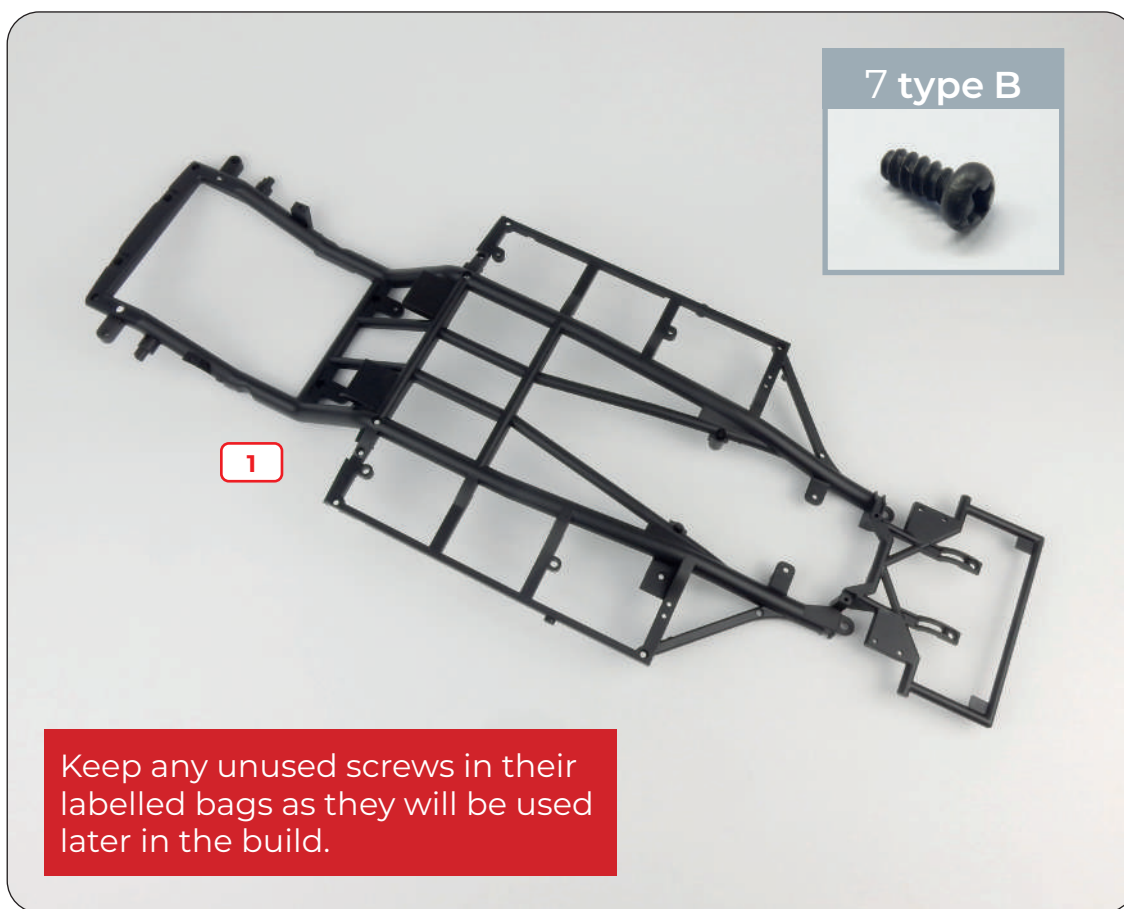
Stage 30: The Chassis

In this stage you'll fit the rear axle shaft assembly to your model's chassis.

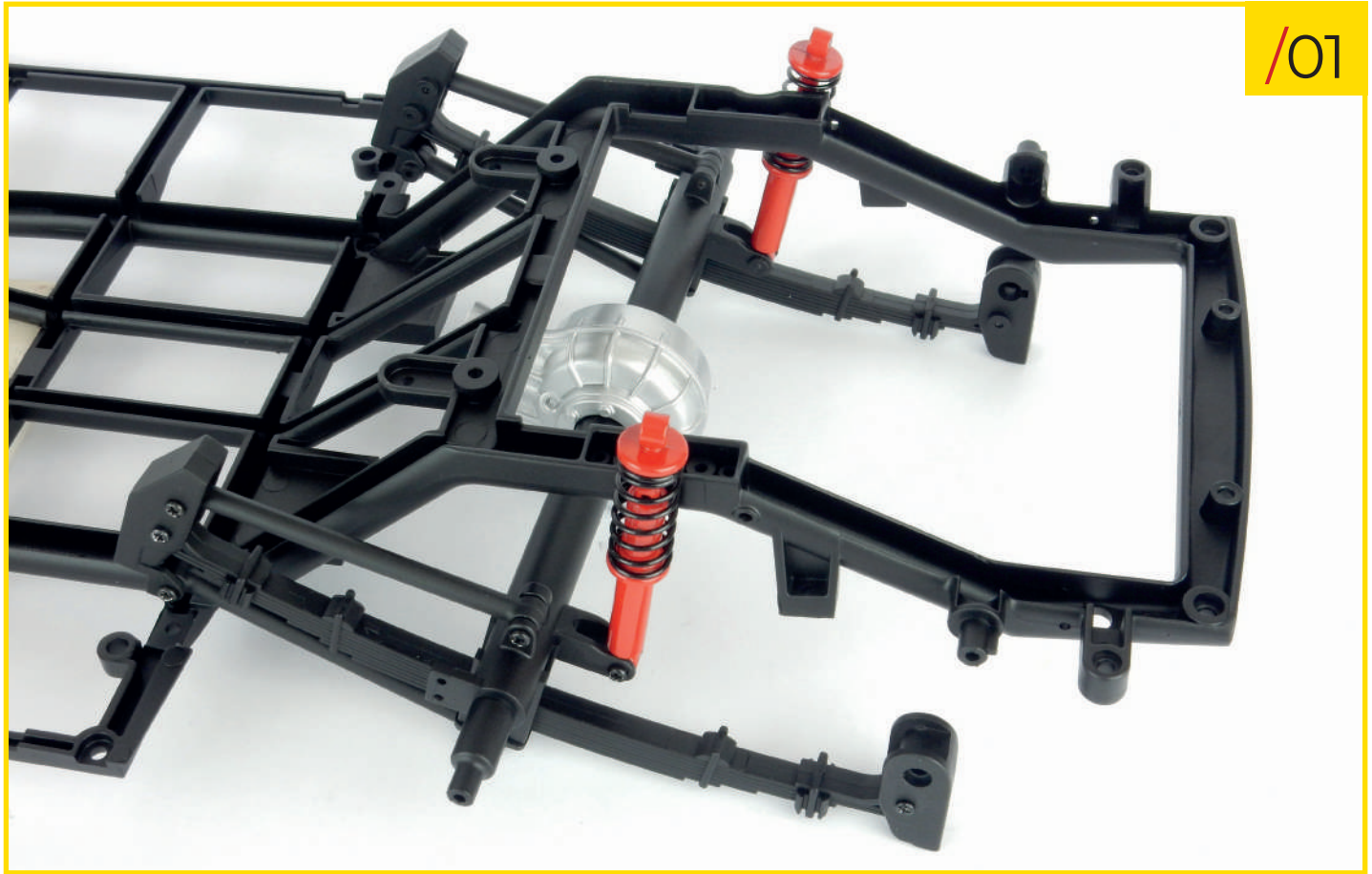


STAGE 30 PARTS LIST

Name	Name
1 Chassis	7 type B screws

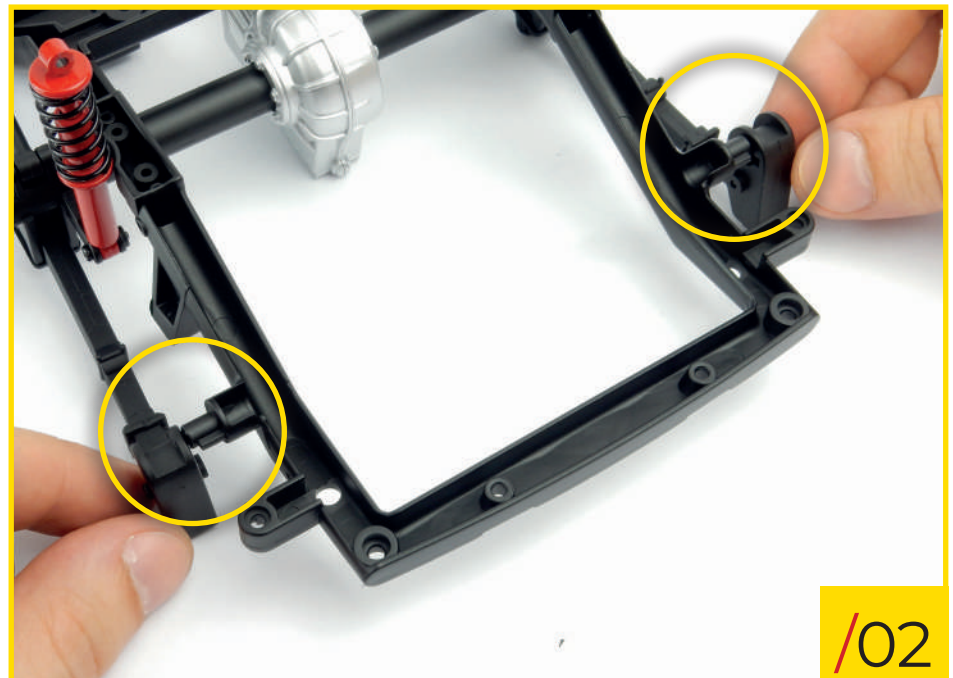


Stage 30: The Chassis

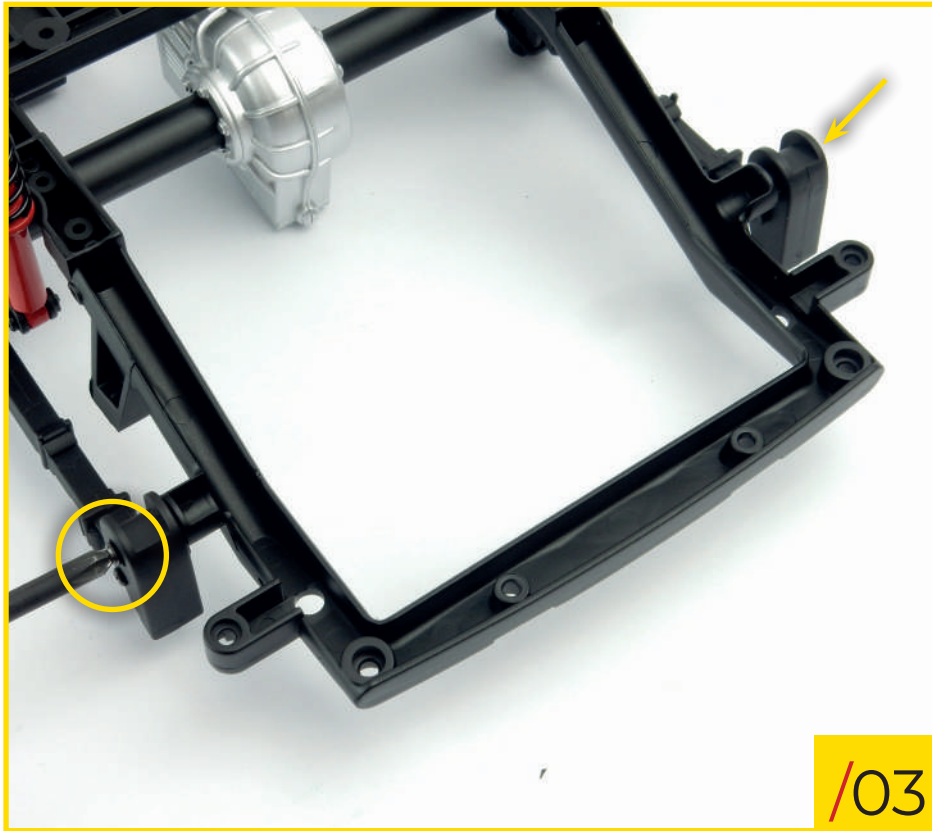


30/01 Retrieve the rear axle shaft assembly from the previous stage and fit it to the chassis, as shown in the photo.

30/02 Connect the holes in the leaf spring's rear brackets to the corresponding studs on the chassis.

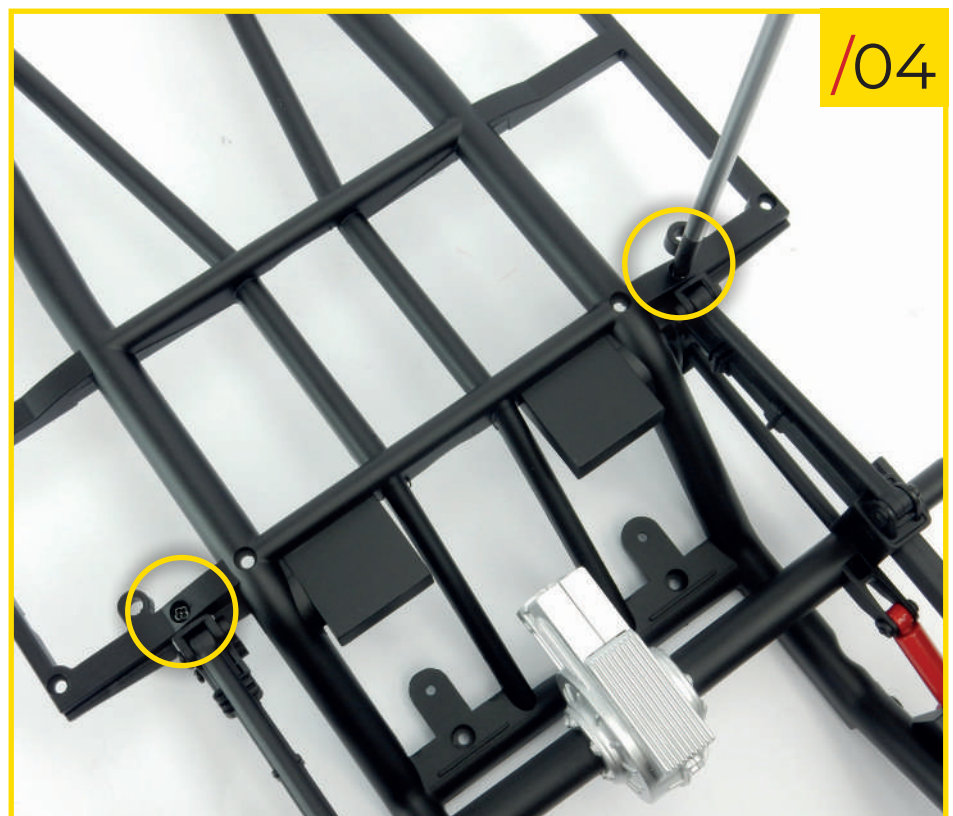


Stage 30: The Chassis



30/03 Secure the rear brackets to the chassis using two type B screws.

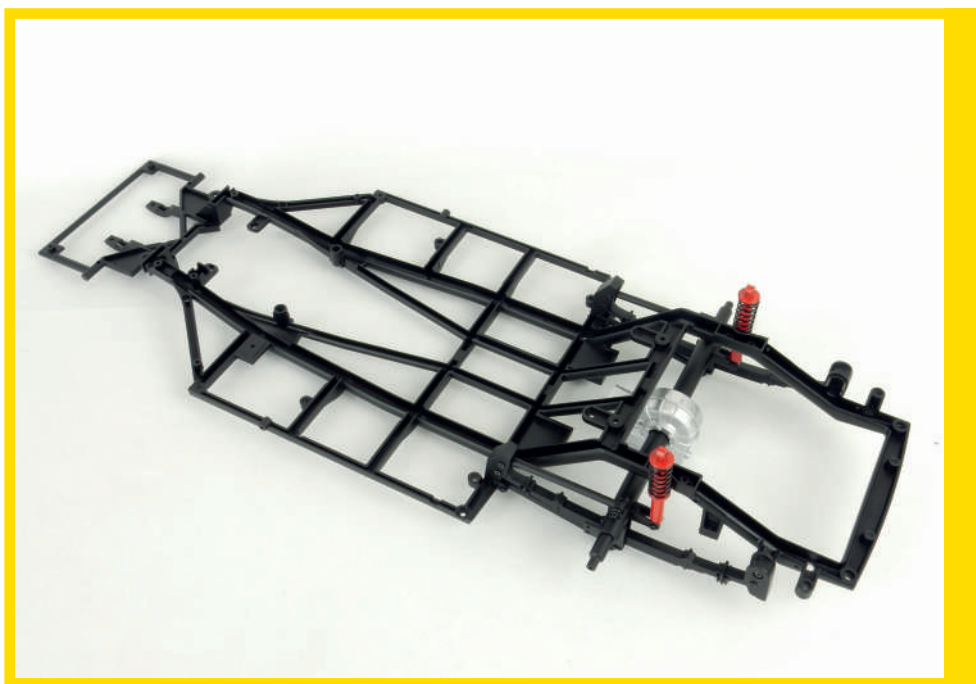
/03



/04

30/04 Turn the assembly over and screw two type B screws into the indicated holes to secure the chassis to the leaf spring's front brackets. Keep any unused type B screws, you will need them later.

Stage 30: The Chassis



STAGE 30 IS COMPLETE
Here's how your model's
chassis looks after the rear
axle shaft assembly has
been fitted, along with the
suspension.