

**THE
SPY WHO
LOVED
ME™**

LOTUS
esprit



Pack 04

BUILD INSTRUCTIONS

**STAGE 026: ASSEMBLING
THE HEADER TANK
AND FITTING THE
CLUTCH LEVER**

**STAGE 027: ATTACHING
THE INNER RIGHT
SIDE MEMBER**

**STAGE 028: ATTACHING
THE LEFT AND RIGHT
SIDE MEMBERS**

**STAGE 029: FITTING THE
RIGHT BRAKE CALIPER**

**STAGE 030: FITTING THE
LEFT BRAKE CALIPER
AND ATTACHING THE
CROSS MEMBER**

**STAGE 031: FITTING CARPET
TO THE REAR FLOOR**

**STAGE 032: THREADING
WIRES THROUGH THE
TRANSMISSION TUNNEL**

**STAGE 033: FITTING THE
RIGHT AND LEFT
FLOOR PANELS**

**STAGE 034: FITTING THE
REAR FLOOR PANEL**

THE SPY WHO LOVED ME © Danjaq, LLC and Metro-Goldwyn-Mayer Studios Inc. THE SPY WHO LOVED ME, **007™** and related James Bond Indicia © 1962-2024 Danjaq, LLC and Metro-Goldwyn-Mayer Studios Inc. THE SPY WHO LOVED ME, **007™** and related James Bond Trademarks are trademarks of Danjaq, LLC. All Rights Reserved.
Produced under licence from Group Lotus LTD. LOTUS, the Lotus Roundel, car names and all associated logos and distinctive designs are trade marks of Group Lotus LTD.

Advice from the experts

Spare screws are included with each part. Occasionally, you may be instructed to keep spare or unused screws for a later stage. Keep these spares in a safe place and label them correctly.

Please make sure you don't mix up the screws. They look quite similar, but the threads do vary slightly. Using the wrong screws may damage the parts.

When securing parts together using multiple screws, fit each screw loosely to ensure all the parts are correctly aligned before gently tightening them firmly, but not overtight, in the order in which you placed them.

The screwdriver can be magnetized by stroking it with a magnet (fridge magnet, etc.) enabling it to hold the screws and make assembly easier.

If a screw is tight going into a metal part, do not force it as you may shear the head off. Remove it and put a tiny smear of Vaseline, soap or light oil on the thread. That will lubricate it and make it easier to drive home.

During the course of this build, you will receive many pieces that you will assemble immediately – following the instructions in the corresponding stage – and other pieces that you should store safely to one side, for use in future assembly stages.

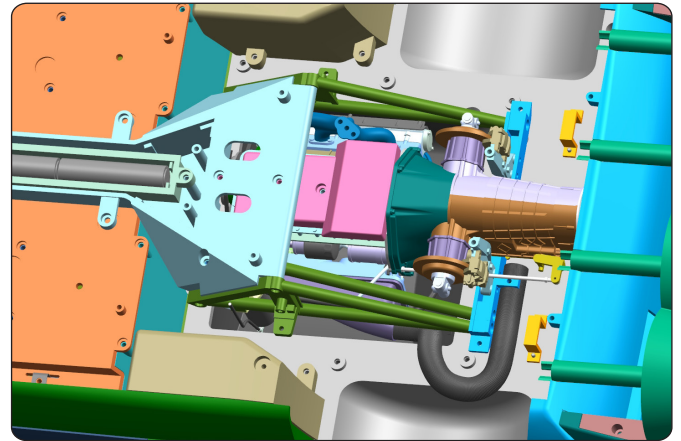
Left and Right! When building your *The Spy Who Loved Me* Lotus Esprit, the left- or right-hand side refers to that side as if you are sitting in the car.



WARNING: Some parts are assembled using magnets. These magnets can cause serious injury if they are swallowed. Keep away from children. If you suspect a magnet has been swallowed, seek medical help straight away.

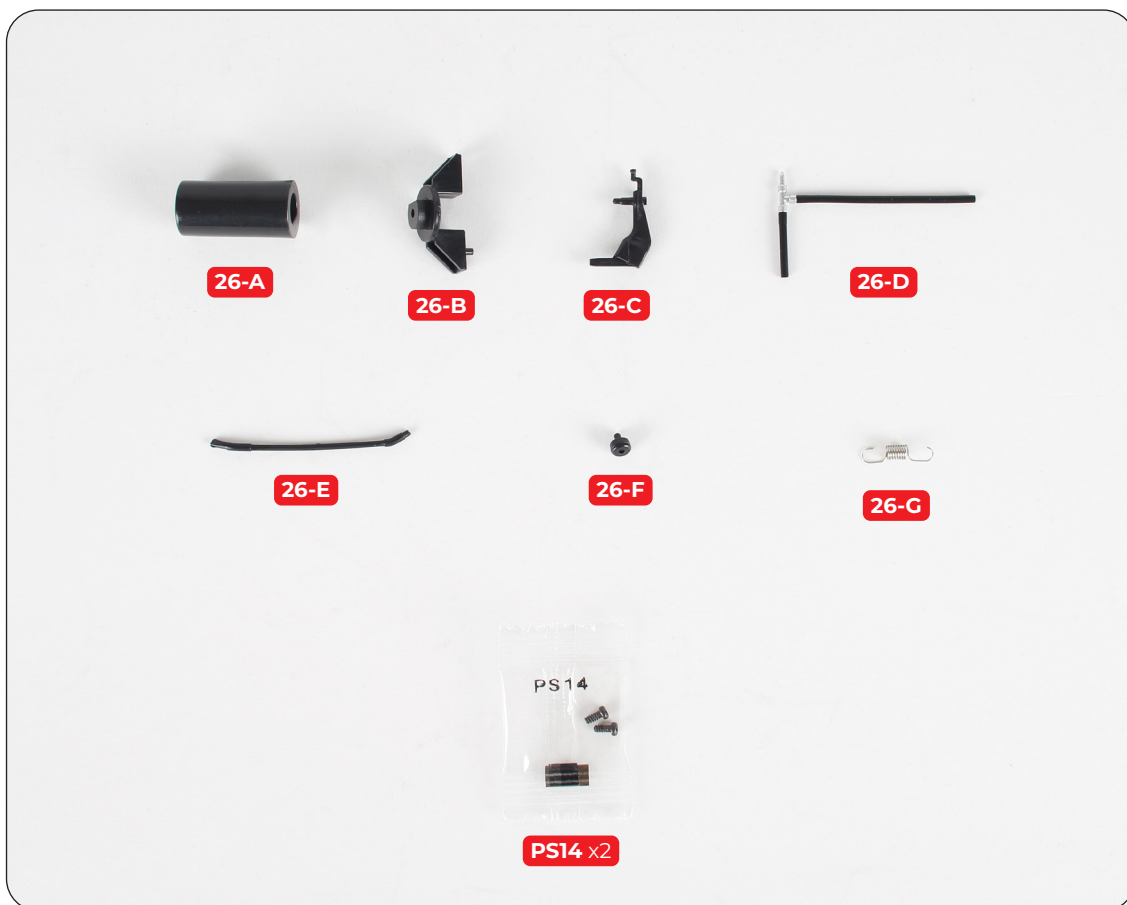
Stage 026: Assembling the Header Tank and Fitting the Clutch Lever

In this stage you'll fit the clutch lever then assemble the header tank.

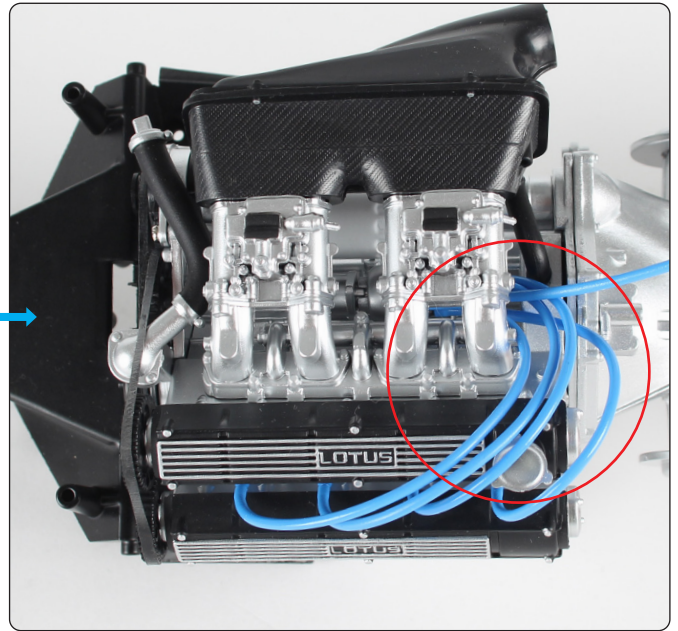
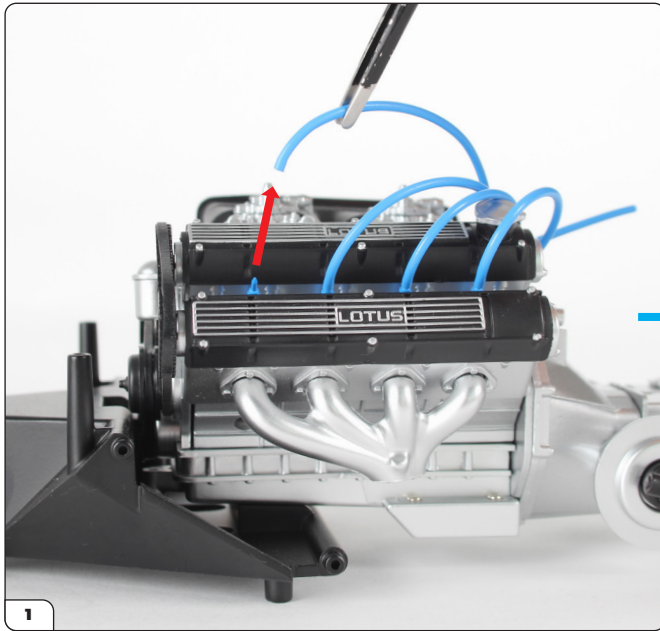


STAGE 026 PARTS LIST

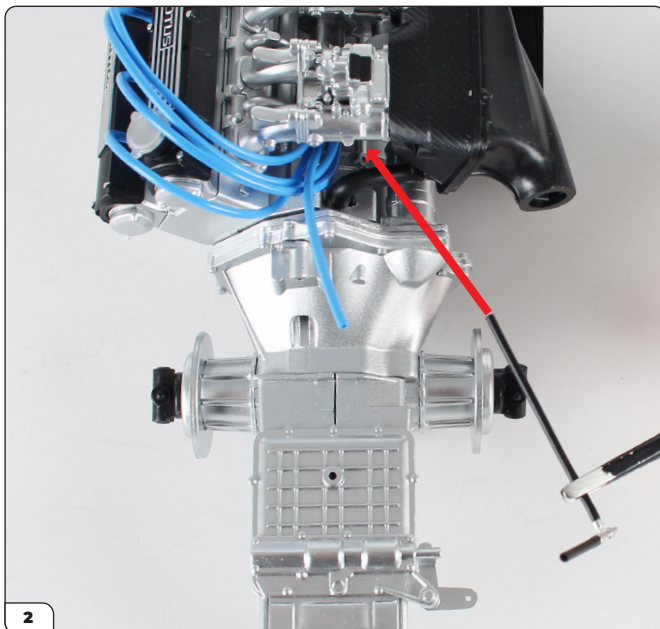
Name	Name
26-A Header tank	26-E Breather pipe
26-B Header tank bracket	26-F Clutch cylinder dust cover
26-C Clutch lever	26-G Spring
26-D L-shaped hose	PS14 screws x2



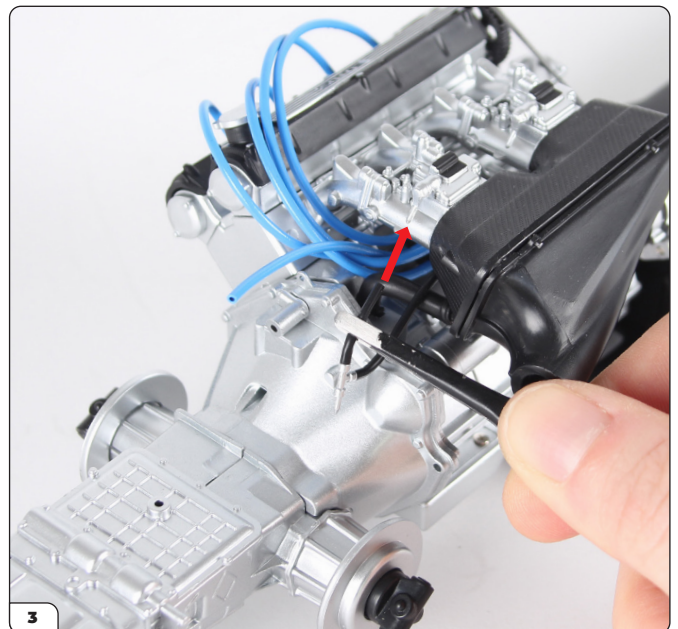
Stage 026: Assembling the Header Tank and Fitting the Clutch Lever



This step is not essential, but may help with fitting some of the pipes in the next steps. Take the chassis assembly. One by one, detach the spark plug cables and untangle them, before fitting them back onto the same plug.

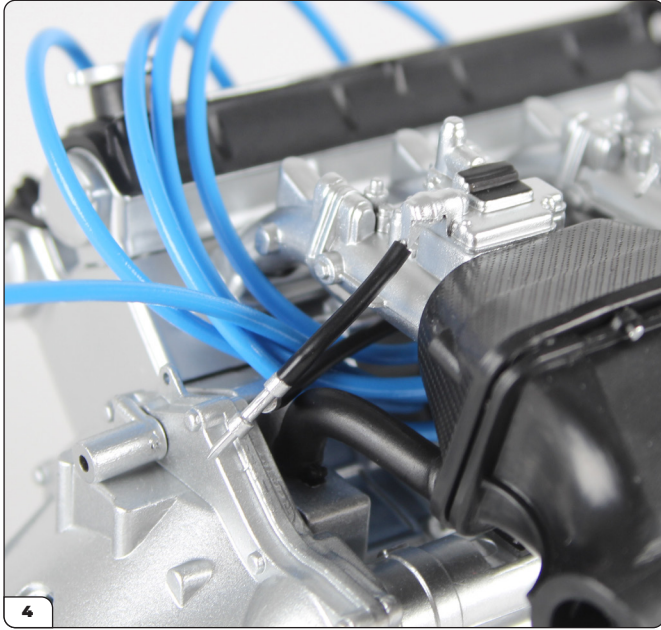


Place the long end of the L-shaped pipe (26-D) underneath the carburettors.

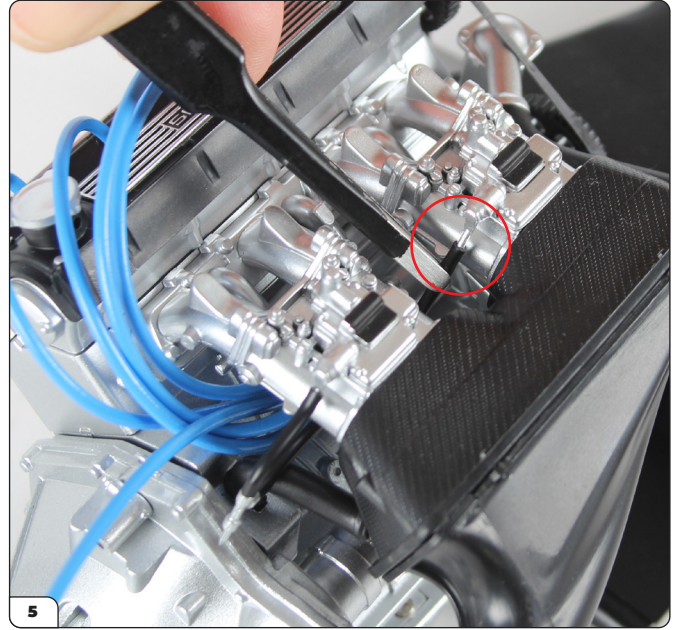


Fit the short end of the L-shaped pipe onto the rear carburettor pin.

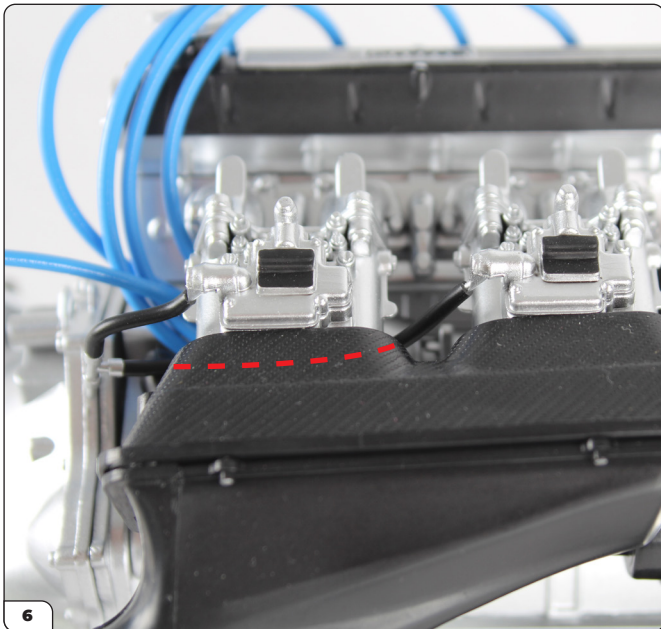
Stage 026: Assembling the Header Tank and Fitting the Clutch Lever



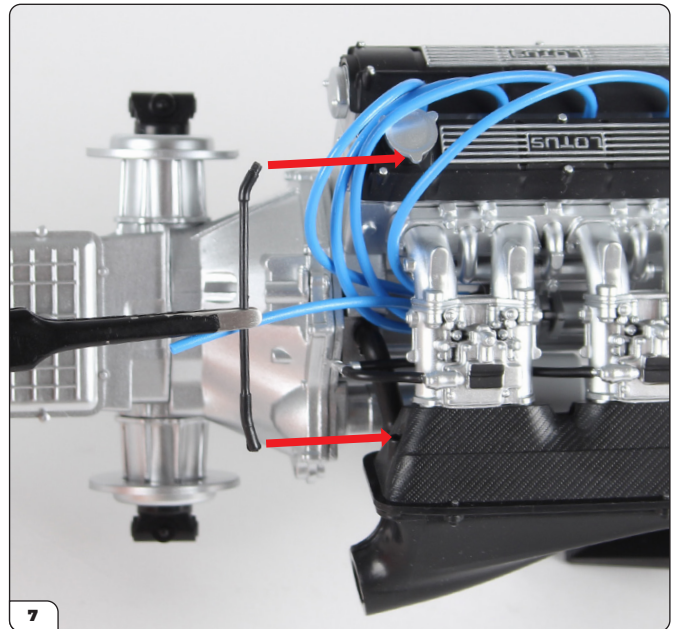
This image shows the short end fitted in place.



Using tweezers, fit the long end of the L-shaped pipe onto the other carburettor in the same way.

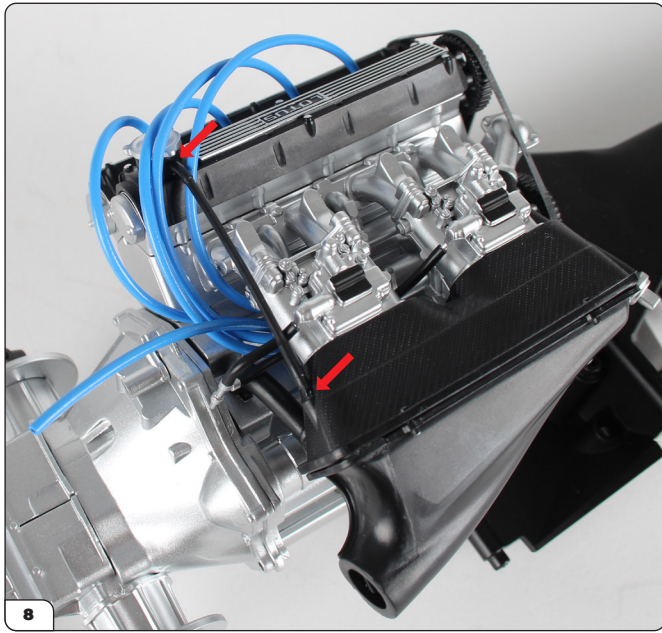


This image shows the pipe fitted in place. The longer end runs underneath the carburettor as shown by the dashed line.

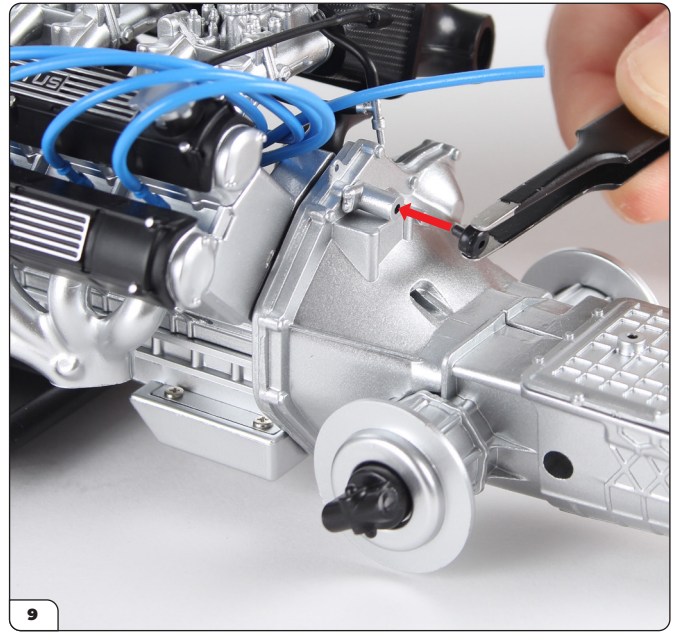


Align the breather pipe (26-E) with the air box and the cam cover (with the oil cap) as shown. One end of the breather pipe has a D-shaped pin which fits into the air box.

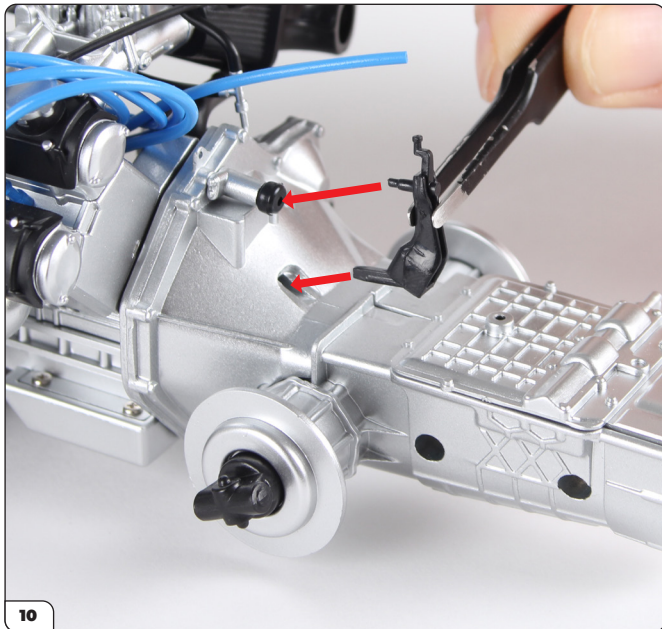
Stage 026: Assembling the Header Tank and Fitting the Clutch Lever



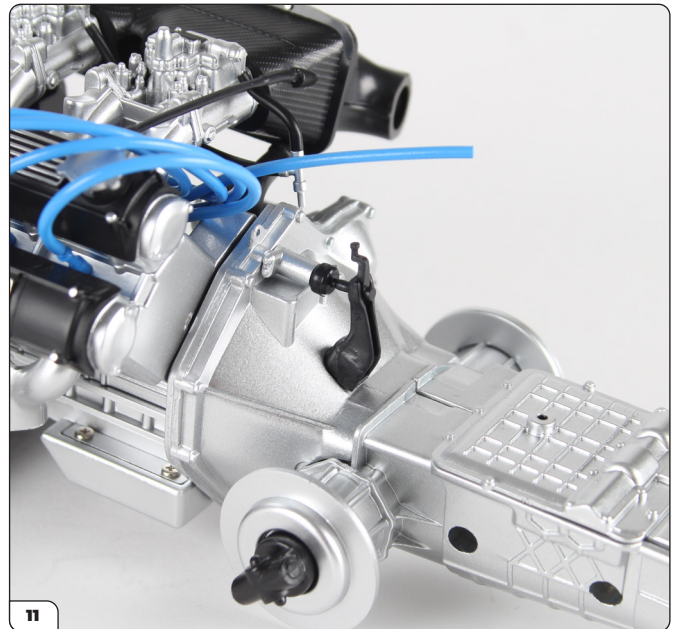
Push the breather pipe in place. Take care as the pipe is fragile.



Push the clutch cylinder dust cover (26-F) into the clutch cylinder.

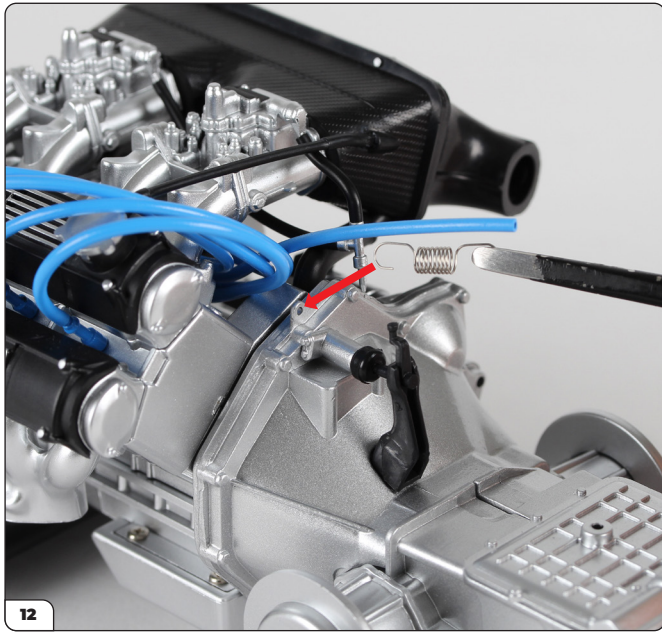


Align the clutch lever (26-C) with the dust cover and the opening in the bell housing.

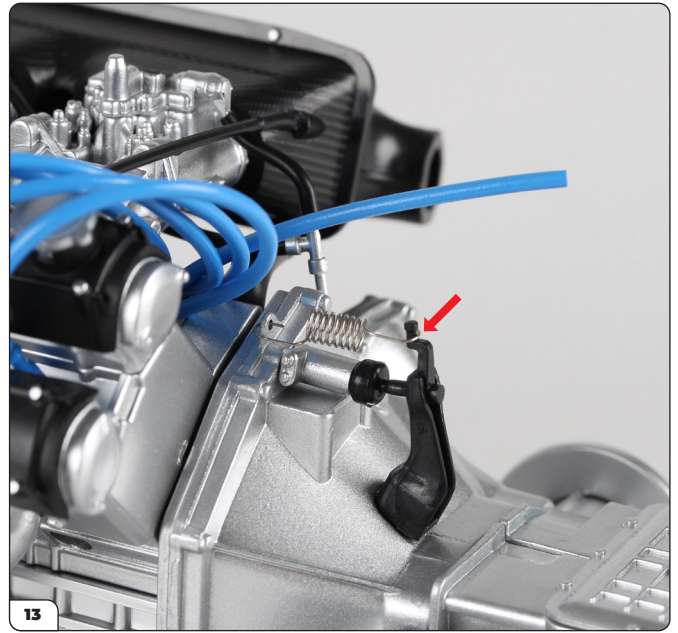


Press the clutch lever in place.

Stage 026: Assembling the Header Tank and Fitting the Clutch Lever



Take the spring (26-G) and hook one end through the small hole on the bell housing.



Hook the other end around the clutch lever.



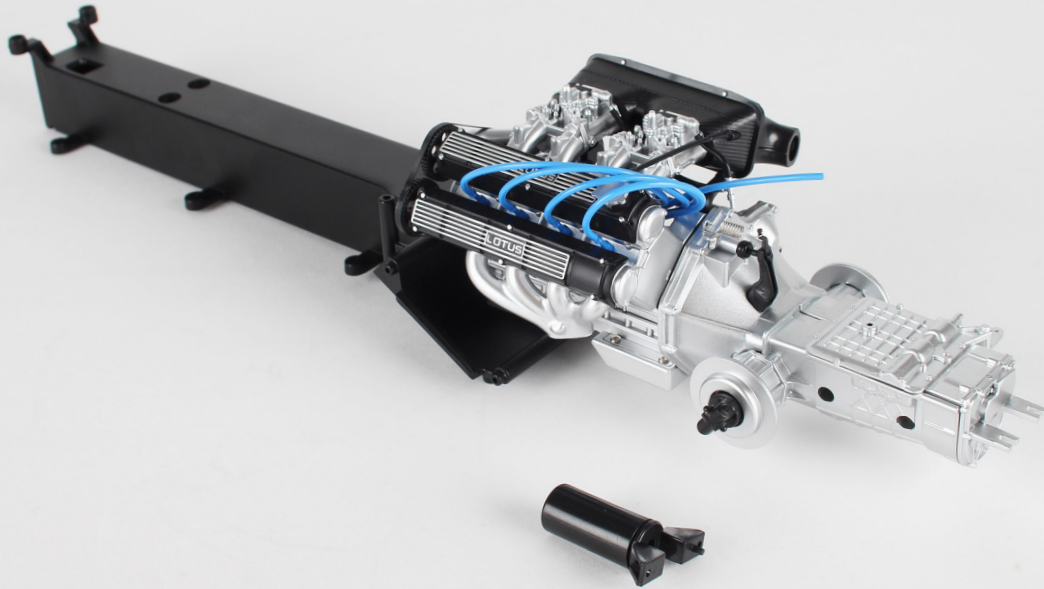
Fit the bracket (26-B) on the header tank (26-A).



Secure with a PS14 screw.

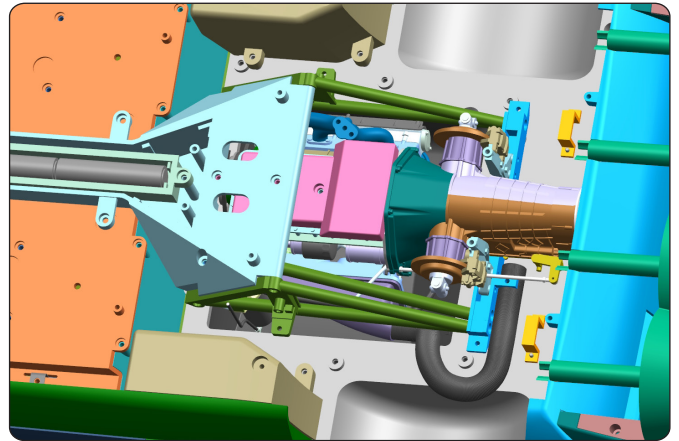
Stage 026: Assembling the Header Tank and Fitting the Clutch Lever

STAGE COMPLETE



Stage 027: Attaching the Inner Right Side Member

Next you'll place the inner right side member on your assembly and continue to connect a water pipe and cooling hoses.

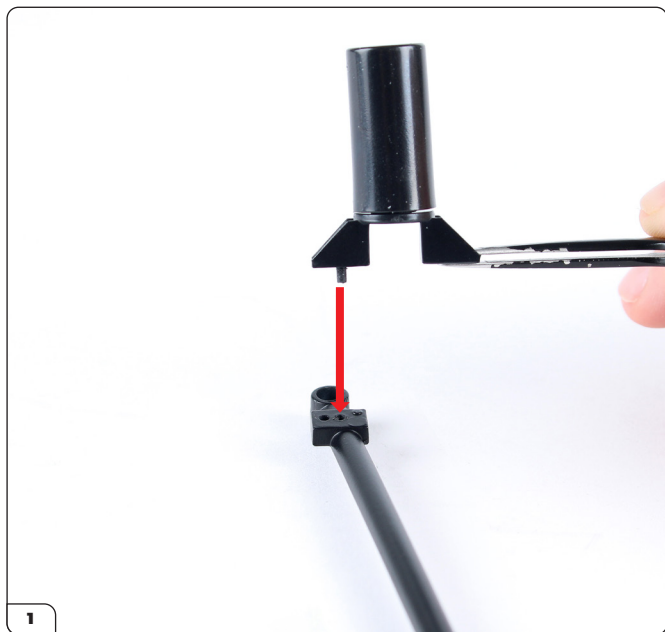


STAGE 027 PARTS LIST

Name
27-A Inner right side member
27-B Water pipe
27-C Small cooling hose
27-D Large cooling hose
DS02 screws x2
DS06 screws x2
PS14 screws x2



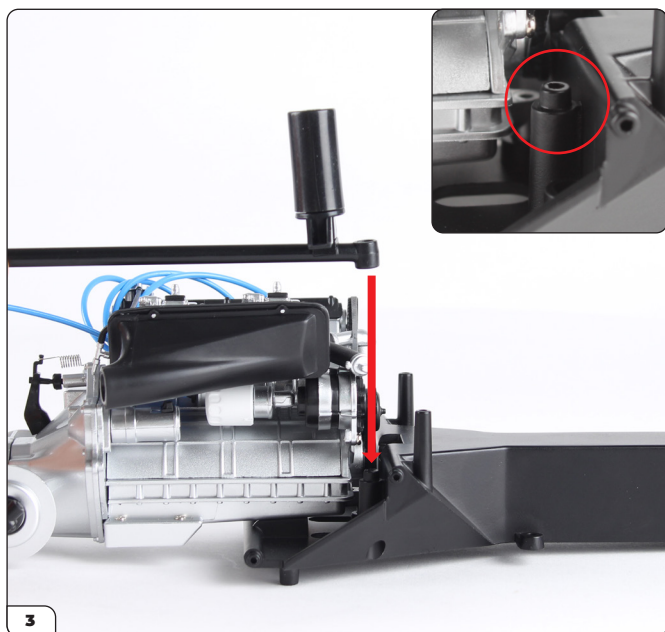
Stage 027: Attaching the Inner Right Side Member



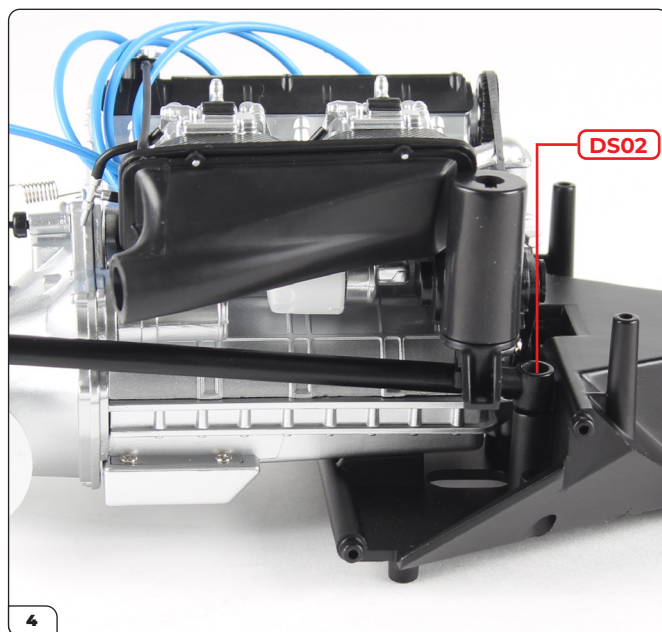
Retrieve the header tank (stage 026) and push it onto the inner right side member (27-A).



Secure with a DS06 screw.

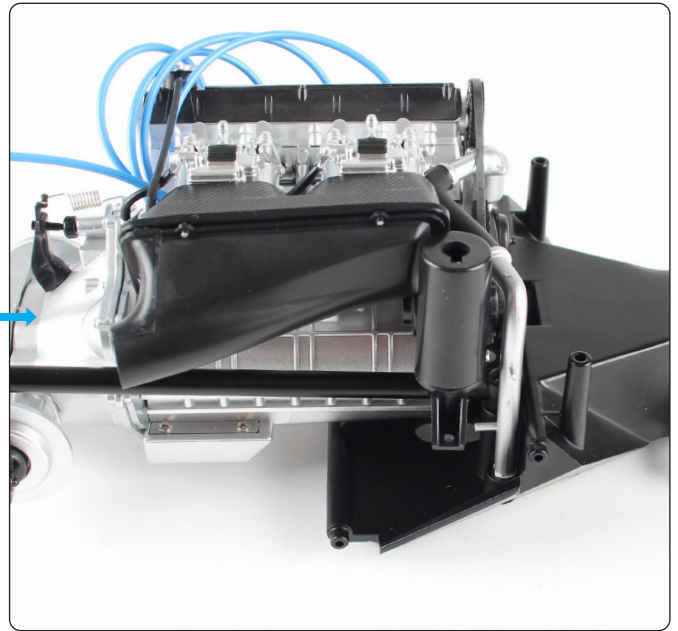
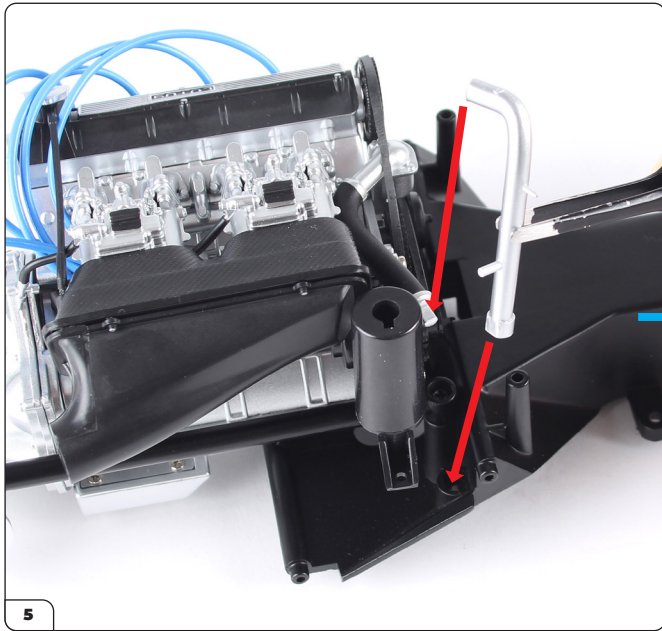


Align the side member with the screw post (inset) on the chassis.

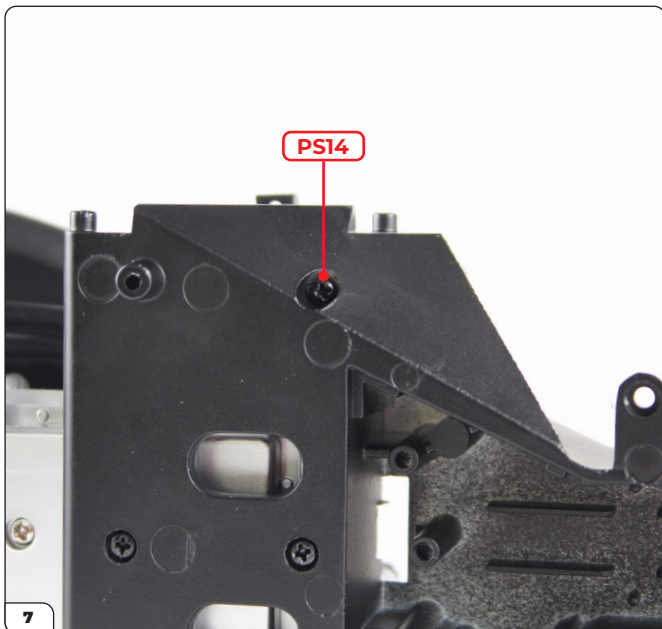


Fit in place then secure with a DS02 screw.

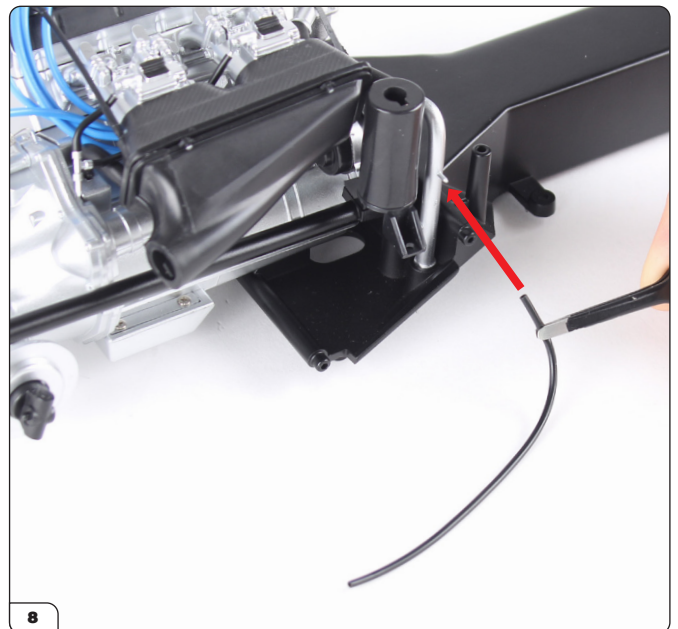
Stage 027: Attaching the Inner Right Side Member



Place the long end of the water pipe (27-B) on the chassis and place the short end on the black and silver pipe.

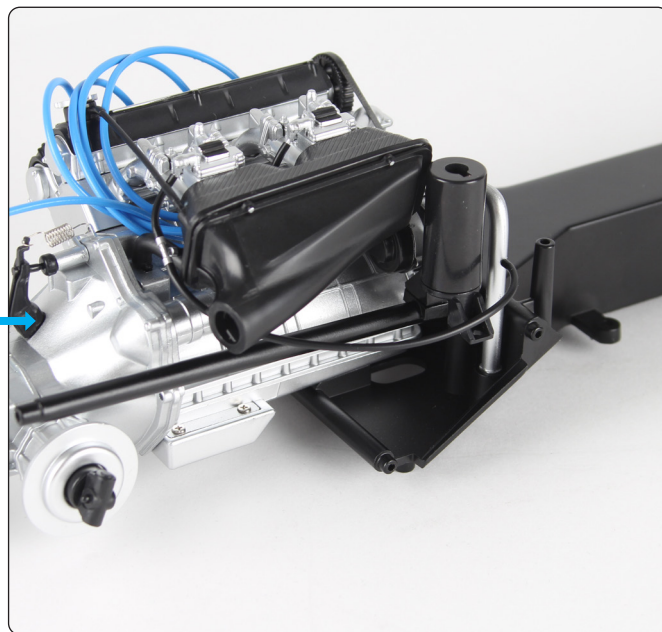
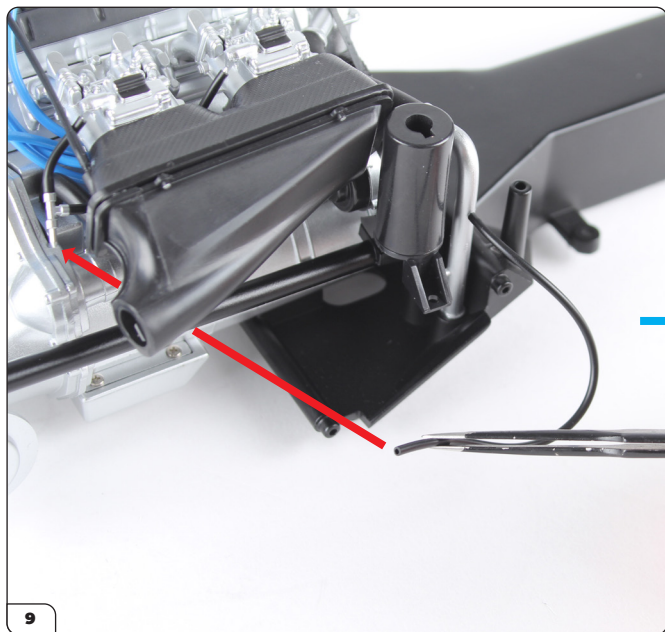


Secure from underneath with a PS14 screw.

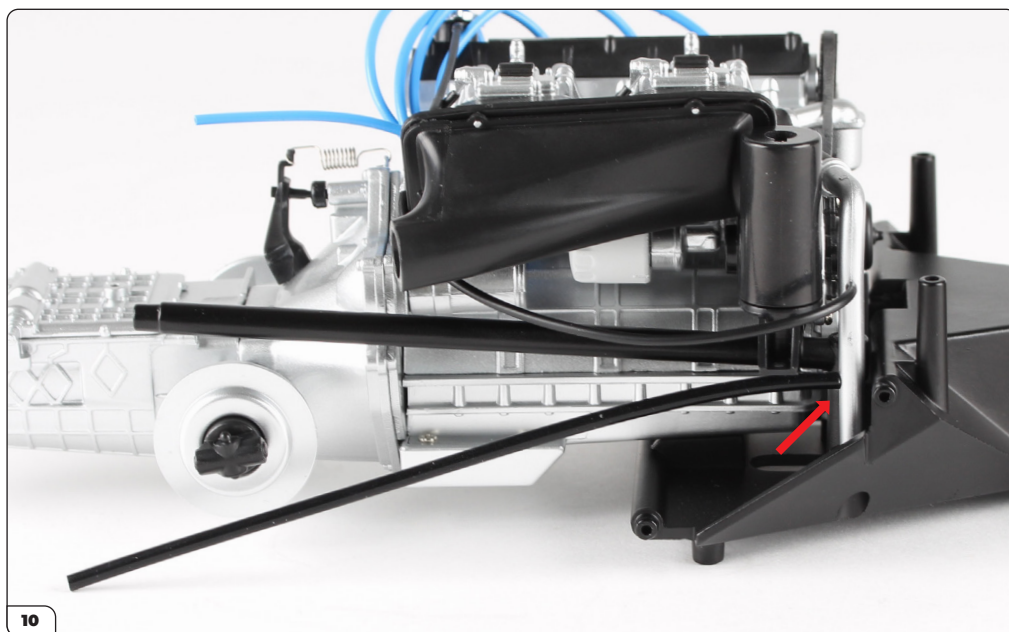


Push one end of the small cooling hose (27-C) onto the water pipe.

Stage 027: Attaching the Inner Right Side Member

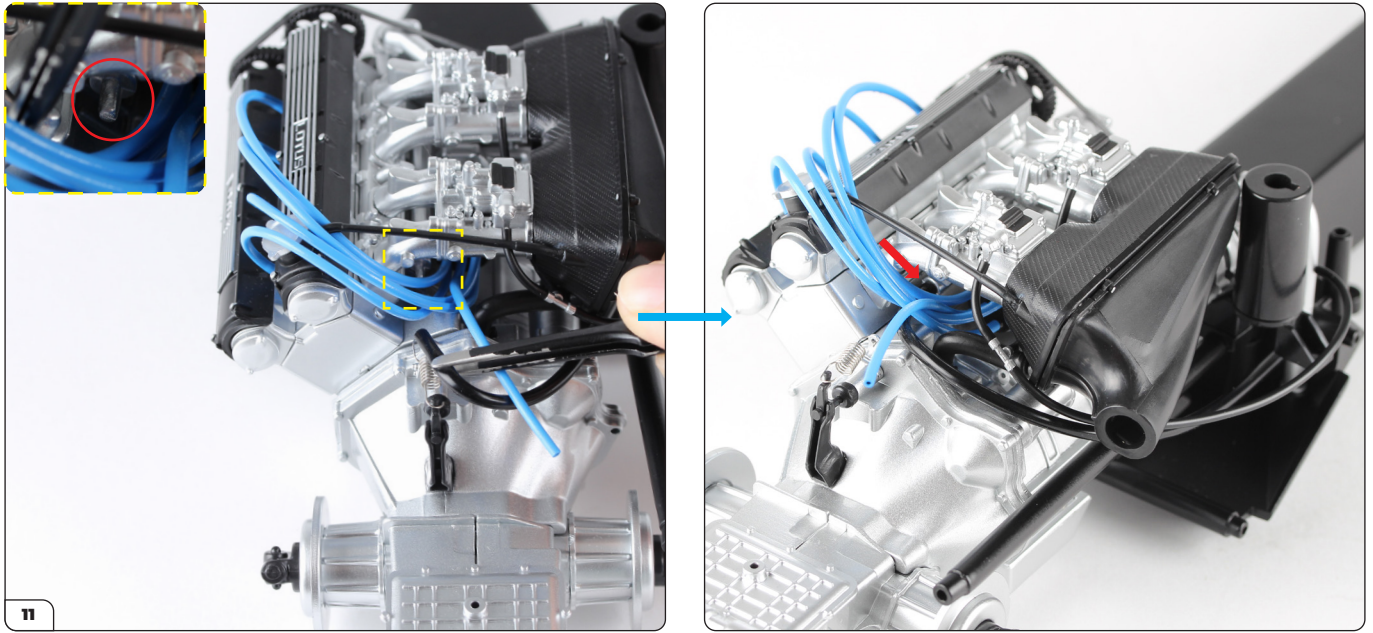


Push the other end onto the L-shaped hose.



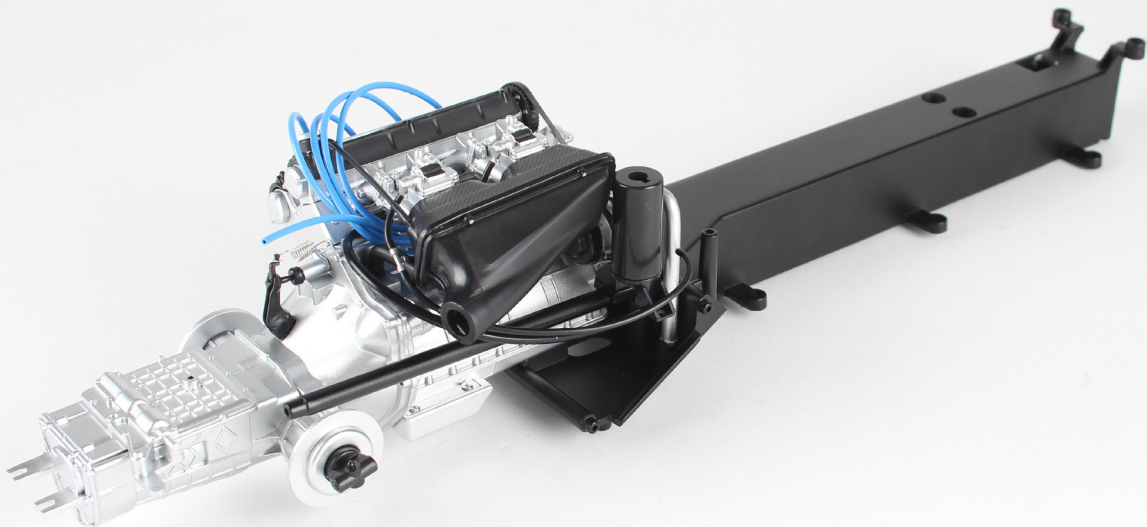
Push the large cooling hose (27-D) onto the water pipe.

Stage 027: Attaching the Inner Right Side Member



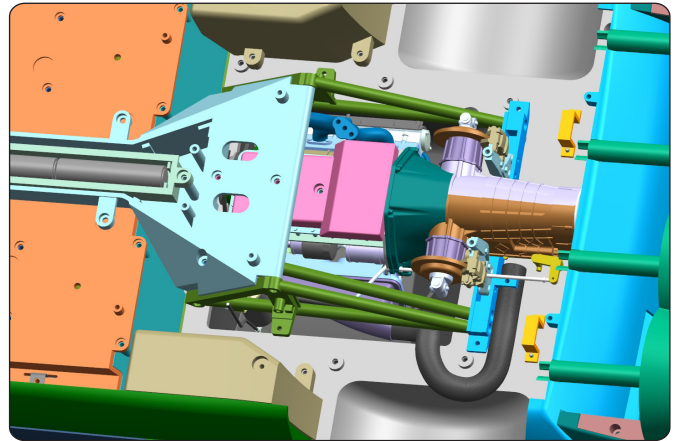
Locate the pin on the inlet manifold assembly (inset) and push the other end of the large cooling pipe onto it.

STAGE COMPLETE



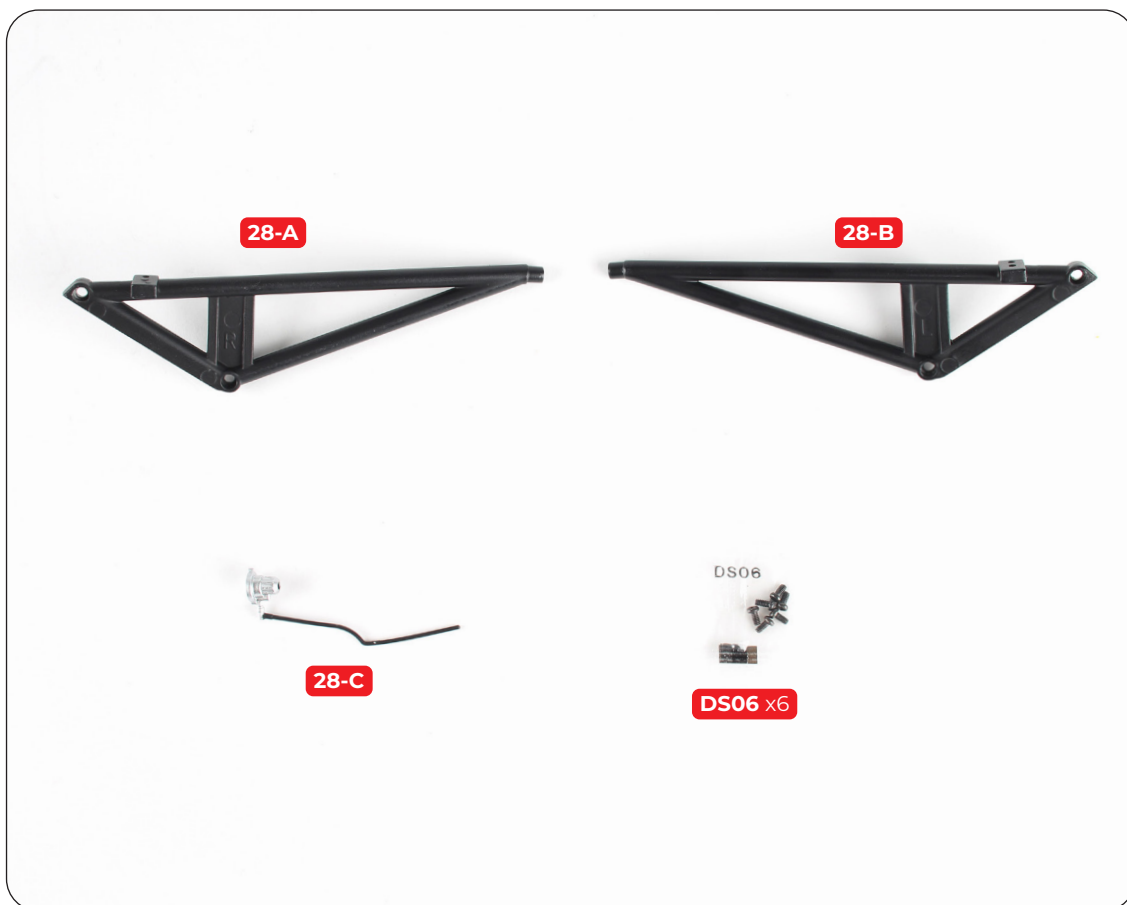
Stage 028: Attaching the Left and Right Side Members

In this stage you'll place the side members and header tank pressure cap onto the assembly.

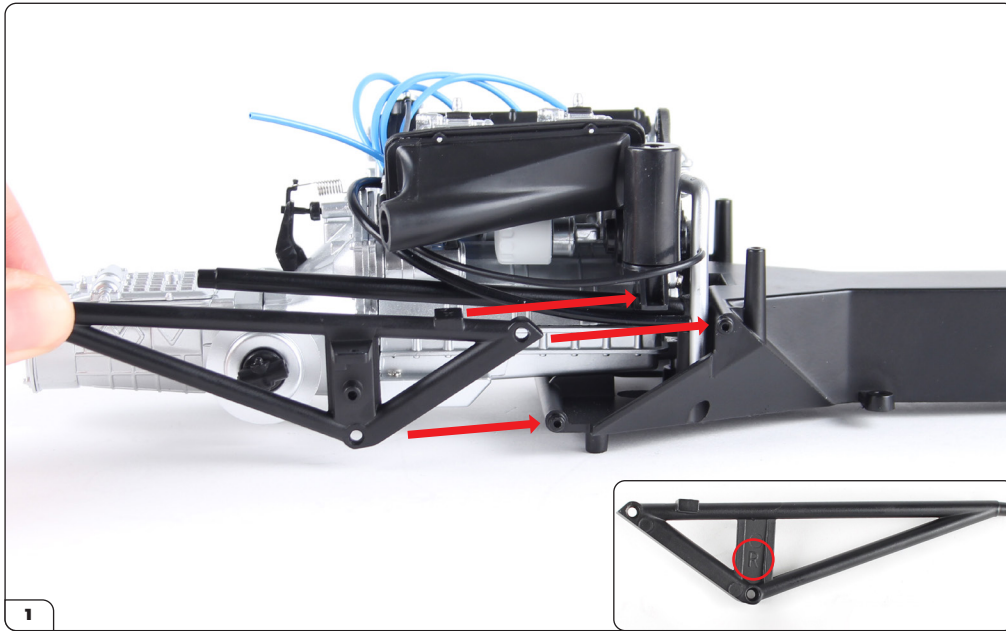


STAGE 028 PARTS LIST

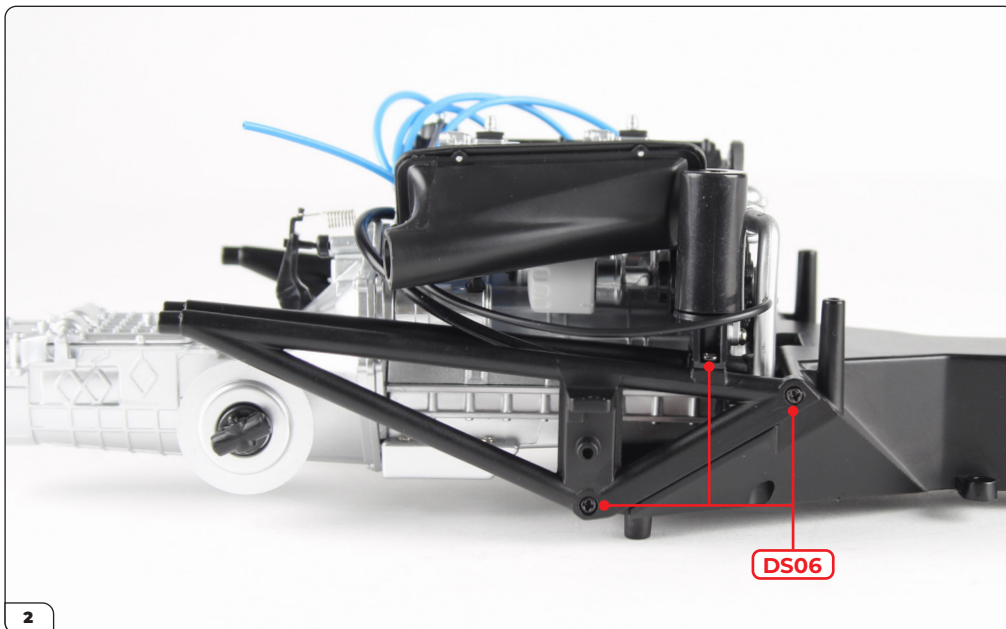
Name
28-A Right side member
28-B Left side member
28-C Pressure cap
DS06 screws x6



Stage 028: Attaching the Left and Right Side Members

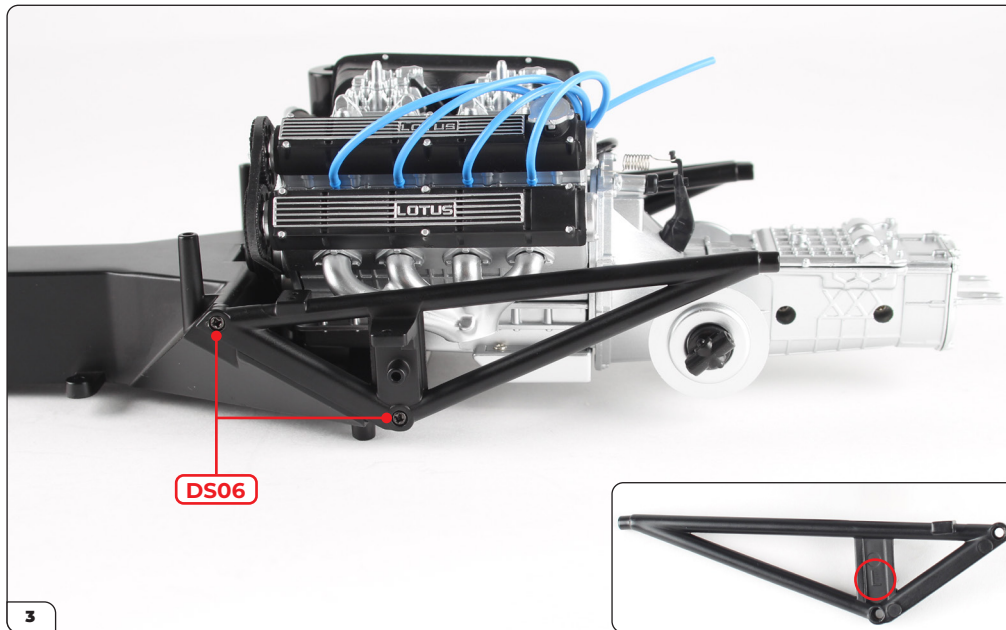


Take the right side member (28-A), marked "R" (circled), and align it with the chassis.

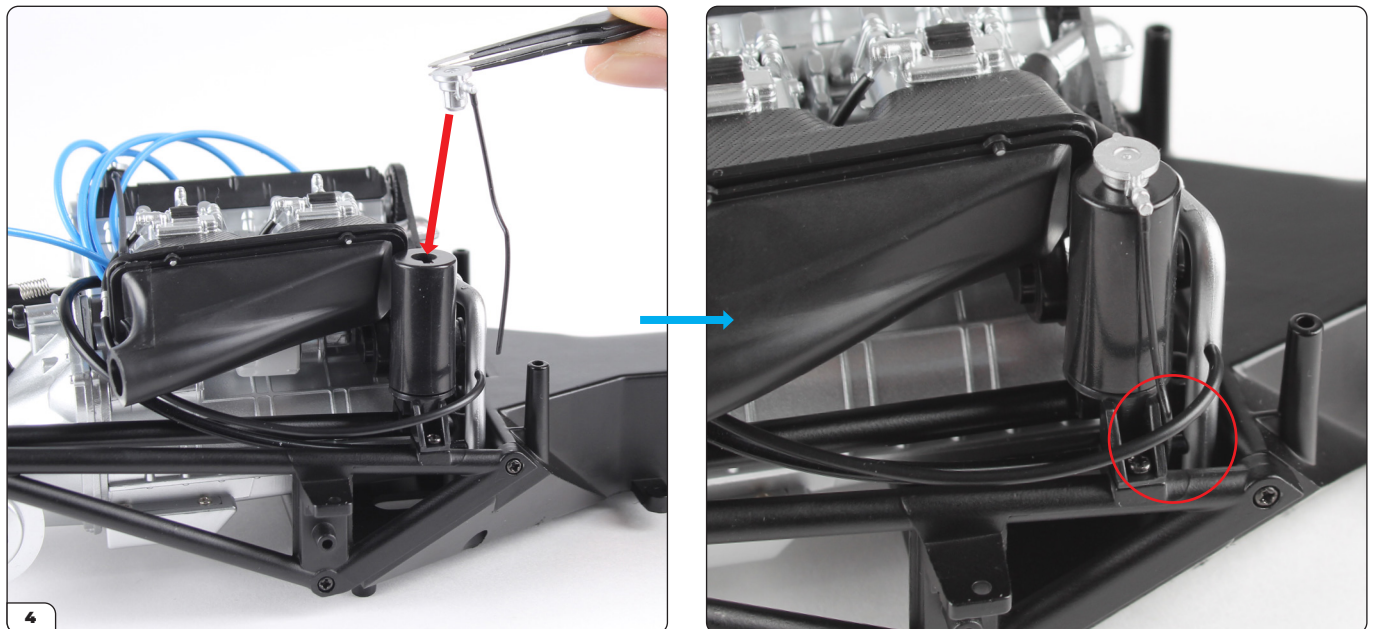


Place into position as shown and secure with 3x DS06 screws.

Stage 028: Attaching the Left and Right Side Members



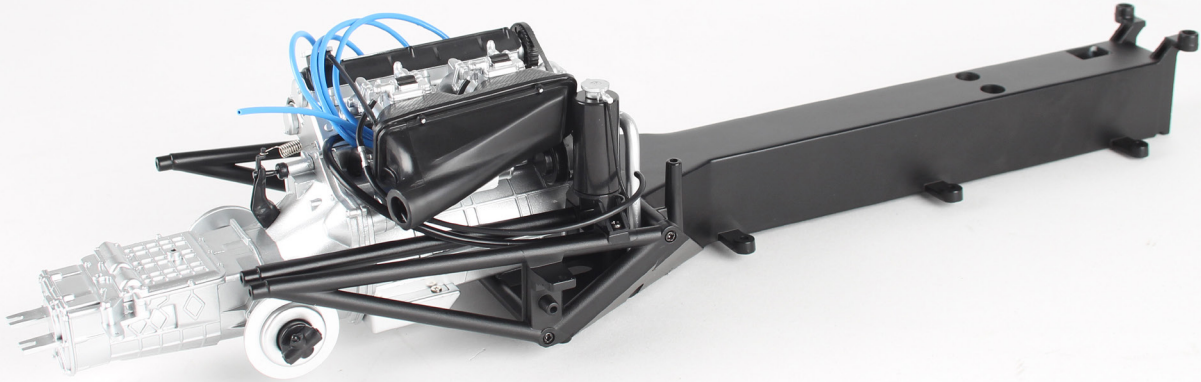
Fit the left side member (28-B), marked "L" (circled), onto the chassis and secure with 2x DS06 screws.



Fit the pressure cap (28-C) onto the header tank (arrow). The tube sits behind the side member, next to the header tank bracket (circled).

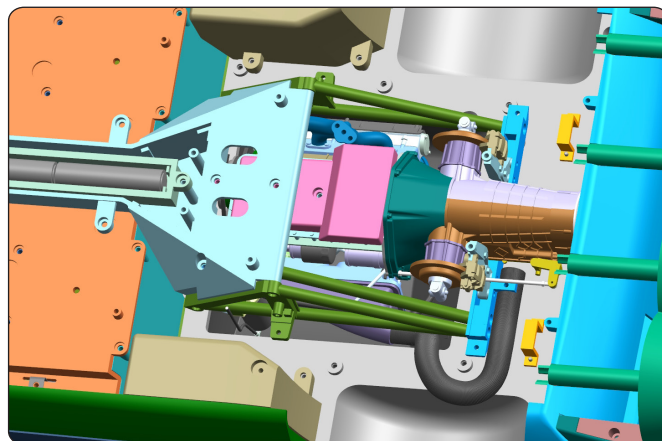
Stage 028: Attaching the Left and Right Side Members

STAGE COMPLETE



Stage 029: Fitting the Right Brake Caliper

You'll now fit the right brake caliper onto the cross member.

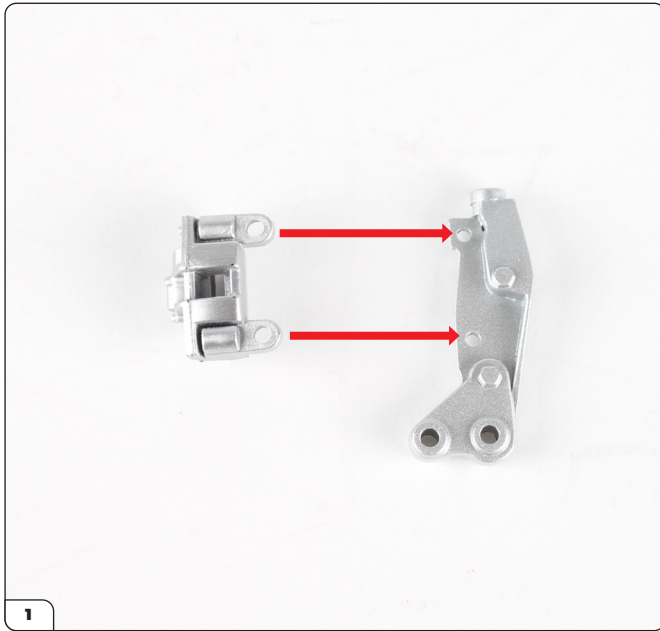


STAGE 029 PARTS LIST

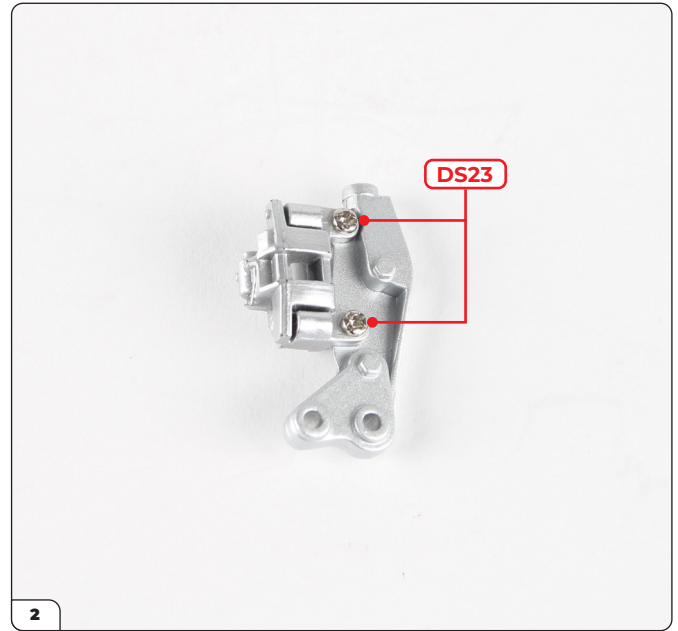
Name
29-A Cross member
29-B Right brake caliper mount
29-C Right brake caliper
DS02 screws x3
DS23 screws x3



Stage 029: Fitting the Right Brake Caliper



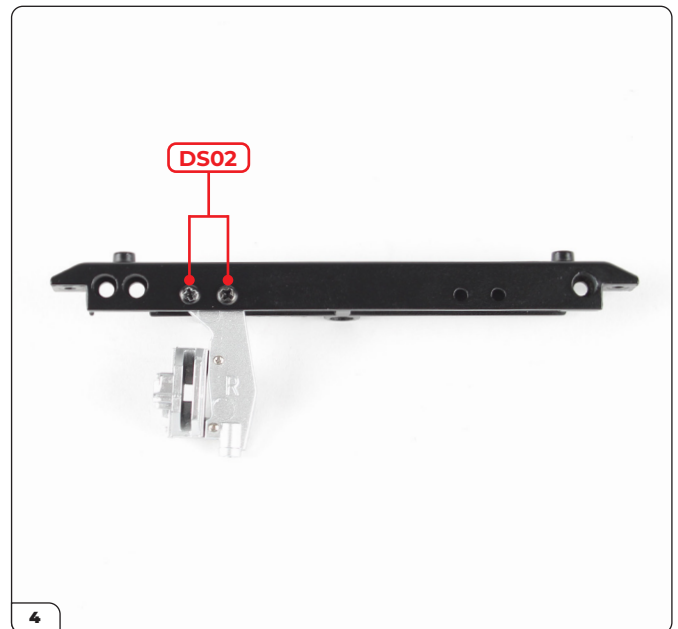
1
Align the right brake caliper (29-C) with the mount (29-B) as shown.



2
Place it into position as shown and secure with 2x DS23 screws.



3
Align the mount with the cross member (29-A). Check the orientation of the parts in the image carefully, the right caliper mount should be fitted next to the two large holes (circled).



4
Place the mount on the cross member and secure with 2x DS02 screws.

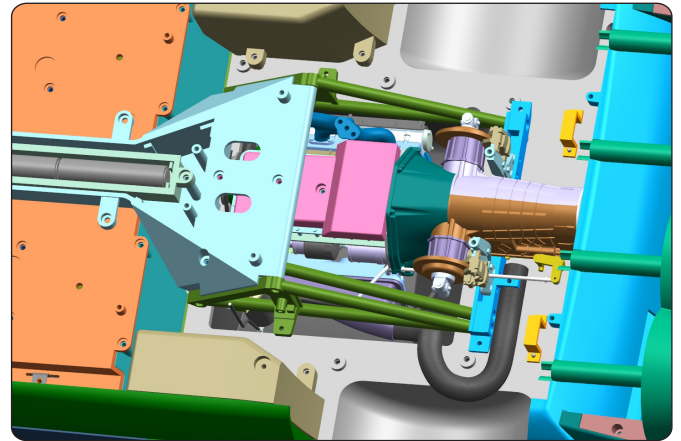
Stage 029: Fitting the Right Brake Caliper

STAGE COMPLETE



Stage 030: Fitting the Left Brake Caliper and Attaching the Cross Member

In this stage you'll fit the left brake caliper then attach the cross member to the assembly. You'll also fit the induction hose to the air box.

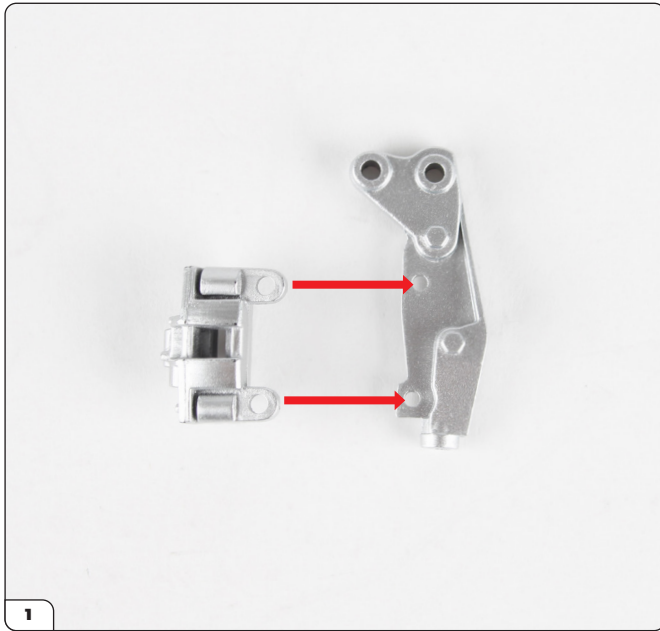


STAGE 030 PARTS LIST

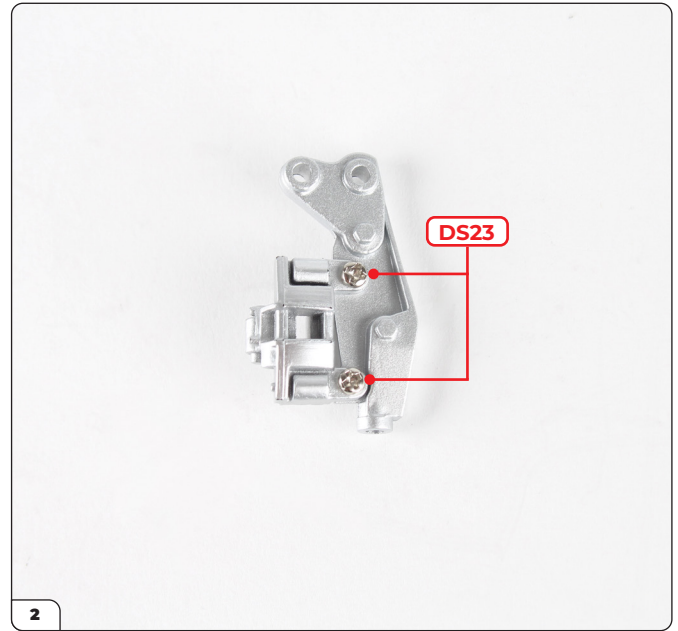
Name	Name
30-A Left brake caliper mount	DS02 screws x7
30-B Left brake caliper	PS03 screws x2
30-C Gear change linkage	PS14 screws x2
30-D Induction hose	DS23 screws x3



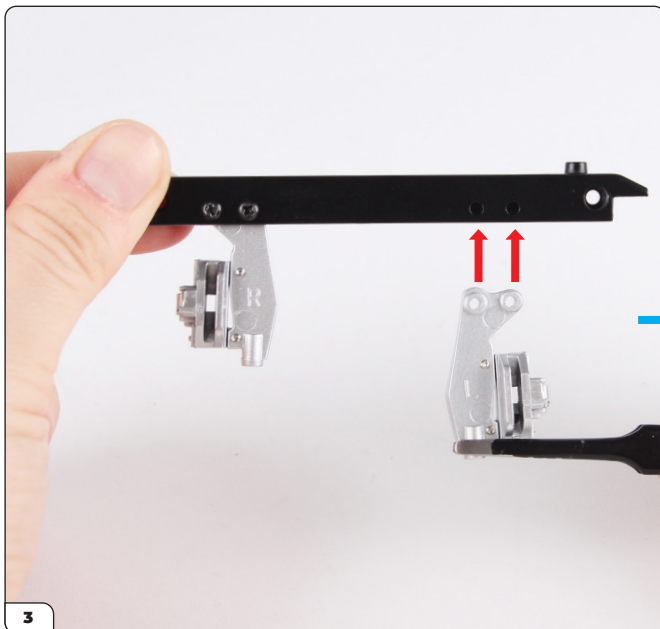
Stage 030: Fitting the Left Brake Caliper and Attaching the Cross Member



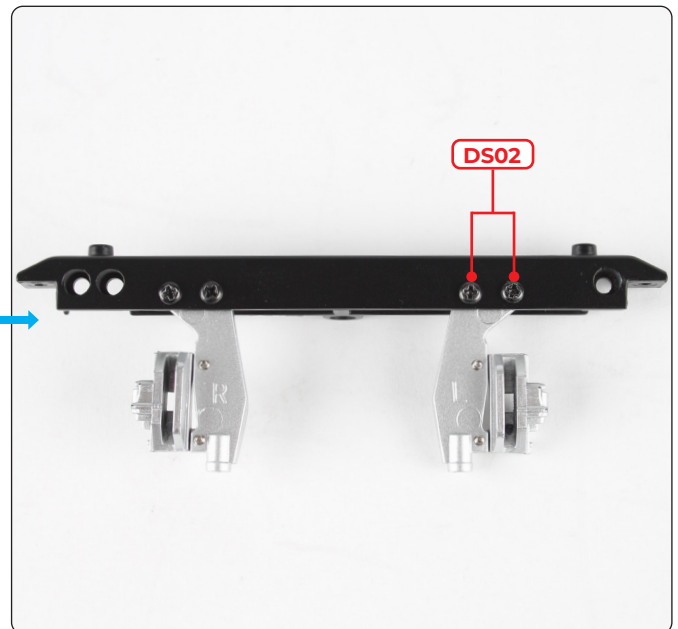
Align the left brake caliper (30-B) with the mount (30-A) as shown.



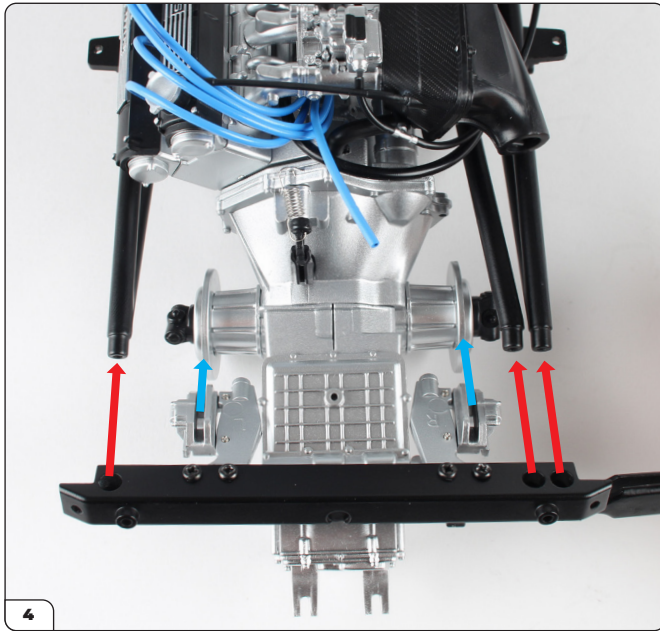
Place into position as shown and secure with 2x DS23 screws.



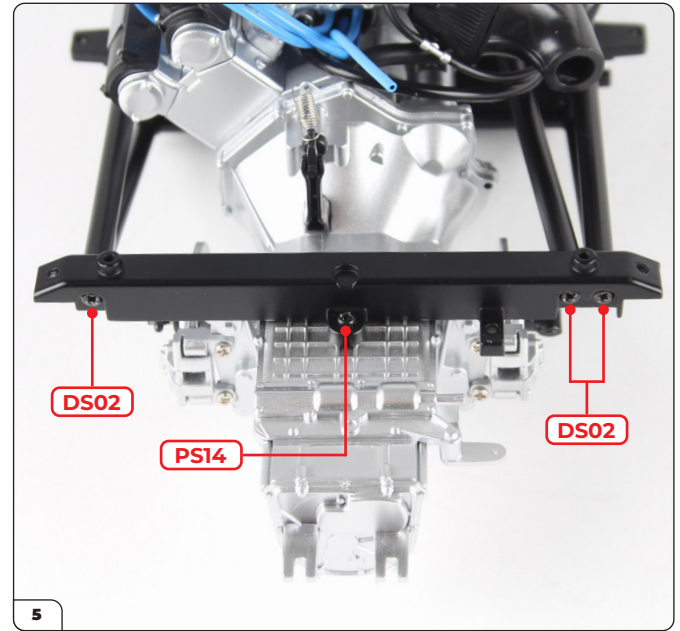
Align the mount with the cross member (stage 29) then place it as shown and secure with 2x DS02 screws.



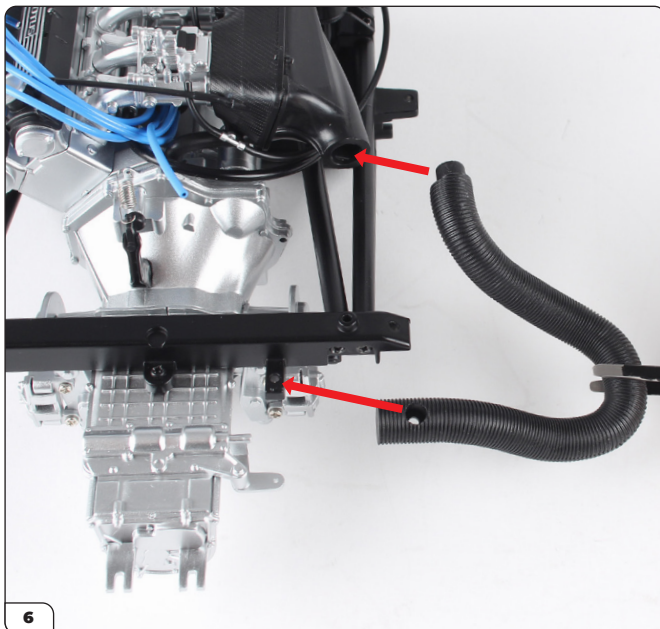
Stage 030: Fitting the Left Brake Caliper and Attaching the Cross Member



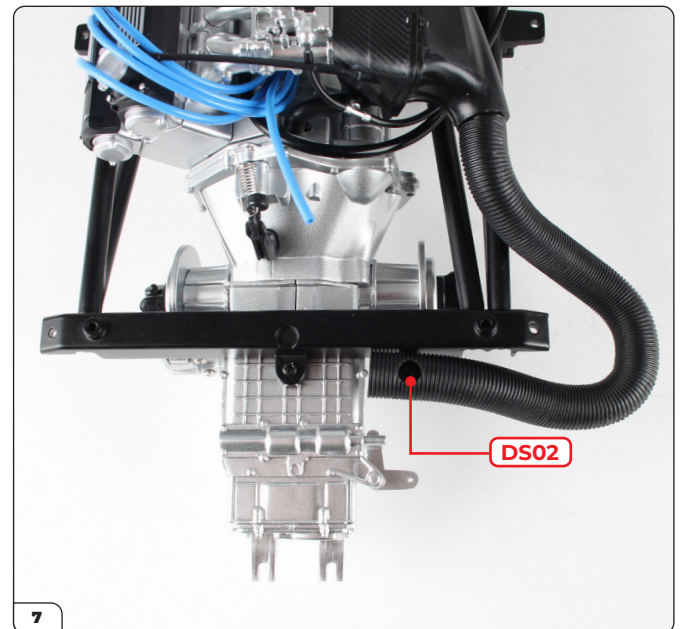
Align the cross member with the side members (red arrows) and the brake calipers with the brake discs (blue arrows).



Fit the cross member and secure it using 3x DS02 and 1x PS14 screws.

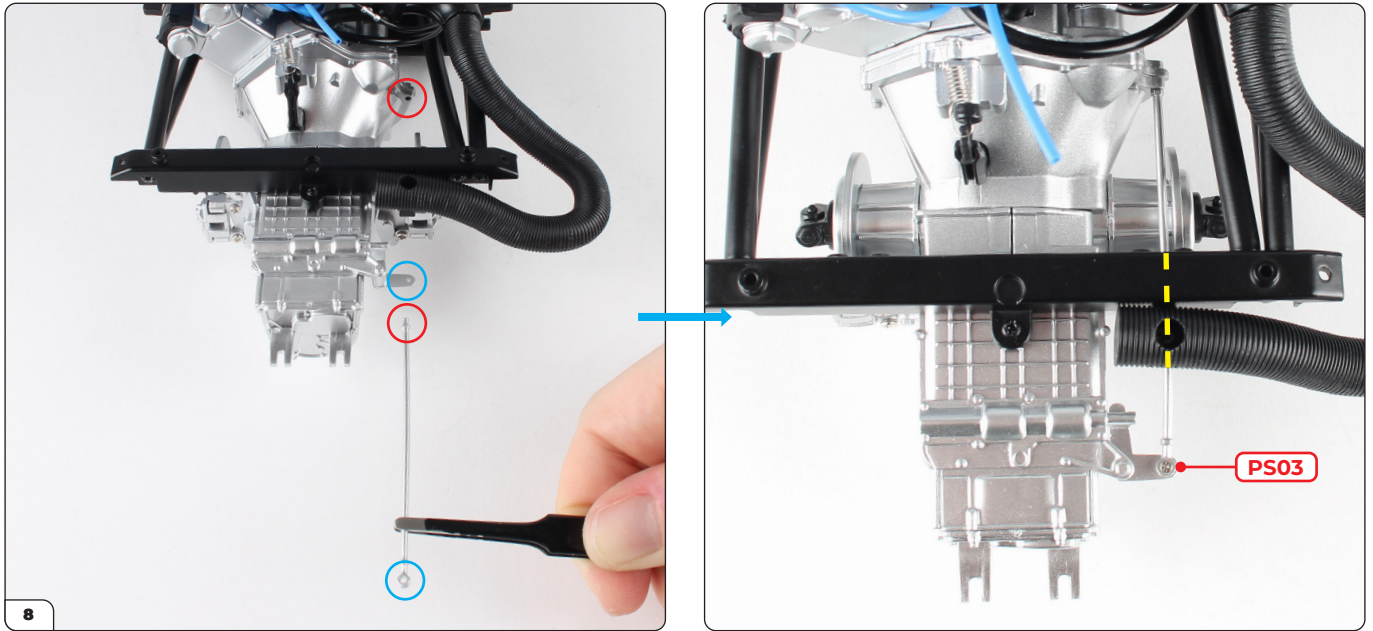


Align the induction hose (30-D) with the cross member and the air box.



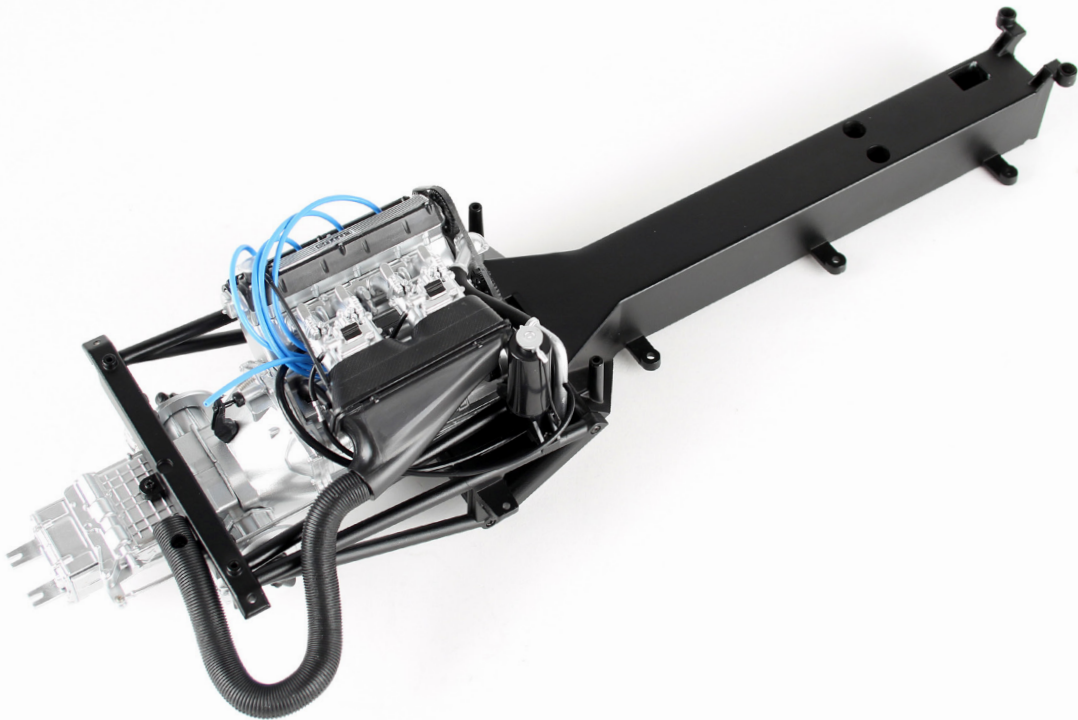
Place it as shown and secure with a DS02 screw.

Stage 030: Fitting the Left Brake Caliper and Attaching the Cross Member



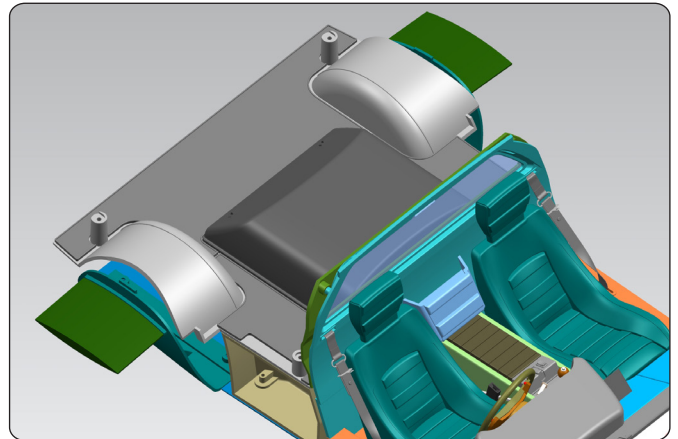
Fit the gear change linkage (30-C) under the cross member and into the small hole on the bell housing (red circles). Place the other end as shown by the blue circles then secure in place with a PS03 screw.

STAGE COMPLETE



Stage 031: Fitting Carpet to the Rear Floor

You'll now start working on the rear floor, starting with fitting the carpet.



STAGE 031 PARTS LIST

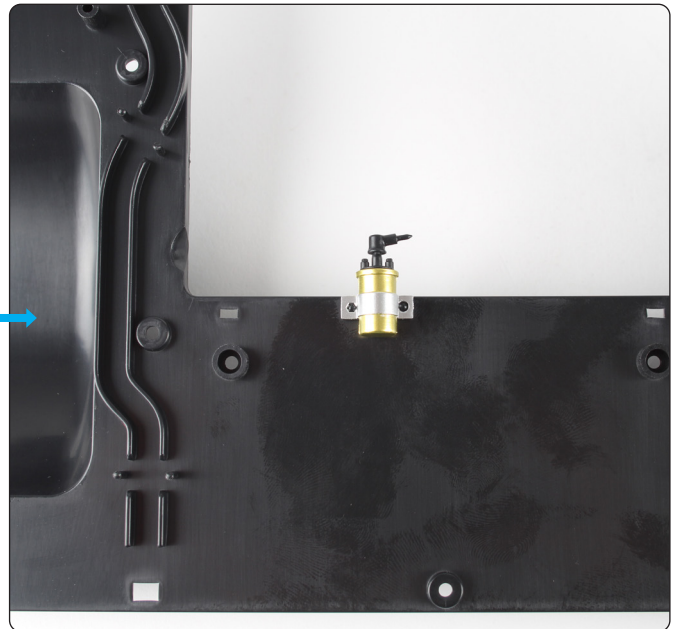
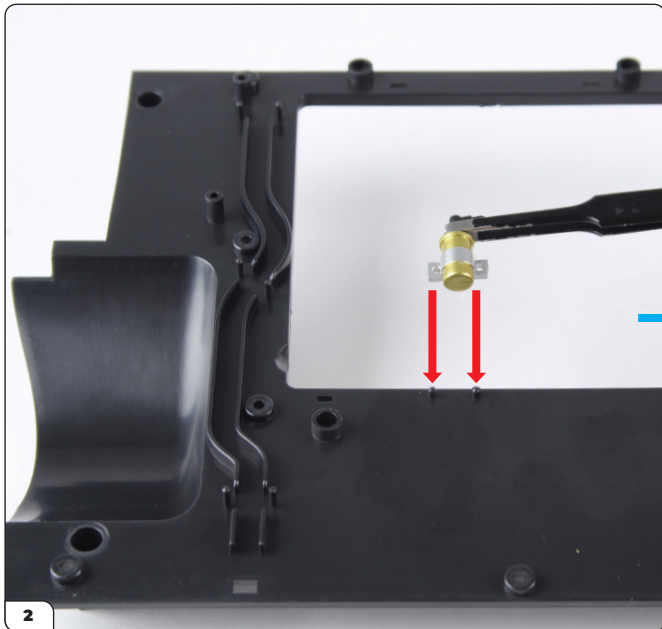
Name
31-A Rear floor
31-B Coil
31-C Coil connector
31-D Carpet sticker sheet
DS02 screws x5



Stage 031: Fitting Carpet to the Rear Floor

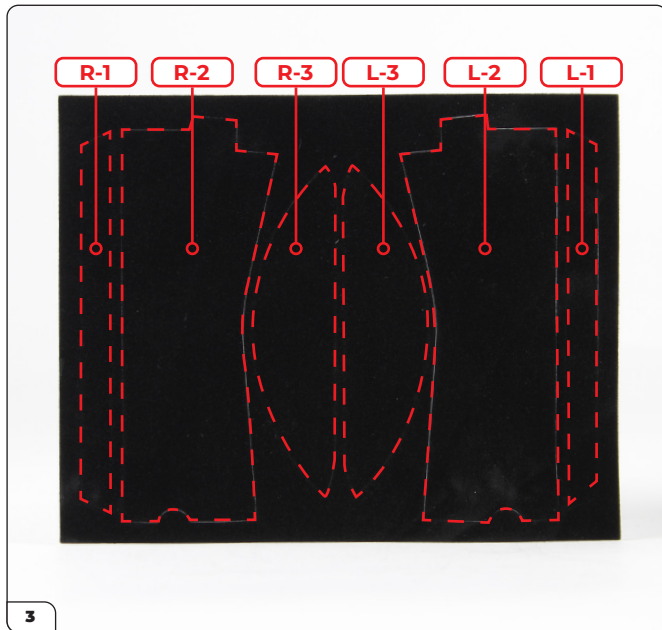


Fit the coil connector (31-C) on the coil (31-B).



Press the coil onto the two pins on the underside of the rear floor (31-A).

Stage 031: Fitting Carpet to the Rear Floor



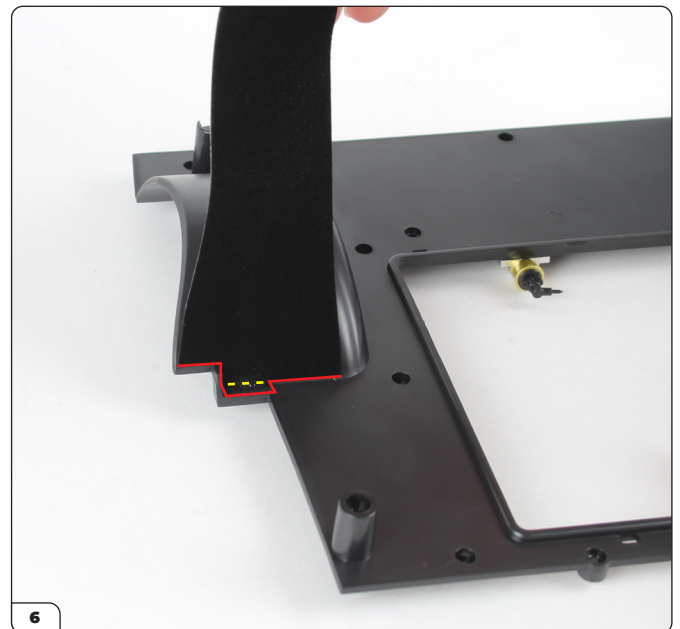
There are six stickers on part 31-D. They will be referred to by the part names shown above.



Peel sticker R-2 from the backing paper.



Align R-2 with the top of the rear right wheel arch on the interior floor. Note the shape as indicated by the red lines.



Begin to stick R-2 in position by fitting it to the matching shape. The yellow dashed line indicates a fold in the sticker.

Stage 031: Fitting Carpet to the Rear Floor



7 Apply the sticker smoothly over the arch, pressing the curved indentation around the screw post.



8 Peel sticker R-3 from the backing paper.

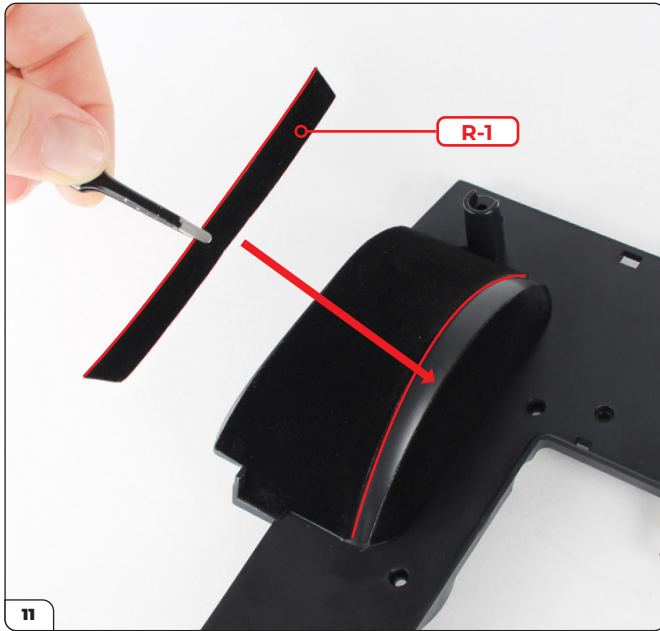


9 Stick R-3 to the inside of the wheel arch, fitting the flat edge to the floor (dashed line) and aligning the ends with R-2 (arrows).

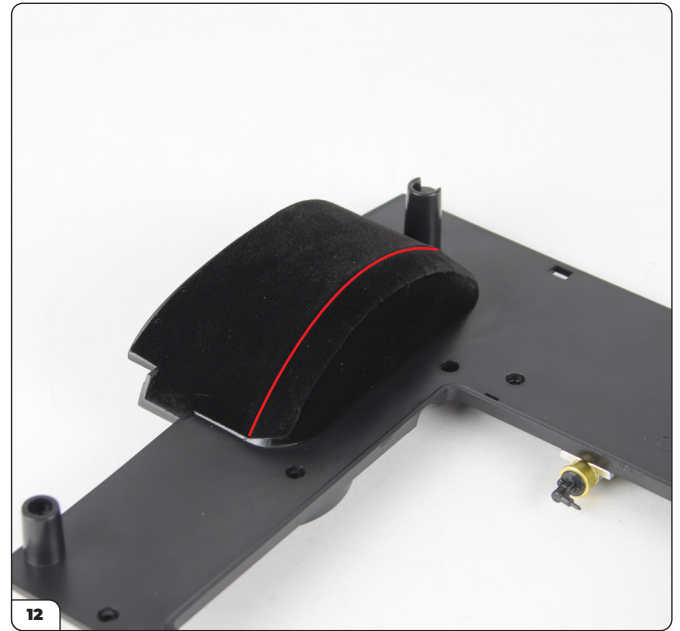


10 Press the sticker firmly around the edges.

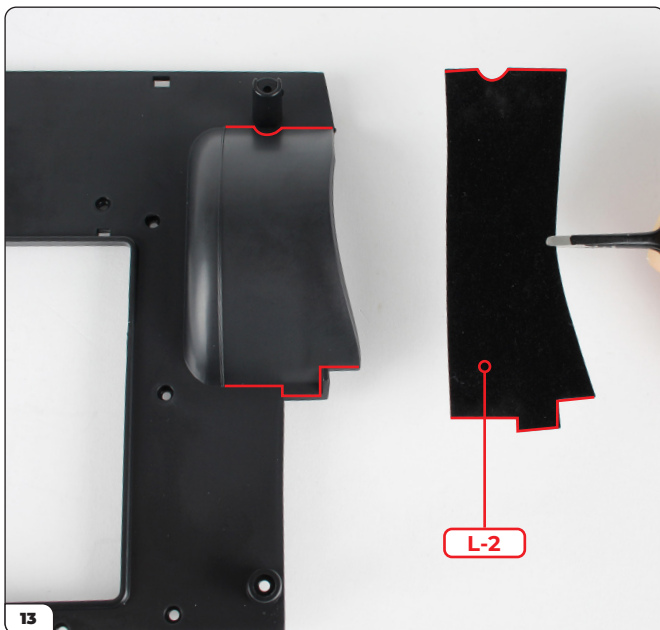
Stage 031: Fitting Carpet to the Rear Floor



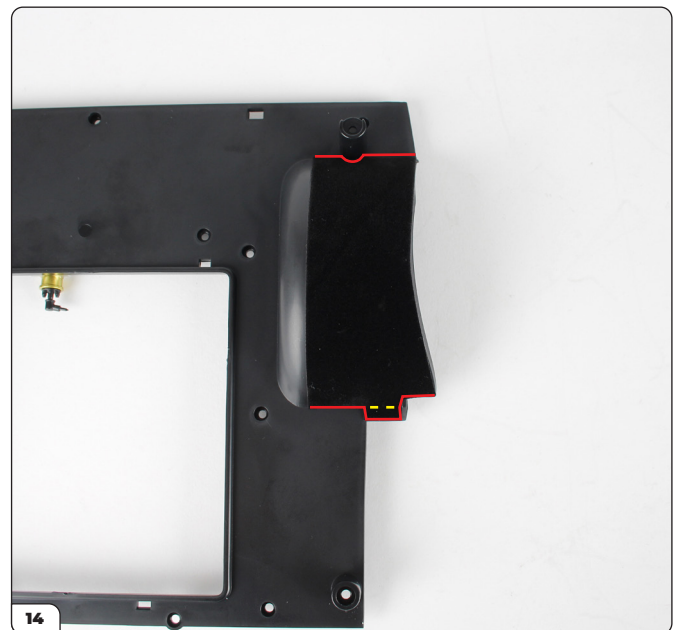
Peel sticker R-1 and align it with the gap between R-2 and R-3.



Align the longest edge of sticker R-1 with the edge of R-2 (red line). Stick in place, stretching it across and pressing down over the curve. Note: There will be some overlap, you may prefer to test-fit then trim the excess.

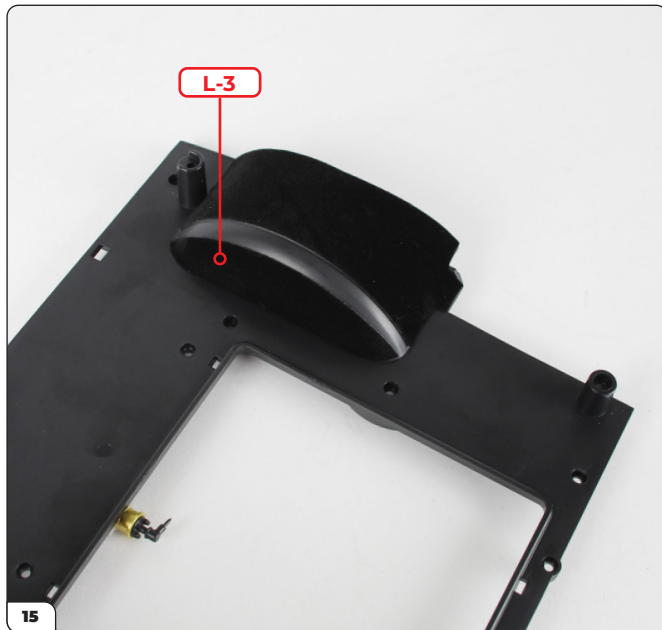


Peel sticker L2 and align it with the other side.

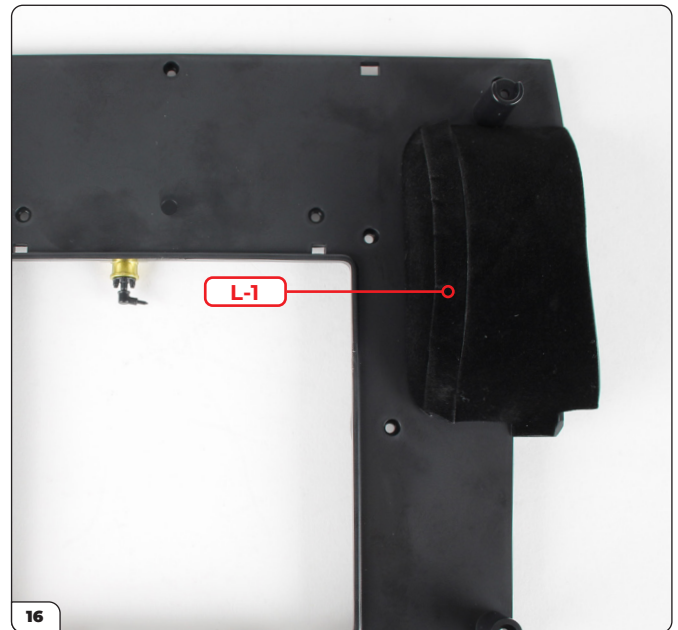


Stick into place in the same way as before.

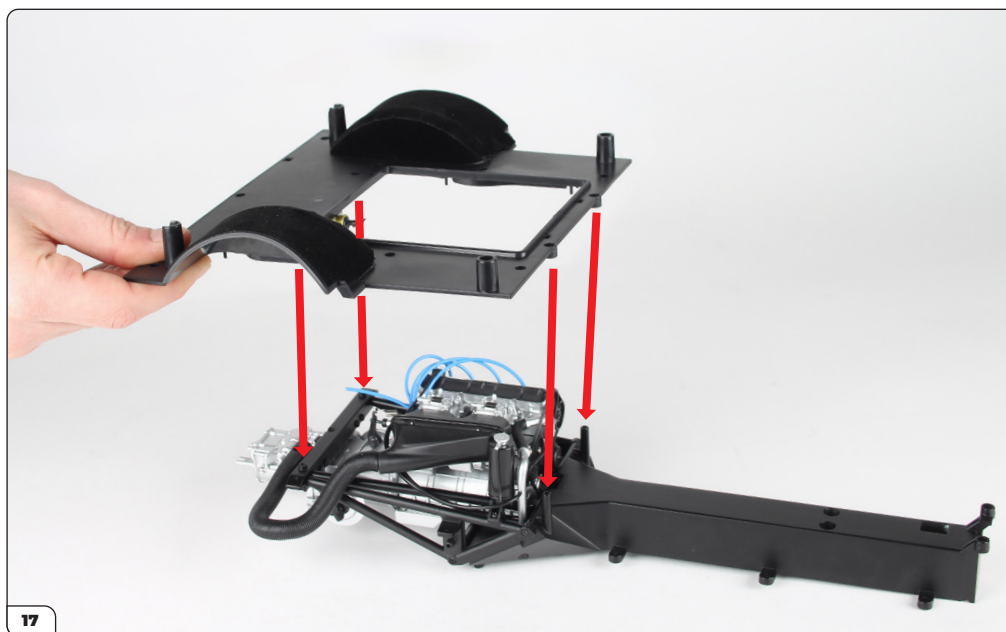
Stage 031: Fitting Carpet to the Rear Floor



Peel and stick L-3 in the same way as before.

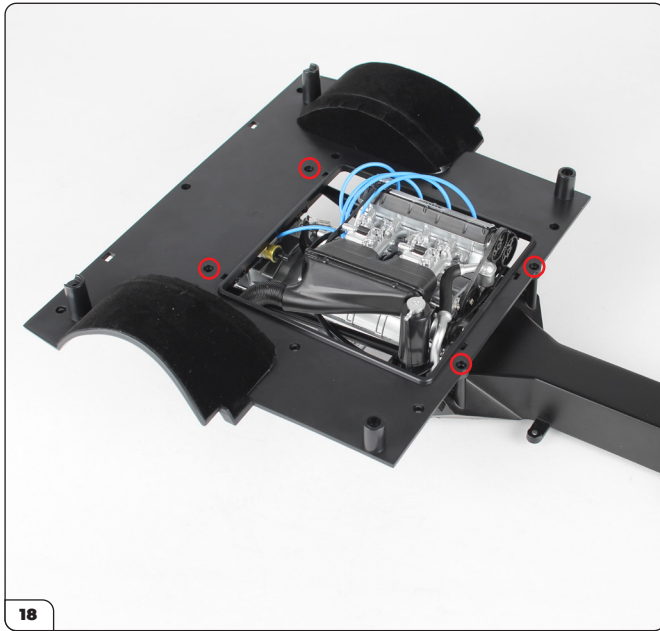


Peel and stick L-1 in the same way as before.

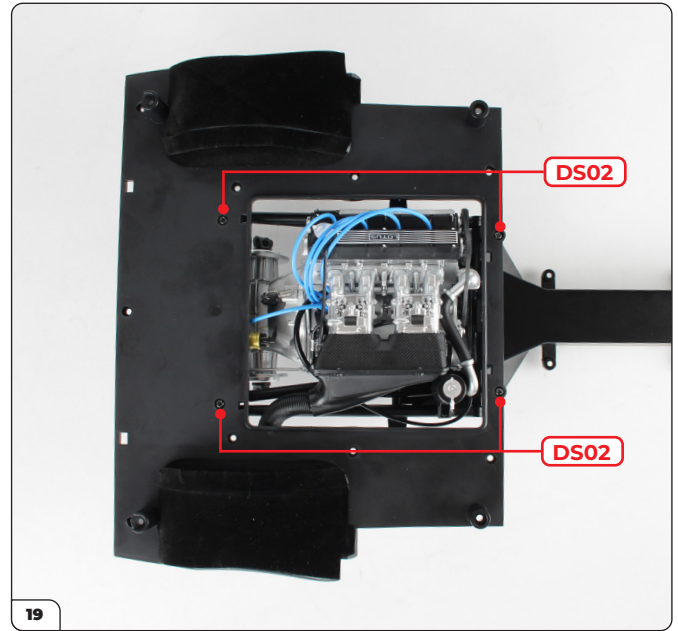


Align the interior floor with the chassis (stage 30).

Stage 031: Fitting Carpet to the Rear Floor

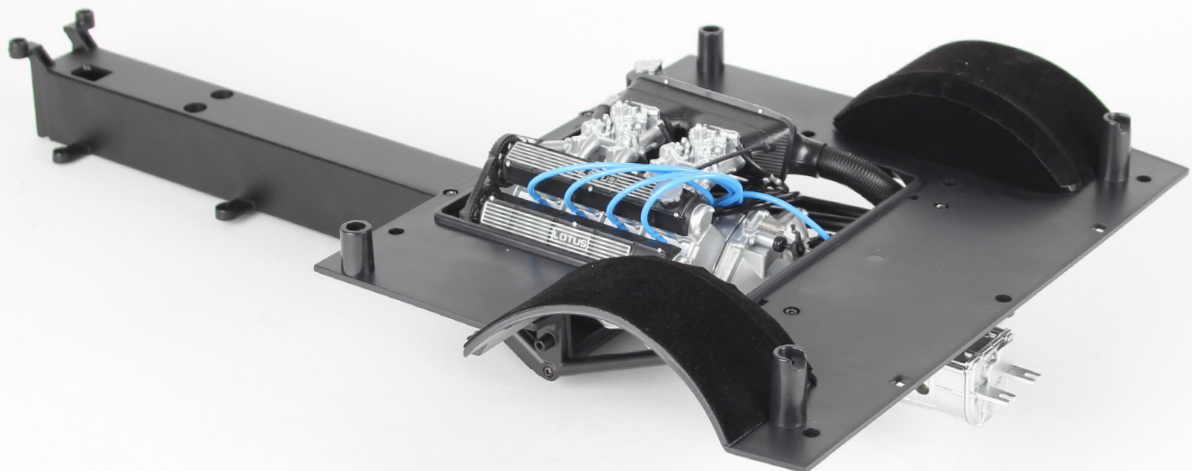


Fit the interior floor in place, checking the screw holes are aligned (circled).



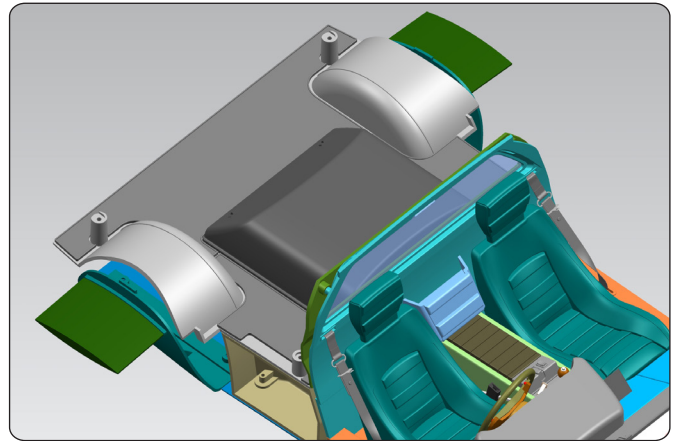
Secure in place with 4x DS02 screws.

STAGE COMPLETE



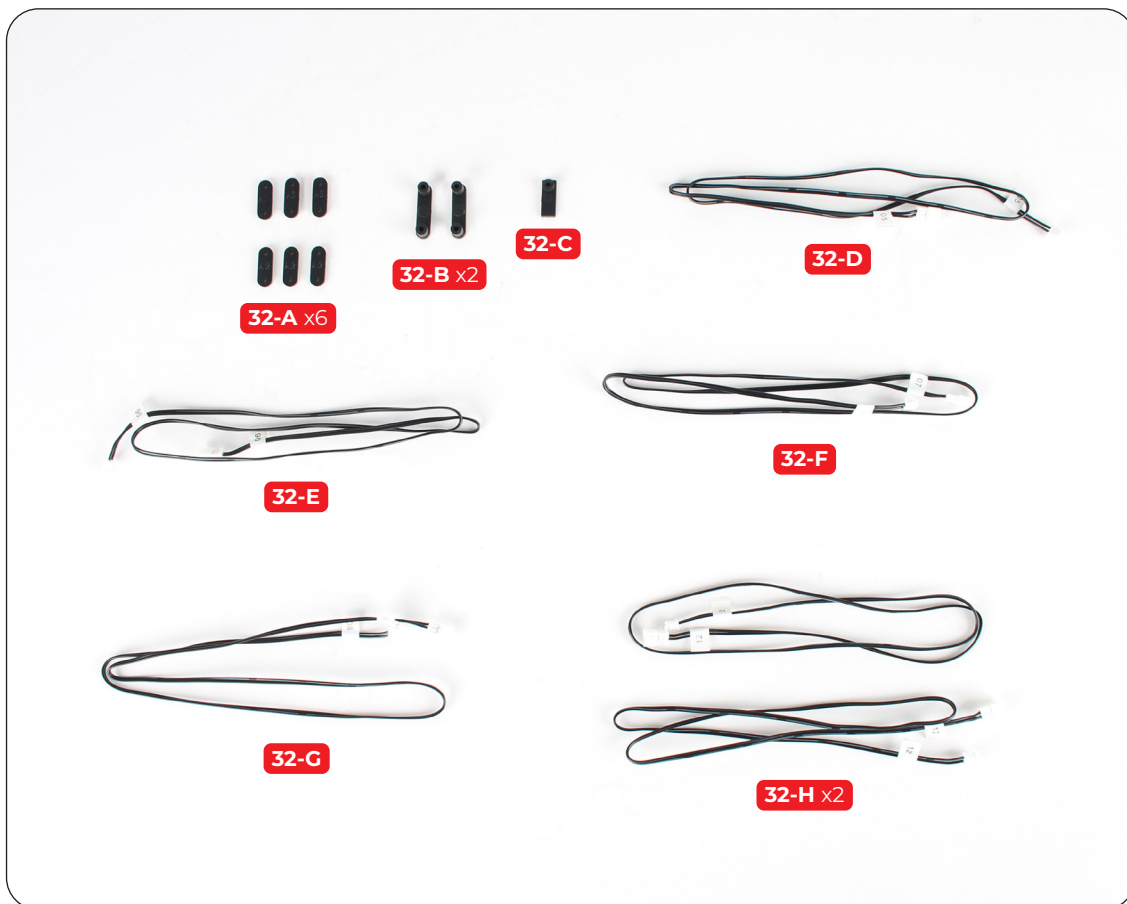
Stage 032: Threading Wires through the Transmission Tunnel

In this stage you'll start placing the wiring for your model by threading it through the transmission tunnel.

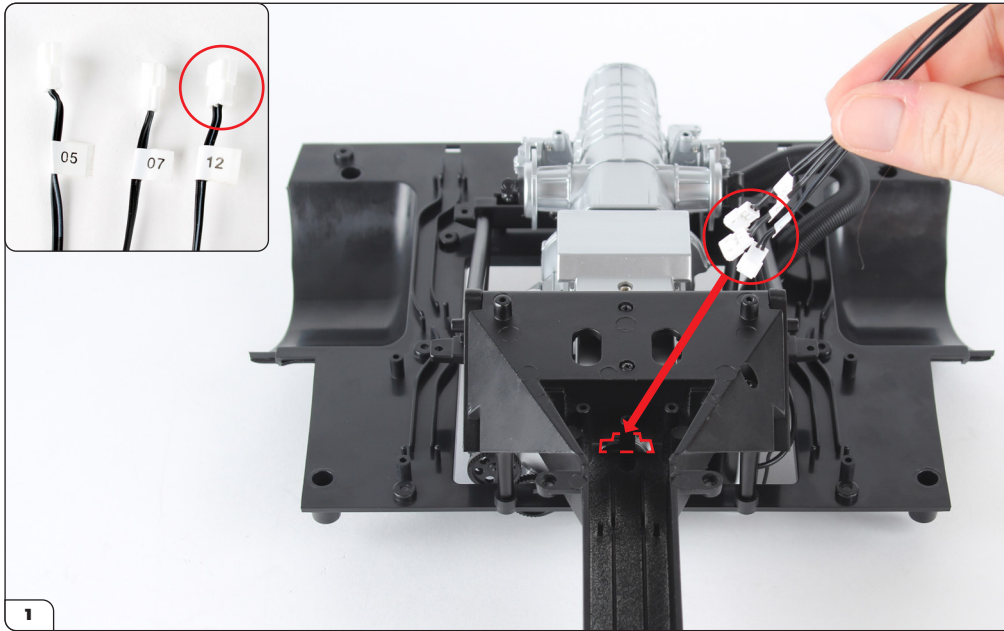


STAGE 032 PARTS LIST

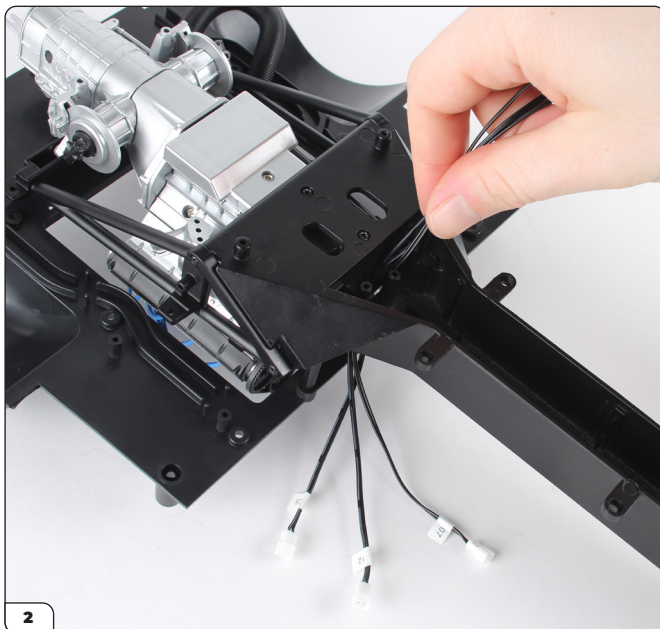
Name	Name
32-A Small wire bracket x6	32-E Wire "06"
32-B Large wire bracket x2	32-F Wire "07"
32-C Medium wire bracket	32-G Wire "08"
32-D Wire "05"	32-H Wire "12" x2



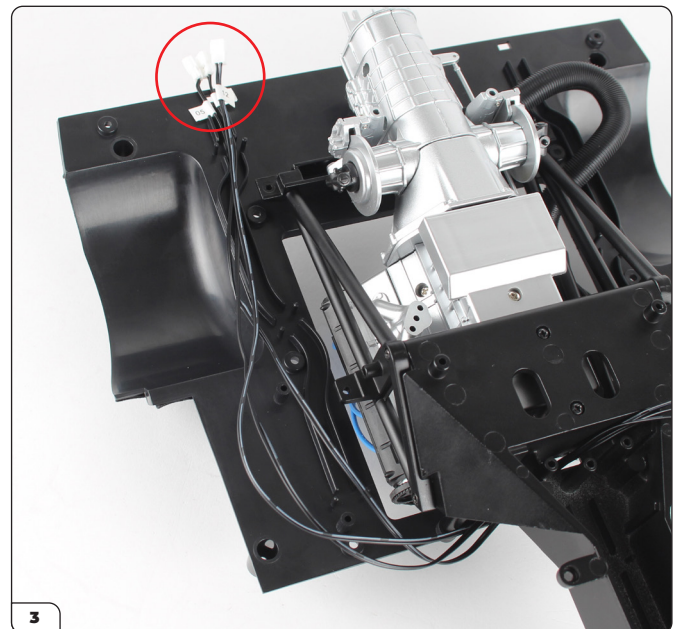
Stage 032: Threading Wires through the Transmission Tunnel



Take the wires No. 05, No. 07, and No. 12 (32-D, 32-F, 32-H). Locate the socket ends (circled) and fit them through the hole in the transmission tunnel.

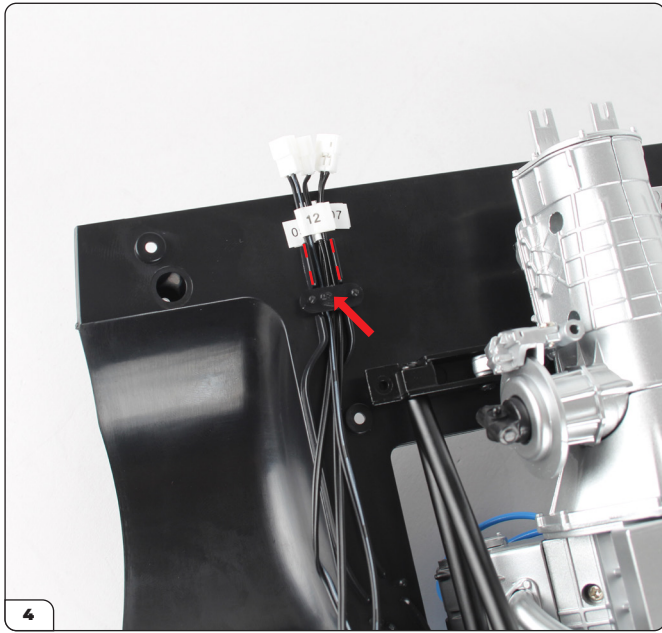


Position the ends on the left side of the assembly as shown.

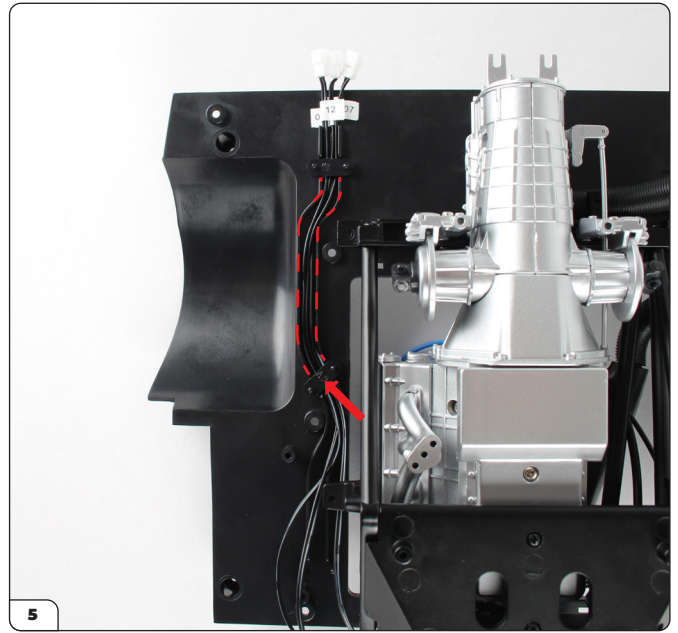


Pull the cables through and place the socket ends so that they protrude over the edge of the rear floor (circled).

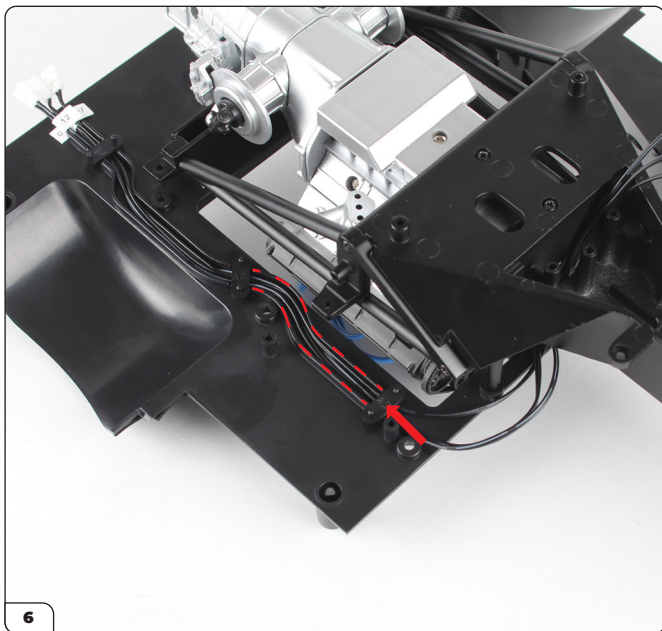
Stage 032: Threading Wires through the Transmission Tunnel



Keeping the ends in place, fit the wires into the channel (dashed lines) and secure with a small wire bracket (32-A).



Fit the wires into the next section of the channel (dashed lines) and secure with another small wire bracket.

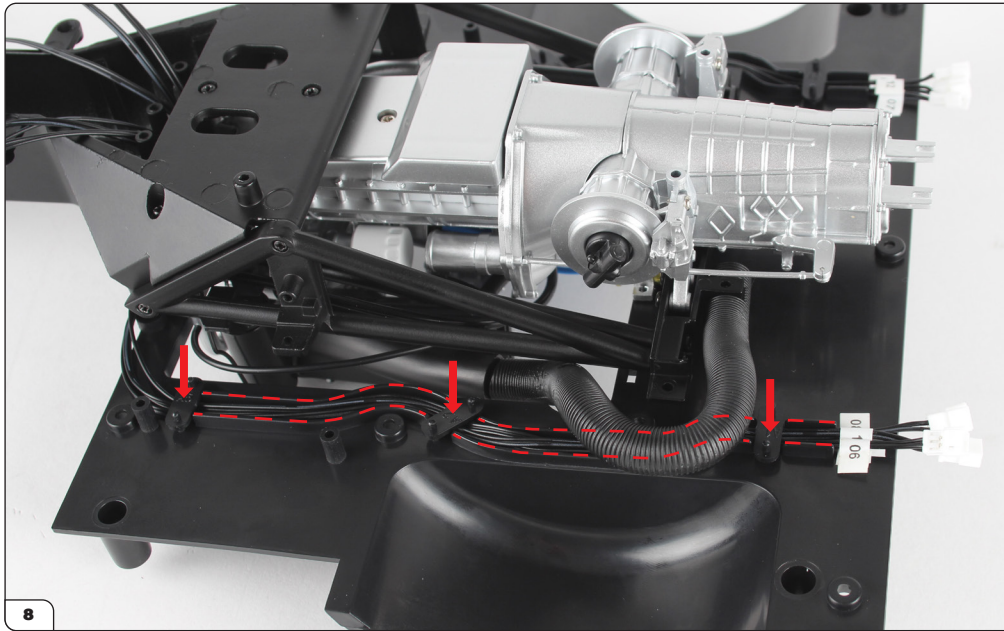


Fit the wires into the last section of the channel (dashed lines) and secure with another small wire bracket.

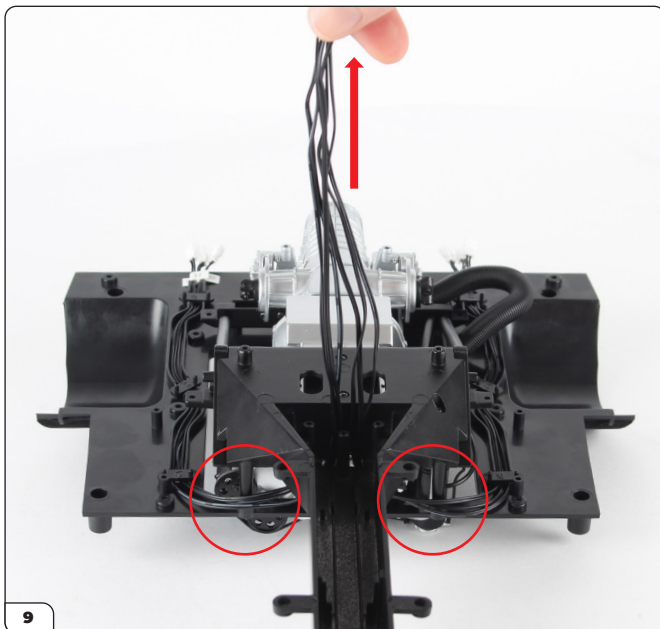


Take the wires No. 06, No. 08, and No. 12 (32-E, 32-G, 32-H). You'll now follow the same process to secure these on the other side.

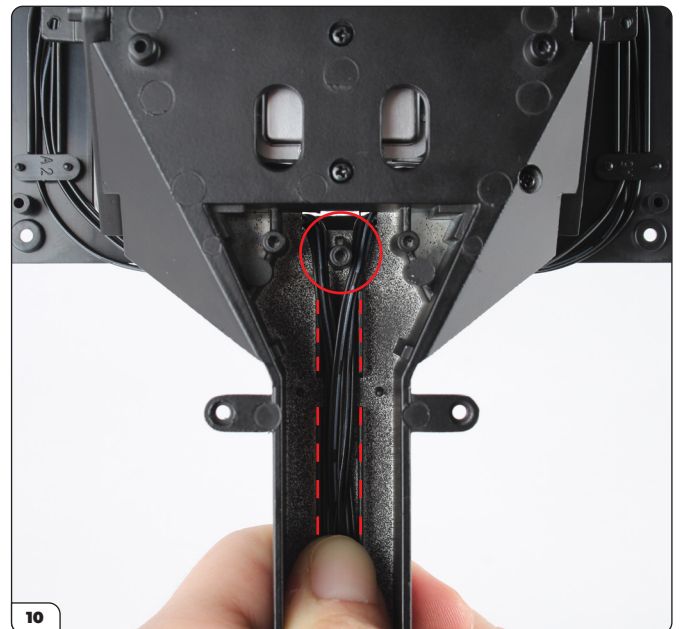
Stage 032: Threading Wires through the Transmission Tunnel



Fit the socket ends through the same opening in the transmission tunnel, then position them over the rear floor on the opposite side. Fit the wires into the channel, securing them with 3x small wire brackets.

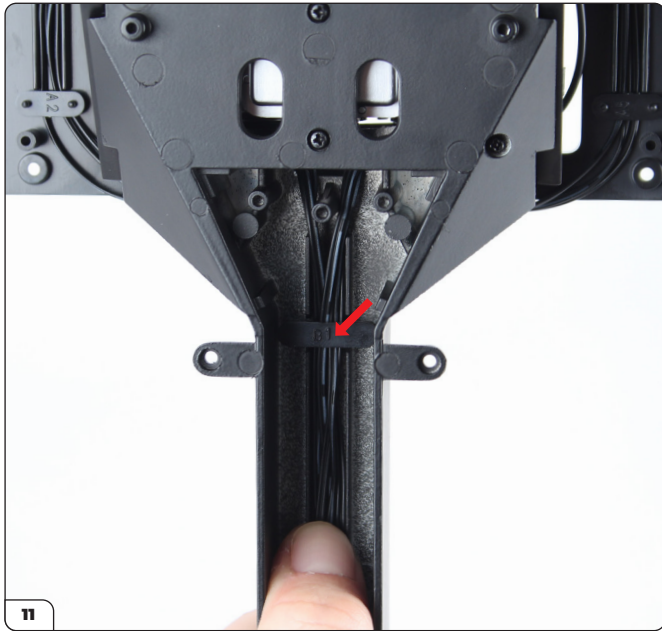


Carefully pull the other ends of the wires (arrow) until they are tight around the pillars (circled).

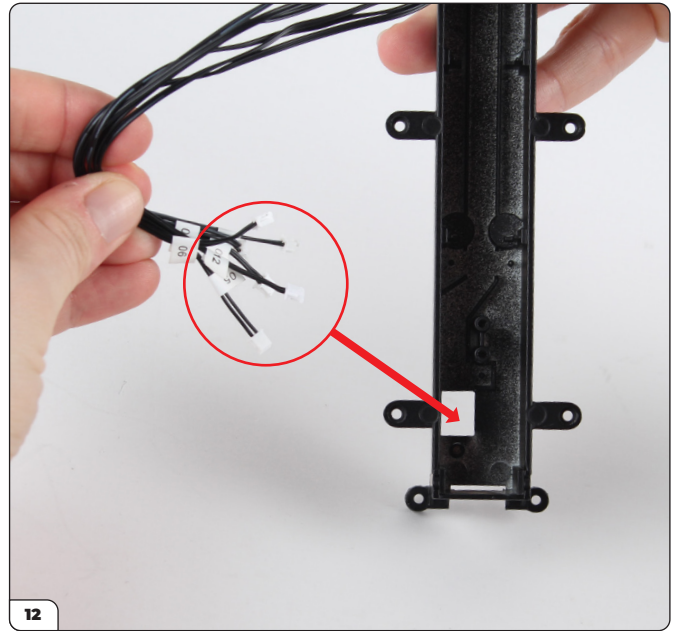


Position the wires into the central channel (dashed line) in the transmission tunnel. Make sure they are placed around the screw post (circled).

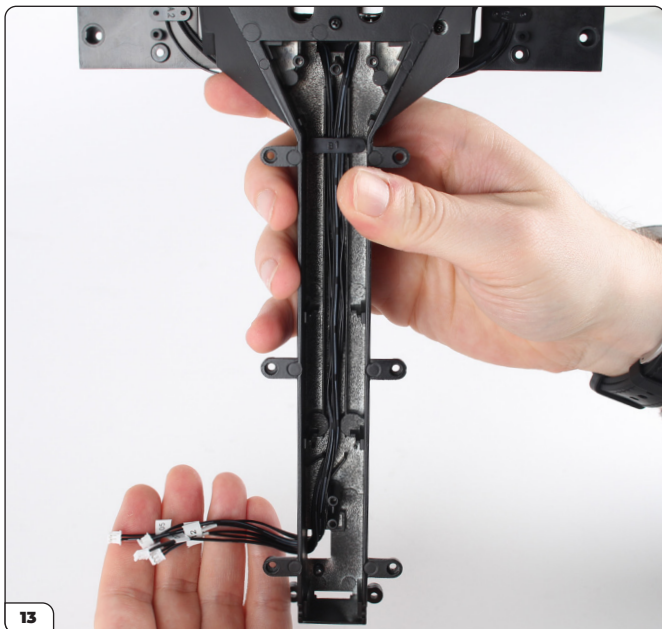
Stage 032: Threading Wires through the Transmission Tunnel



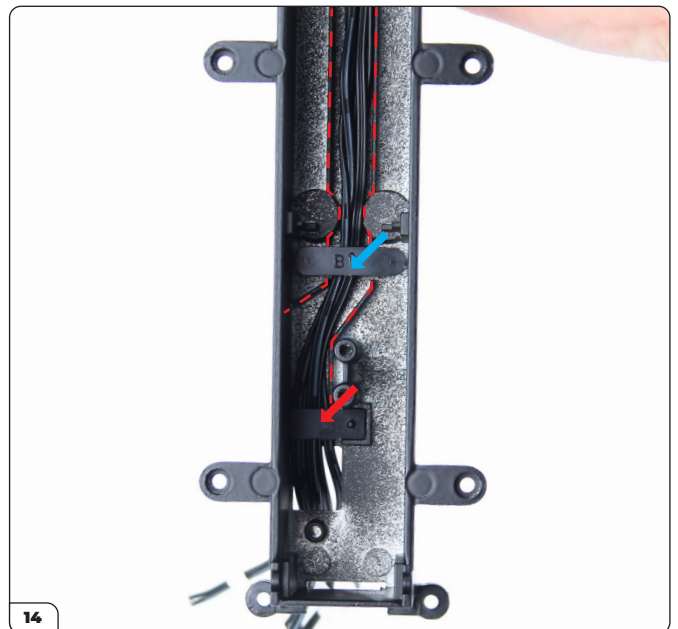
Fit a large wire bracket (32-B) to secure the wires.



Fit the ends of the wires through the rectangular opening at the end of the transmission tunnel.



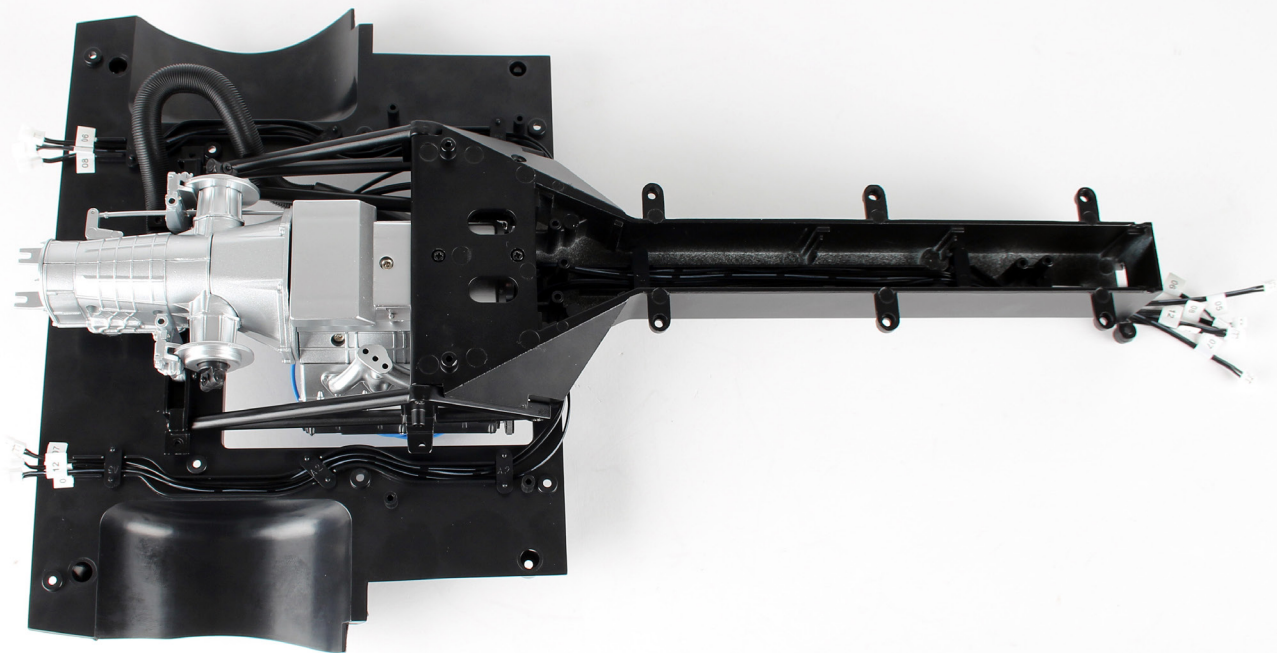
The wires should now look like this.



Fit the wires into the last section of the channel (dashed lines) and secure with the other large wire bracket (blue arrow) then the medium wire bracket (32-C, red arrow).

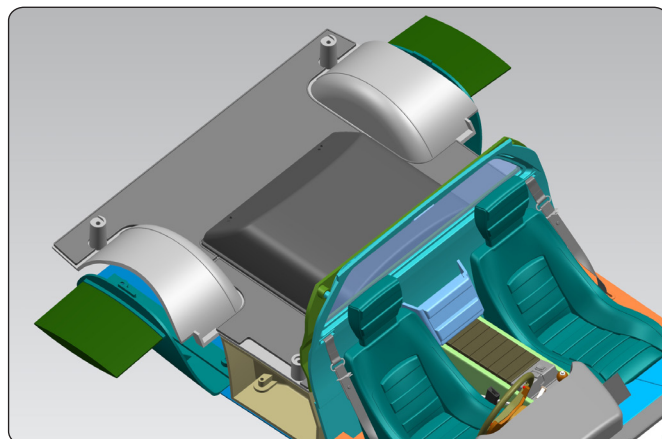
Stage 032: Threading Wires through the Transmission Tunnel

STAGE COMPLETE



Stage 033: Fitting the Right and Left Floor Panels

In this stage you'll place carpet on the right and left floor panels before securing them to the rear floor assembly.



STAGE 033 PARTS LIST

Name
33-A Right floor panel
33-B Left floor panel
33-C Carpet sticker sheet
PS05 screws x5



33-A



33-B

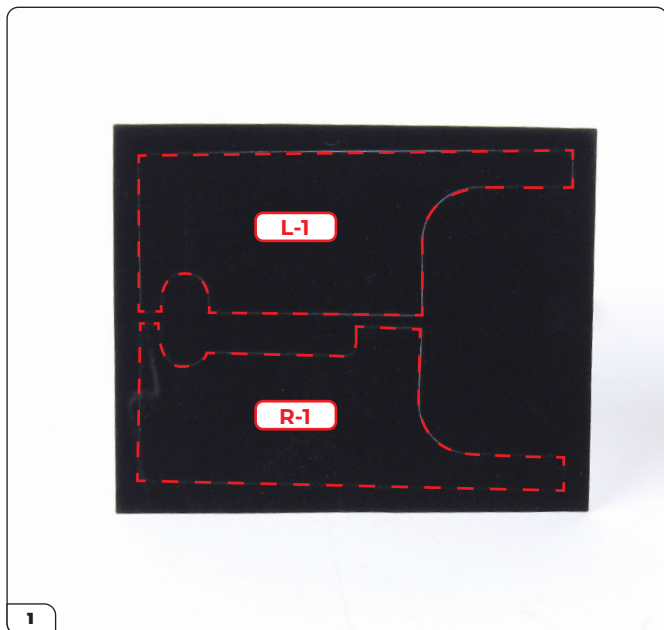


33-C



PS05 x5

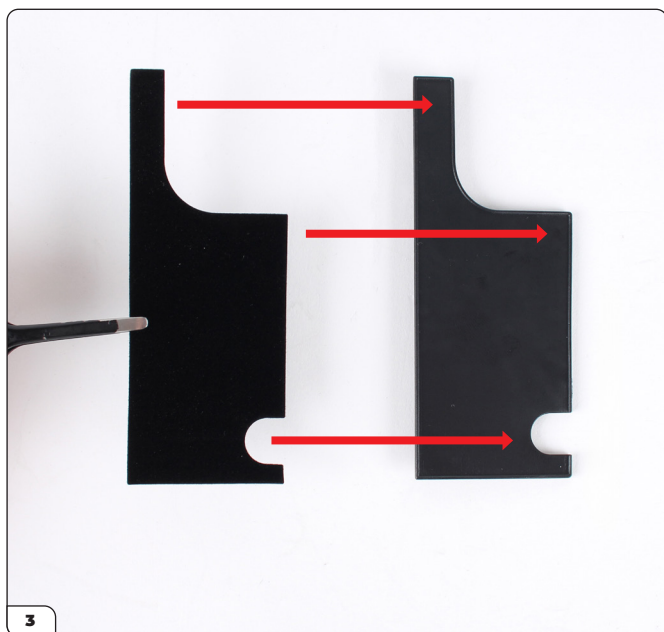
Stage 033: Fitting the Right and Left Floor Panels



Take the sticker sheet (33-C). There are two stickers on it which will be referred to as L-1 and R-1 as shown.



Peel sticker L-1 from the backing paper.



Align the sticker with the left floor panel (33-B).

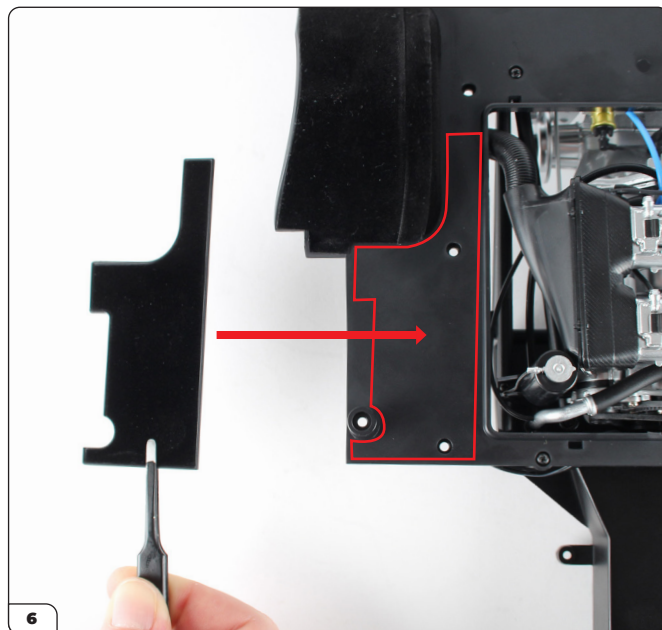


Place the sticker onto the panel.

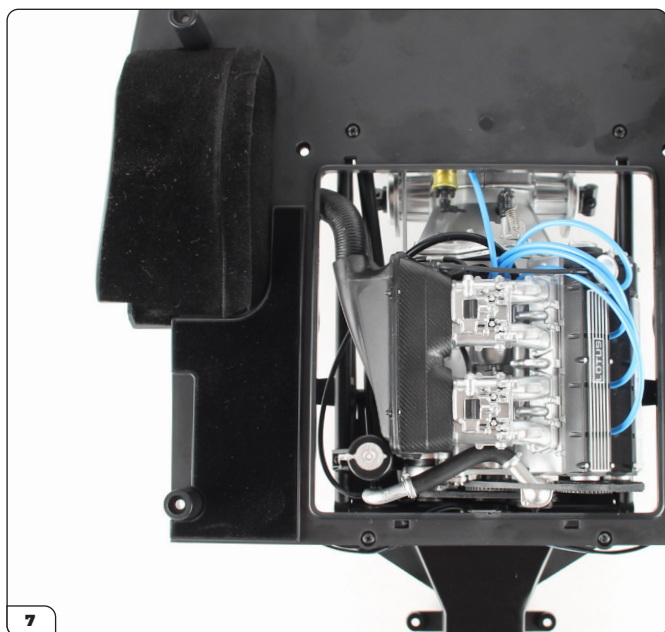
Stage 033: Fitting the Right and Left Floor Panels



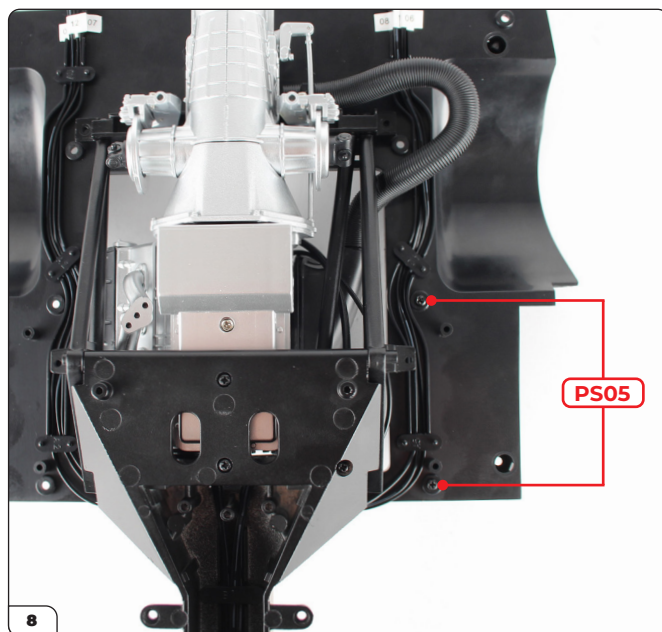
Peel sticker R-1 from the sheet and apply it to the right floor panel (33-A) in the same way.



Align the right floor panel with the rear floor (stage 32).

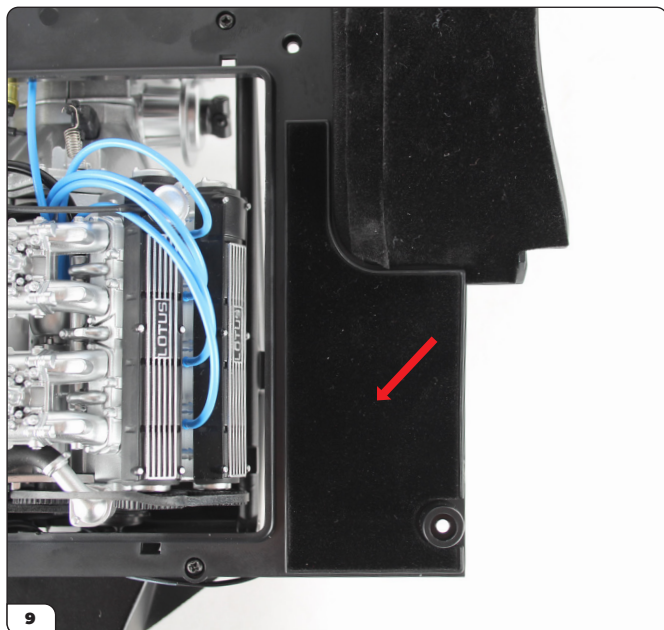


Fit the right floor panel in place.

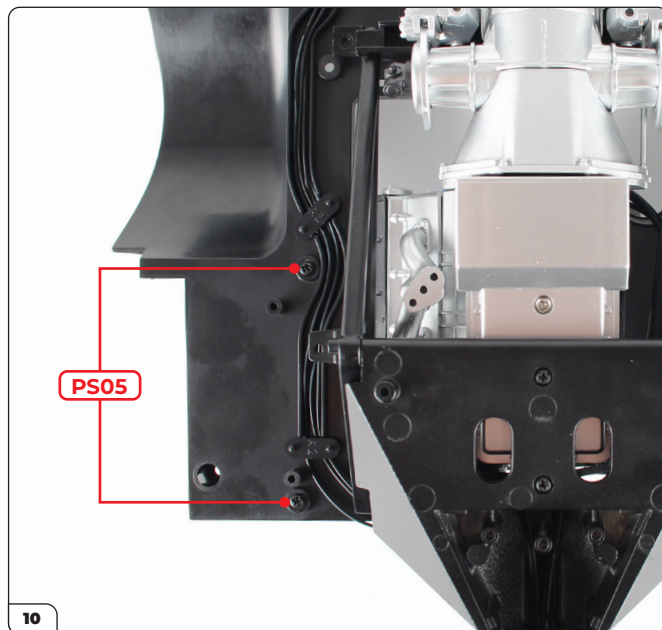


Secure from underneath with 2x PS05 screws.

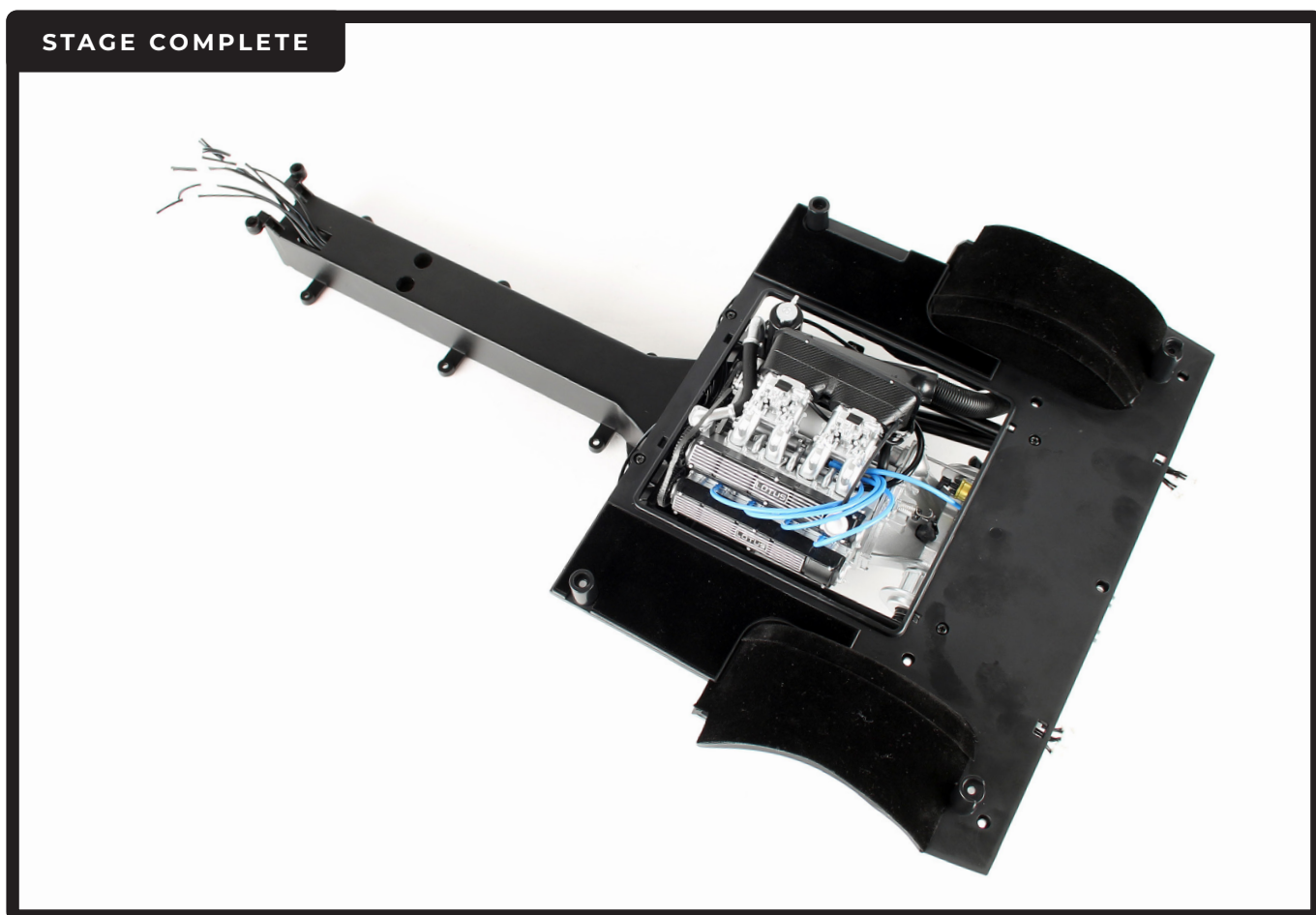
Stage 033: Fitting the Right and Left Floor Panels



Fit the left floor panel onto the opposite side.

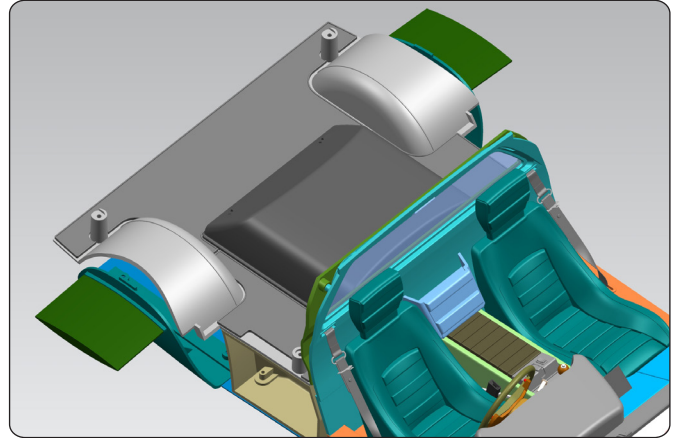


Secure with 2x PS05 screws.



Stage 034: Fitting the Rear Floor Panel

In the final stage you'll place carpet on the rear floor panel before securing it to the rear floor assembly.

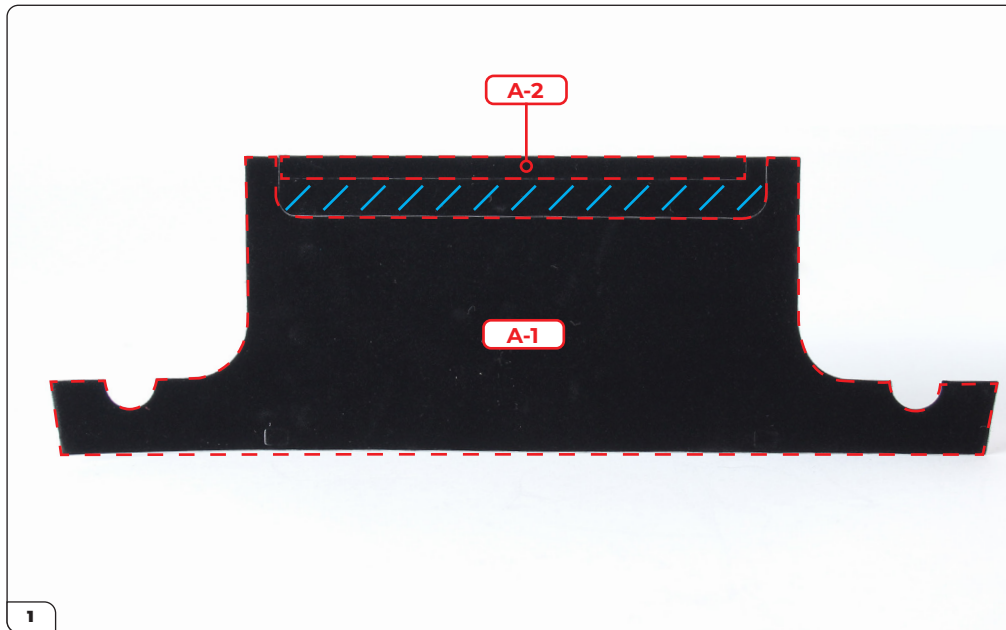


STAGE 034 PARTS LIST

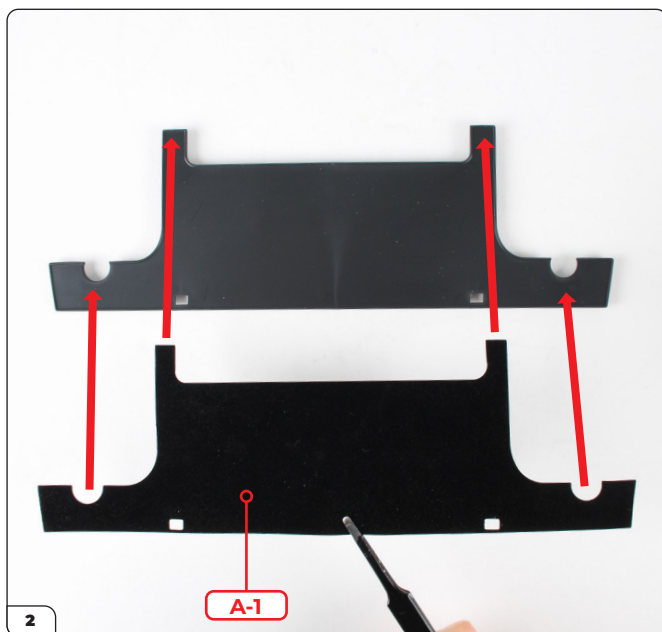
Name
34-A Rear floor panel
34-B Carpet sticker sheet
PS05 screws x6



Stage 034: Fitting the Rear Floor Panel



Take the carpet sticker sheet (34-B). It has two different pieces on it, which will be referred to by the labels shown. The middle section with diagonal blue lines will not be used.

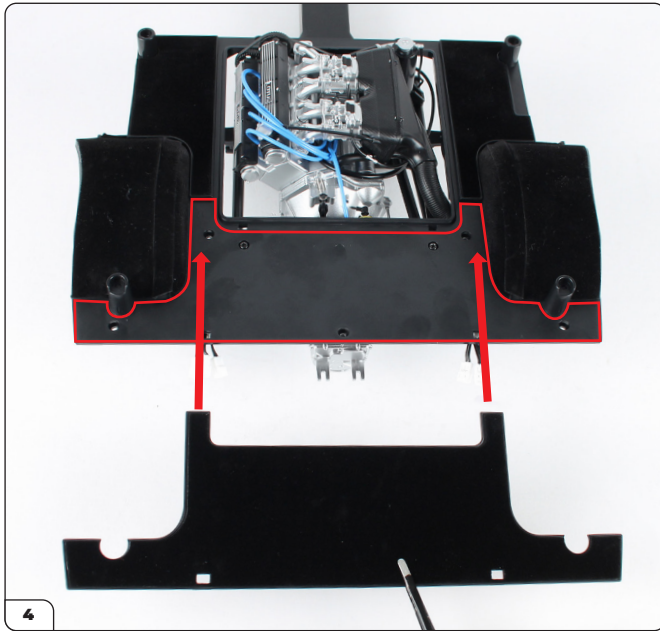


Peel the sticker A-1 from the backing paper and align it with the rear floor panel (34-A).

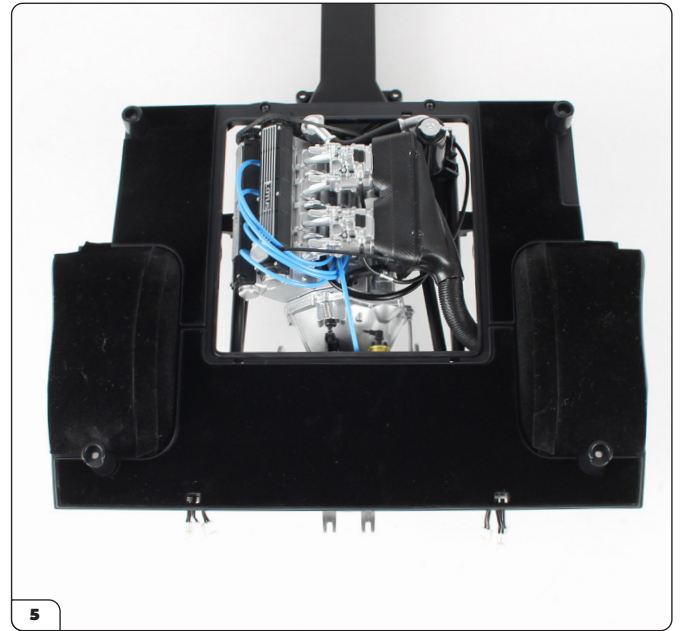


Place the sticker on the panel.

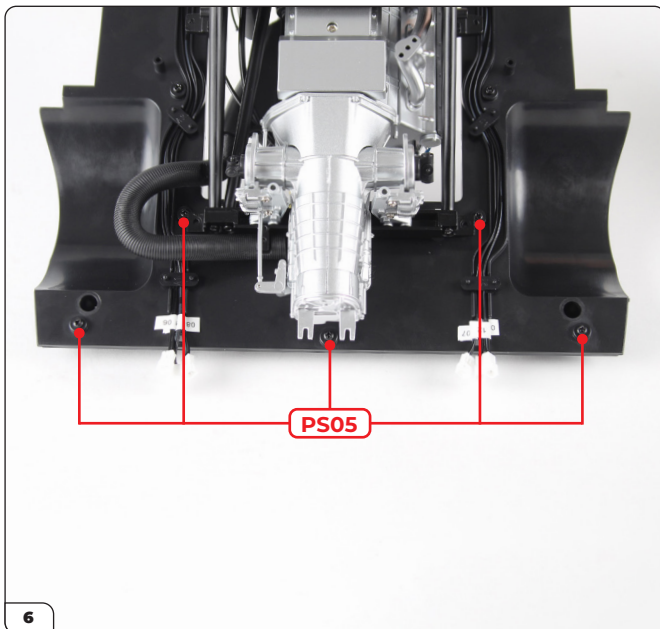
Stage 034: Fitting the Rear Floor Panel



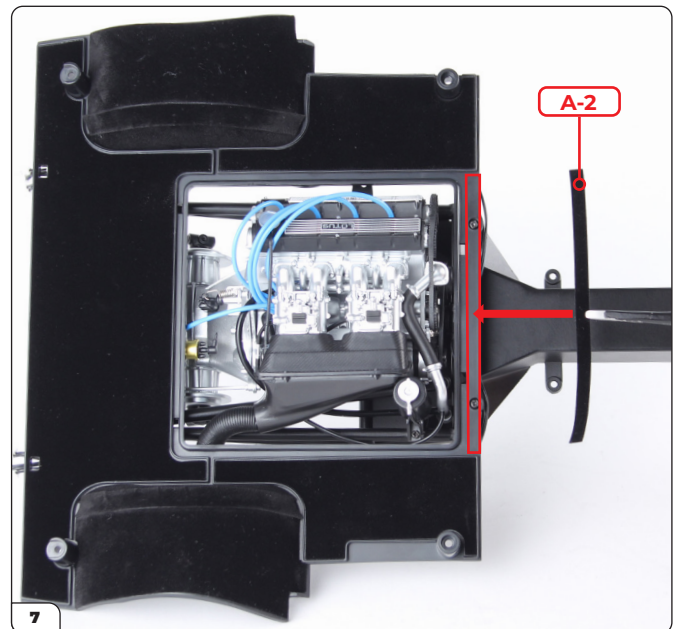
Align the rear panel with the rear floor.



Place the panel on the assembly.

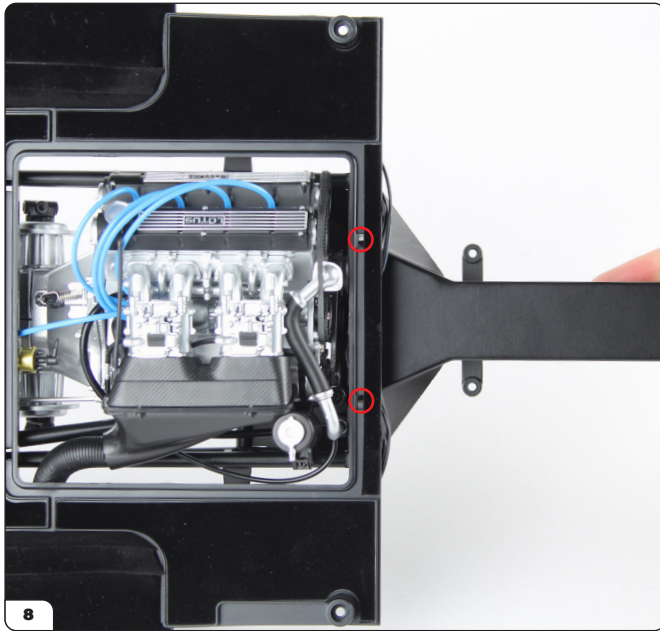


Secure from underneath with 5x PS05 screws.

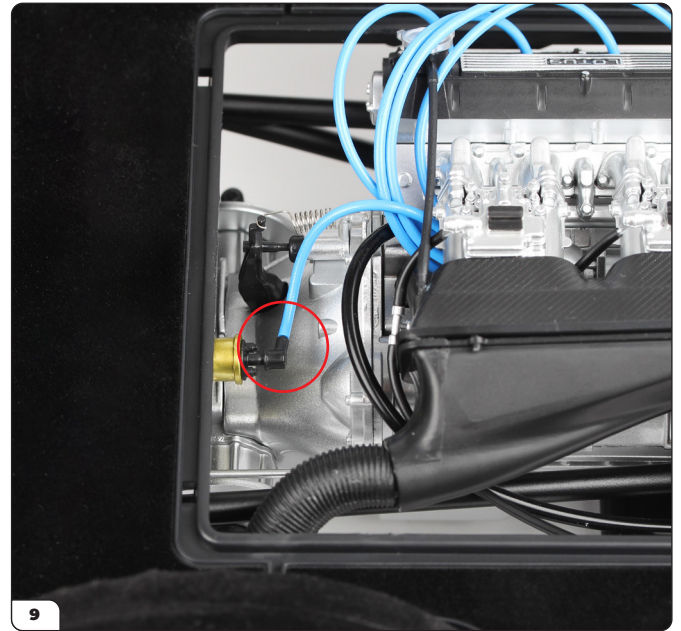


Peel sticker A-2 from the backing paper and align it with the visible screws between the left and right floor panels.

Stage 034: Fitting the Rear Floor Panel



Place the sticker over the screws, leaving the rectangular holes visible (circled).



Push the spark plug cable onto the coil connector.

