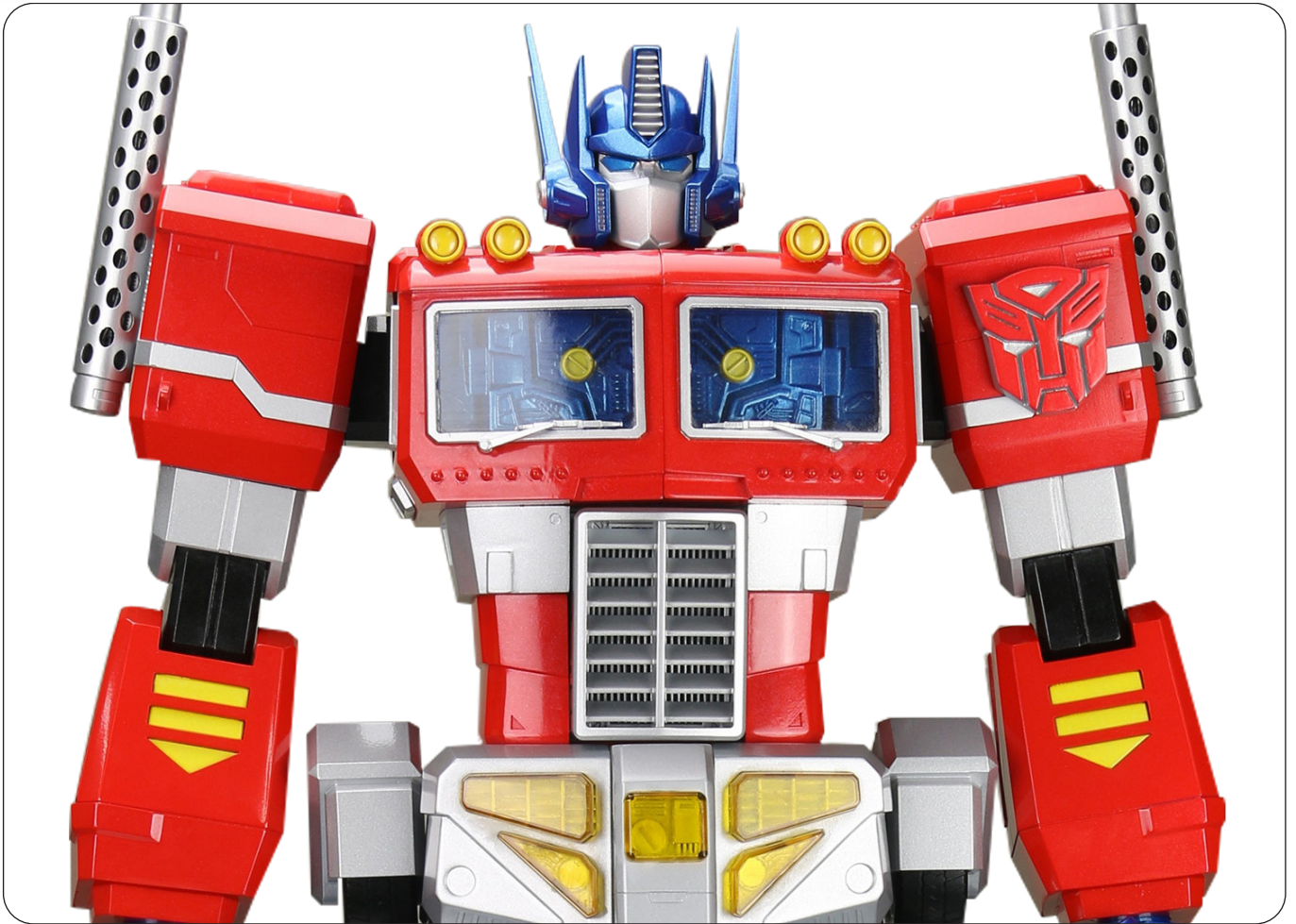


# OPTIMUS PRIME



## Display Base

BUILD INSTRUCTIONS

**AGORA**  
MODELS®

# Advice from the experts

---

 **Please keep ALL unused screws as they may be required in a later stage.**

Please make sure you don't mix up the screws. They look quite similar, but the threads do vary slightly. Using the wrong screws may damage the parts.

When securing parts together using multiple screws, fit each screw loosely to ensure all the parts are correctly aligned before gently tightening them firmly, but not overtight, in the order in which you placed them.

The screwdriver can be magnetized by stroking it with a magnet (fridge magnet, etc.) enabling it to hold the screws and make assembly easier.

If a screw is tight going into a metal part, do not force it as you may shear the head off. Remove it and put a tiny smear of Vaseline, soap or light oil on the thread. That will lubricate it and make it easier to drive home.

Some parts will require a little glue for assembly. Please apply glue sparingly and use a cocktail stick so that you don't use too much nor apply the glue too heavily. We recommend superglue gel or Extra Thin Liquid modeling glue. Where possible, parts should be test-fitted in place before gluing.



Look out for the glue symbol and apply glue to the red area indicated in the picture.

During the course of this build, you will receive many pieces that you will assemble immediately – following the instructions in the corresponding stage – and other pieces that you should store in the tray supplied, for use in future assembly stages.

Always protect the paint finish on components by placing a cutting mat, sheet of white paper or soft cloth on your work surface.

Left and Right! When building your Optimus Prime, the left or right hand side refers to each side as viewed by Optimus Prime. Optimus Prime's left arm is on the viewer's right.

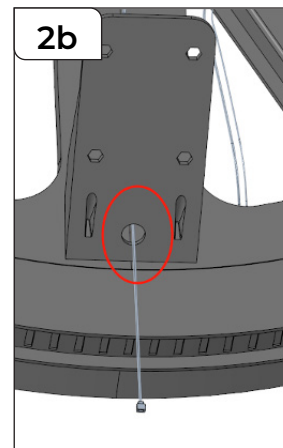
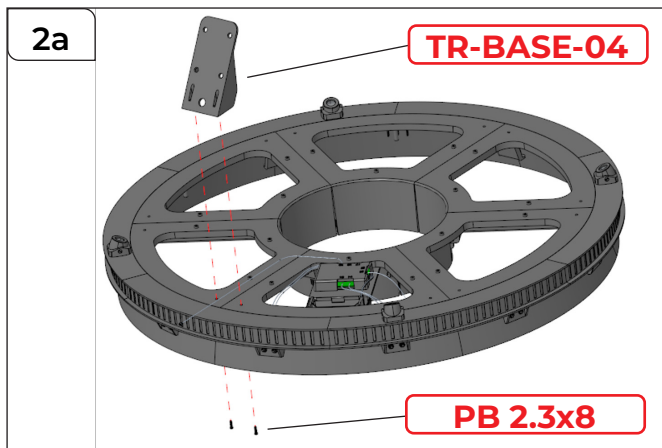
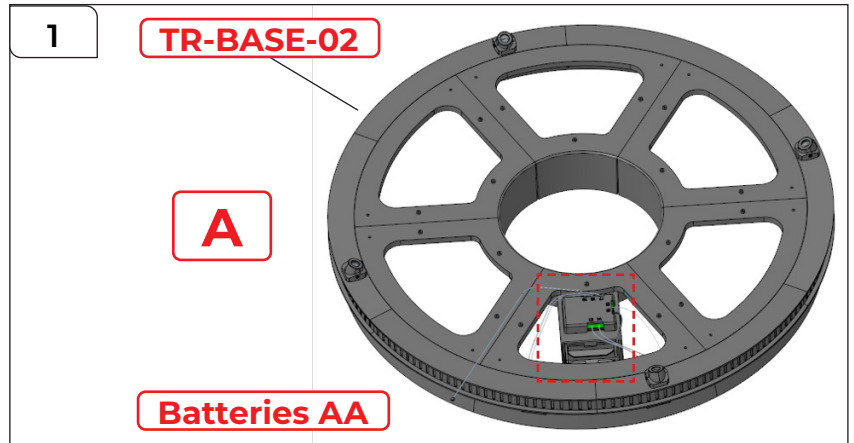


**WARNING:** Some parts are assembled using magnets. These magnets can cause serious injury if they are swallowed. Keep away from children. If you suspect a magnet has been swallowed, seek medical help straight away.

# Assembling the Display Base

## STEP 1

Take TR-BASE-02 and insert 4x AA (1.5V) batteries into the battery compartment.



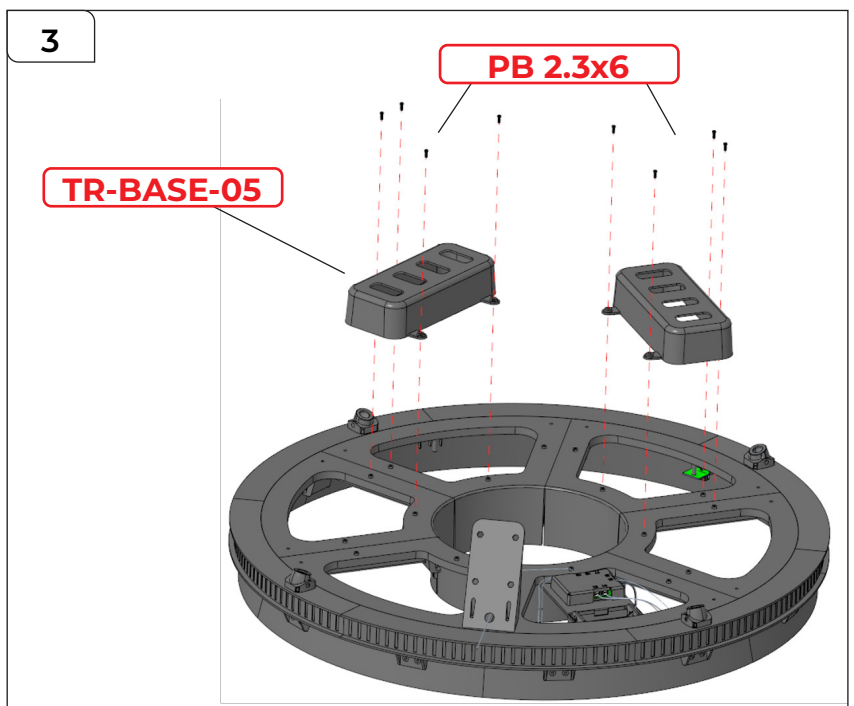
## STEP 2

Take TR-BASE-04 and secure it to assembly A using 2x PB 2.3x8 mm screws.

Push the cable through the hole as shown in 2b.

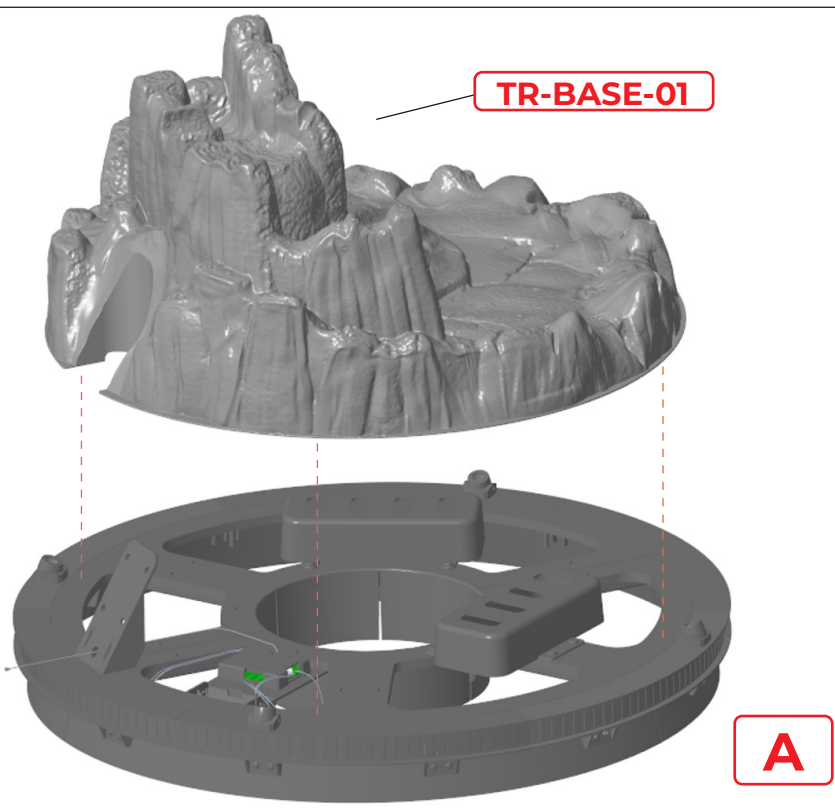
## STEP 3

Place the parts TR-BASE-05 onto assembly A and secure using 8x PB 2.3x6 mm screws.



# Assembling the Display Base

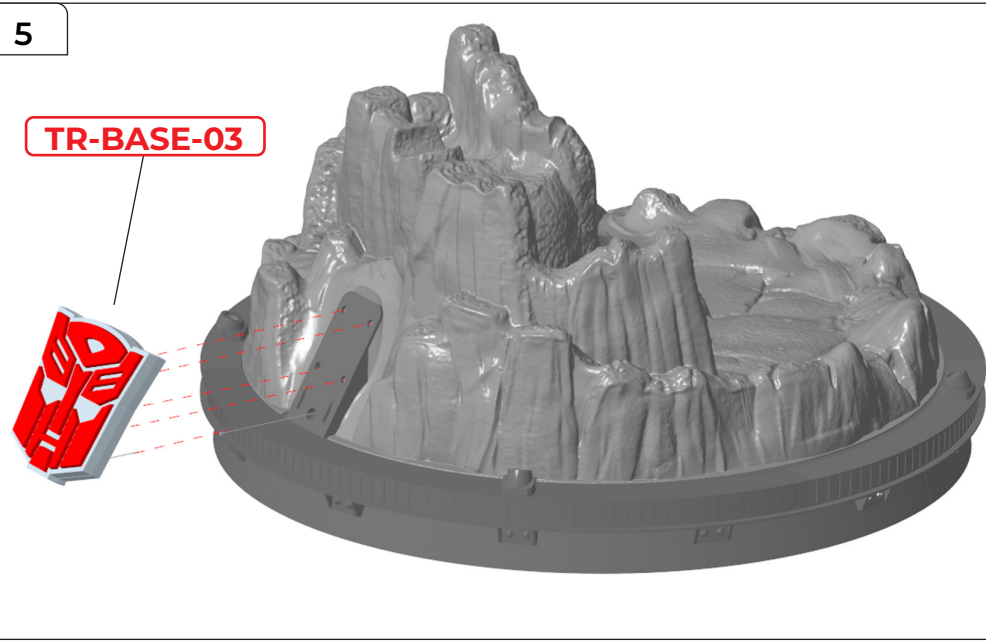
4



## STEP 4

Place TR-BASE-01 onto assembly A.

5



## STEP 5

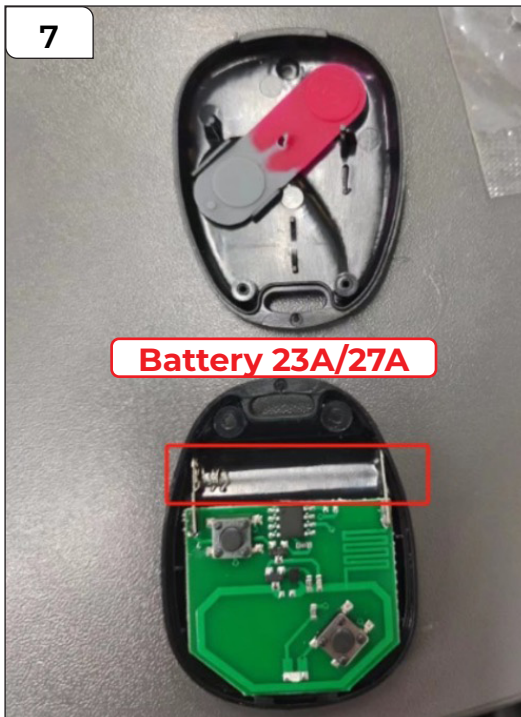
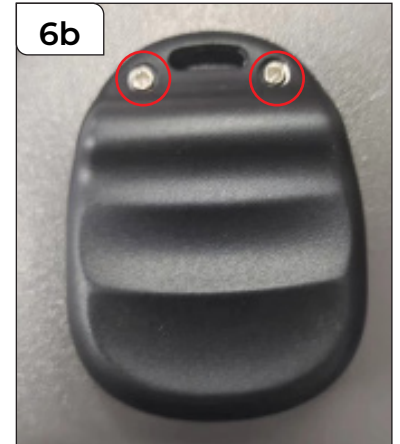
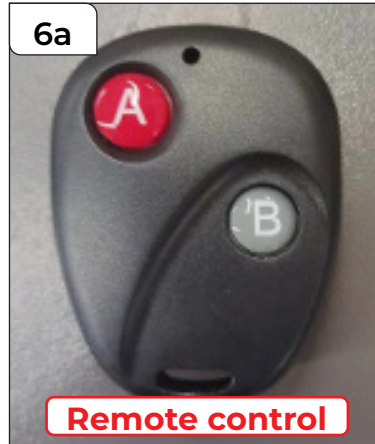
Connect the cable to TR-BASE-03 then attach the part onto assembly A.



# Assembling the Display Base

## STEP 6

Take the remote control and remove the two screws from the back.

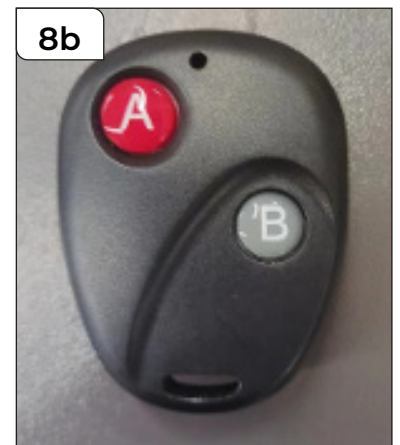


## STEP 7

Remove the back cover from the remote control. Install a 23A or 27A (12V) battery into the compartment.

## STEP 8

Place the back cover back onto the remote control and secure using the two screws.



# Assembling the Display Base

BASE COMPLETE



Slide the switch to "ON" and use the remote control to see your base light up.