

THE SPY WHO LOVED ME™

LOTUS
esprit



Pack 08

BUILD INSTRUCTIONS

**STAGE 058: ASSEMBLING
THE FRONT PANEL**

**STAGE 059: ASSEMBLING
THE TORPEDO TUBES**

**STAGE 060: ATTACHING
THE BONNET AND
ASSEMBLING THE RIGHT
HEADLIGHT**

**STAGE 061: ATTACHING THE
RIGHT HEADLIGHT**

**STAGE 062: ASSEMBLING
THE LEFT HEADLIGHT**

**STAGE 063: ATTACHING
THE LEFT HEADLIGHT**

**STAGE 064: ASSEMBLING
THE TORPEDO LAUNCHER**

**STAGE 065: ATTACHING
THE TORPEDO LAUNCHER
AND FRONT BUMPER**

**STAGE 066: ATTACHING
THE FRONT BODY**

THE SPY WHO LOVED ME © Danjaq, LLC and Metro-Goldwyn-Mayer Studios Inc. THE SPY WHO LOVED ME, *007*™ and related James Bond Indicia © 1962-2024 Danjaq, LLC and Metro-Goldwyn-Mayer Studios Inc. THE SPY WHO LOVED ME, *007*™ and related James Bond Trademarks are trademarks of Danjaq, LLC. All Rights Reserved.
Produced under licence from Group Lotus LTD. LOTUS, the Lotus Roundel, car names and all associated logos and distinctive designs are trade marks of Group Lotus LTD.

Advice from the experts

Spare screws are included with each part. Occasionally, you may be instructed to keep spare or unused screws for a later stage. Keep these spares in a safe place and label them correctly.

Please make sure you don't mix up the screws. They look quite similar, but the threads do vary slightly. Using the wrong screws may damage the parts.

When securing parts together using multiple screws, fit each screw loosely to ensure all the parts are correctly aligned before gently tightening them firmly, but not overtight, in the order in which you placed them.

The screwdriver can be magnetized by stroking it with a magnet (fridge magnet, etc.) enabling it to hold the screws and make assembly easier.

If a screw is tight going into a metal part, do not force it as you may shear the head off. Remove it and put a tiny smear of Vaseline, soap or light oil on the thread. That will lubricate it and make it easier to drive home.

During the course of this build, you will receive many pieces that you will assemble immediately – following the instructions in the corresponding stage – and other pieces that you should store safely to one side, for use in future assembly stages.

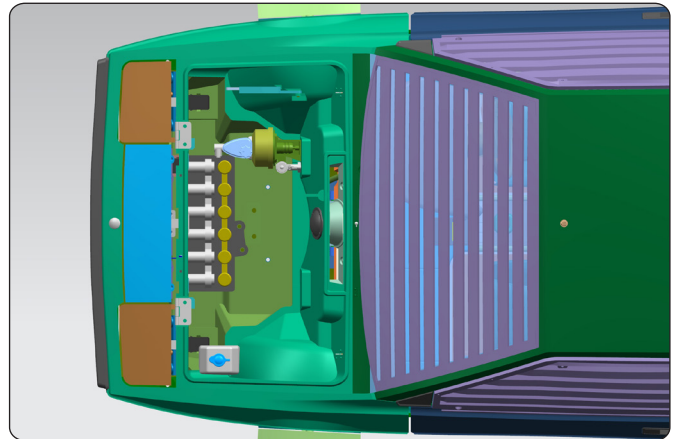
Left and Right! When building your *The Spy Who Loved Me* Lotus Esprit, the left- or right-hand side refers to that side as if you are sitting in the car.



WARNING: Some parts are assembled using magnets. These magnets can cause serious injury if they are swallowed. Keep away from children. If you suspect a magnet has been swallowed, seek medical help straight away.

Stage 058: Assembling the Front Panel

In this stage you will assemble the front panel.

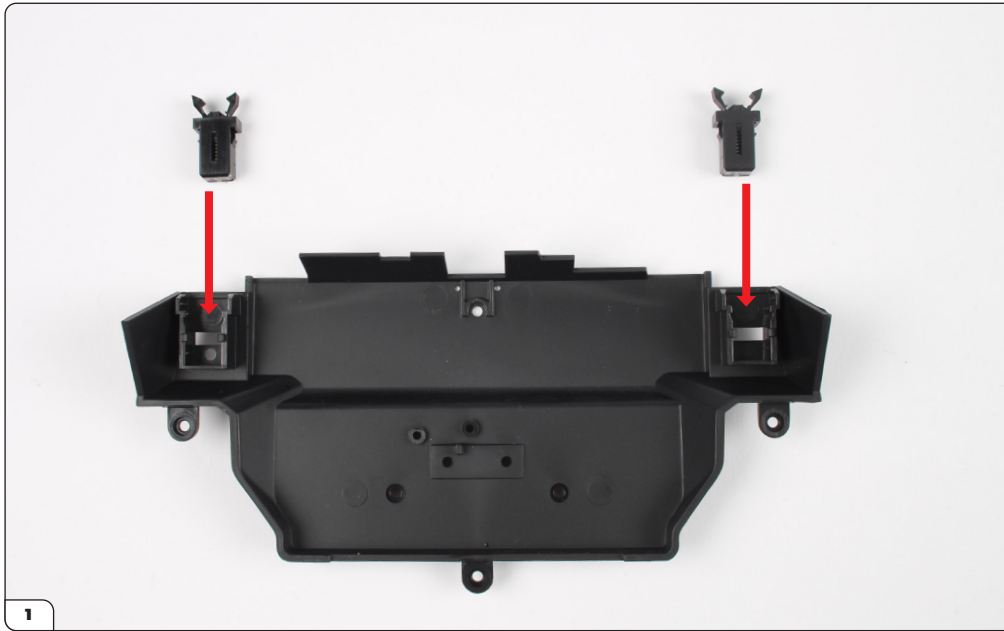


STAGE 058 PARTS LIST

Name
58-A Front panel
59-B Mount
58-C Clamp x2
PS05 screws x3



Stage 058: Assembling the Front Panel



Align the two clamps (58-C) with the front panel (58-A).



Press the two clamps firmly into the front panel.

Stage 058: Assembling the Front Panel

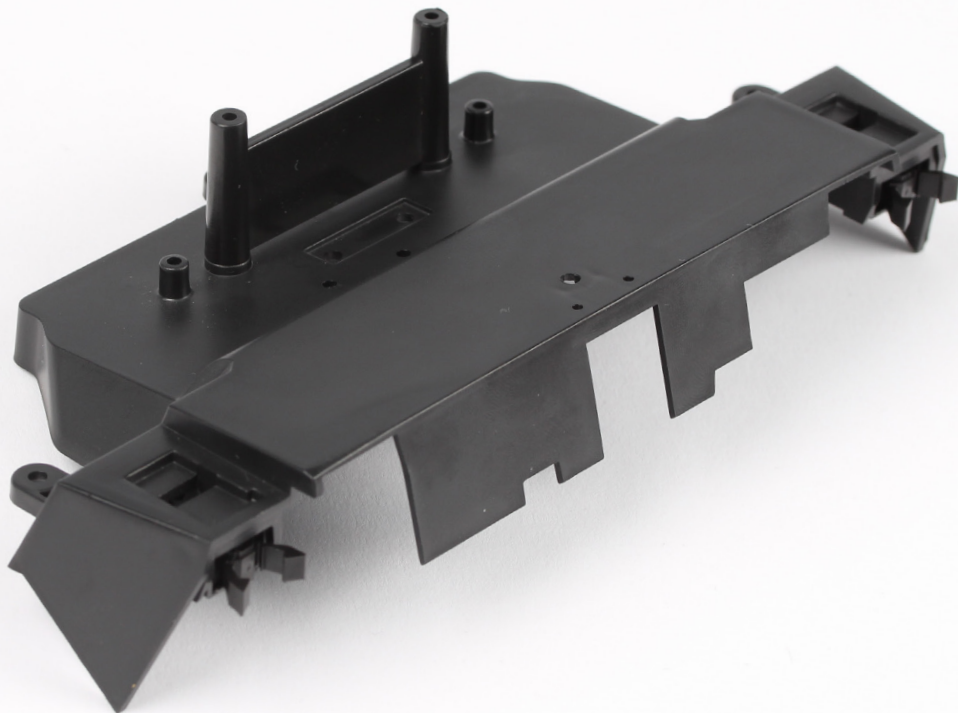


Turn the front panel over and place the mount (58-B) onto the screw holes.



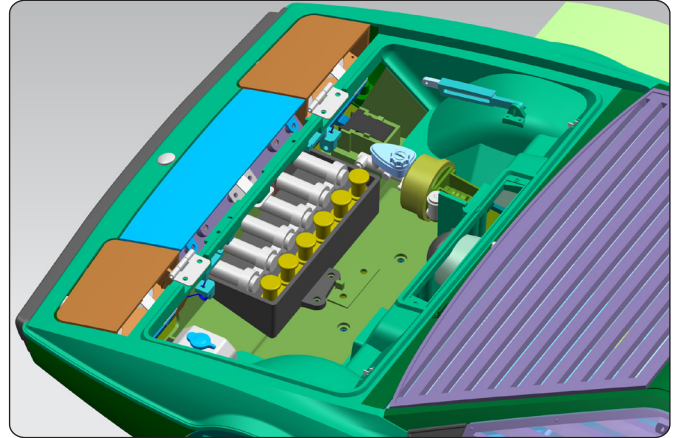
Screw the mount to the front panel with 2x PS05 screws.

STAGE COMPLETE



Stage 059: Assembling the Torpedo Tubes

In this stage you will attach the torpedo tubes and compressors to the panel.

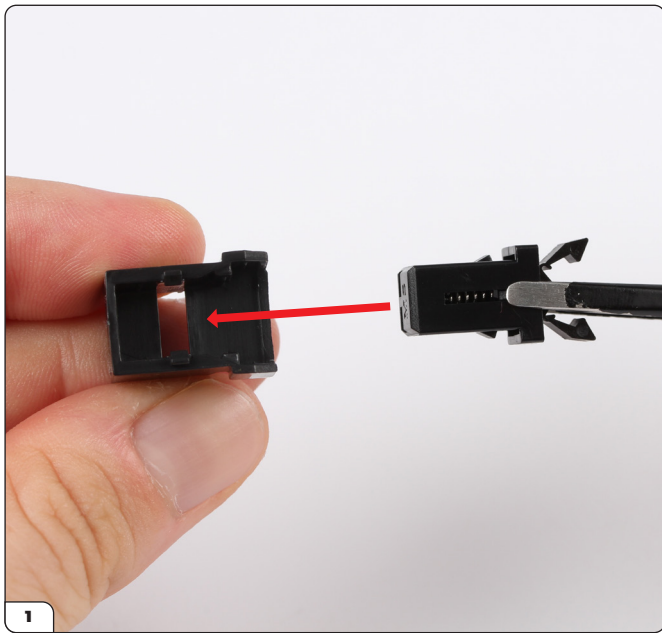


STAGE 059 PARTS LIST

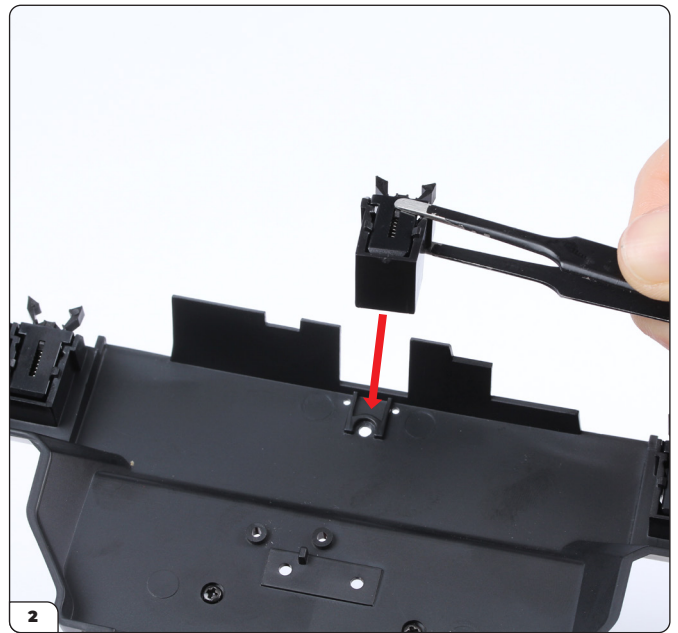
Name
59-A Torpedo panel
59-B Torpedo tubes
59-C Torpedo compressors
59-D Clamp mount
59-E Clamp
PS05 screws x4
PS14 screws x5



Stage 059: Assembling the Torpedo Tubes



Press the clamp (59-E) into the clamp mount (59-D).

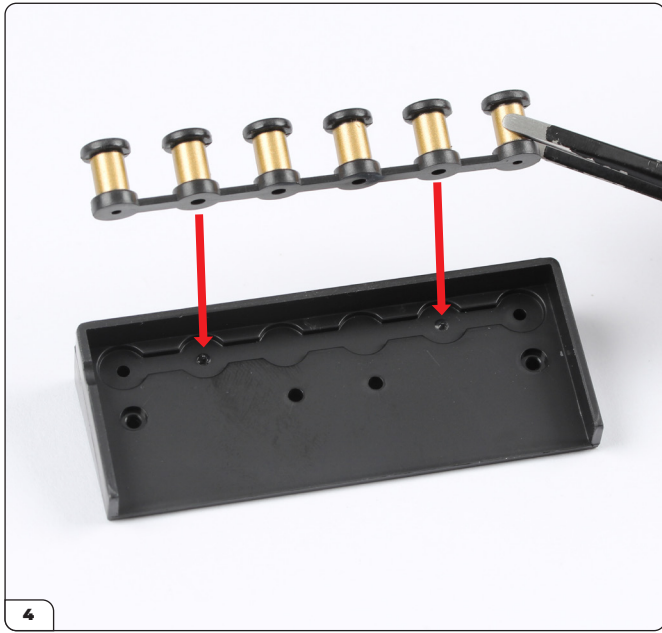


Place the clamp mount onto the front panel (stage 058).



Screw the clamp mount to the front panel with a PS05 screw.

Stage 059: Assembling the Torpedo Tubes



Place the torpedo compressors (59-C) onto the torpedo panel (59-A).



Screw the torpedo compressors to the panel with 2x PS14 screws.



Push the torpedo tubes (59-B) into the torpedo panel.



Screw the torpedo tubes to the panel with 2x PS14 screws.

Stage 059: Assembling the Torpedo Tubes



Place the torpedo panel onto the front panel (stage 058).



Screw the torpedo panel to the front panel with 2x PS05 screws.

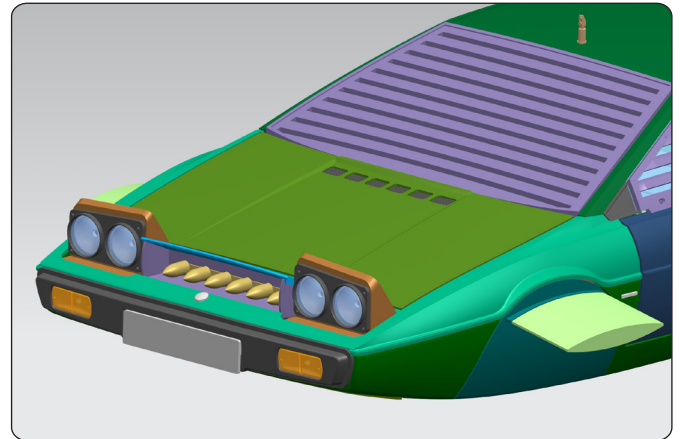
Stage 059: Assembling the Torpedo Tubes

STAGE COMPLETE



Stage 060: Attaching the Bonnet and Assembling the Right Headlight

In this stage you will attach the bonnet and start to assemble the right headlight.



STAGE 060 PARTS LIST

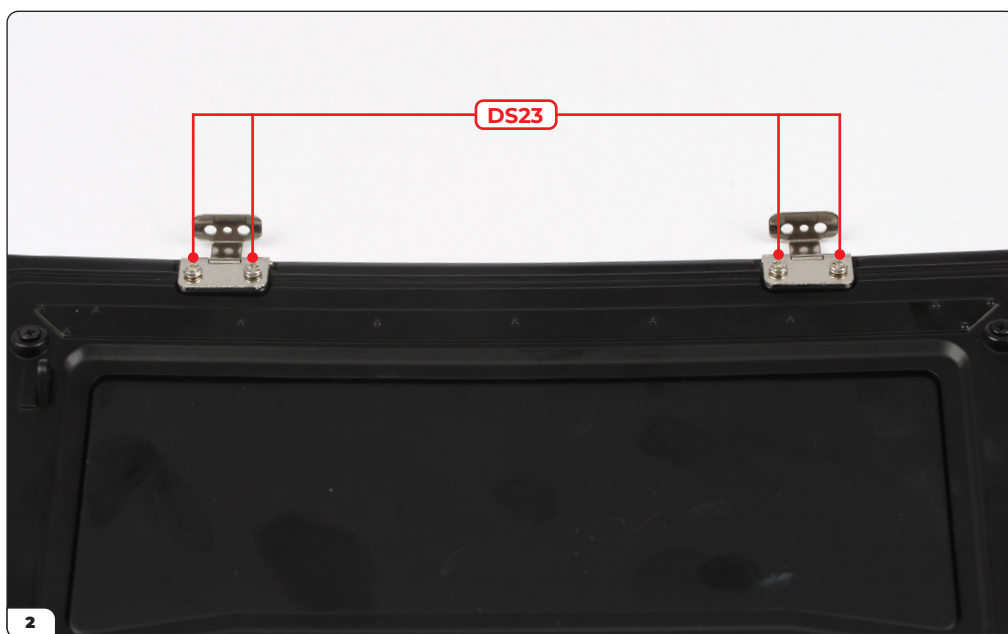
Name
60-A Right headlight reflectors
60-B Right headlight housing
60-C Bonnet hinge x2
60-D Right headlight LED
DS23 screws x9
DS29 screws x2



Stage 060: Attaching the Bonnet and Assembling the Right Headlight

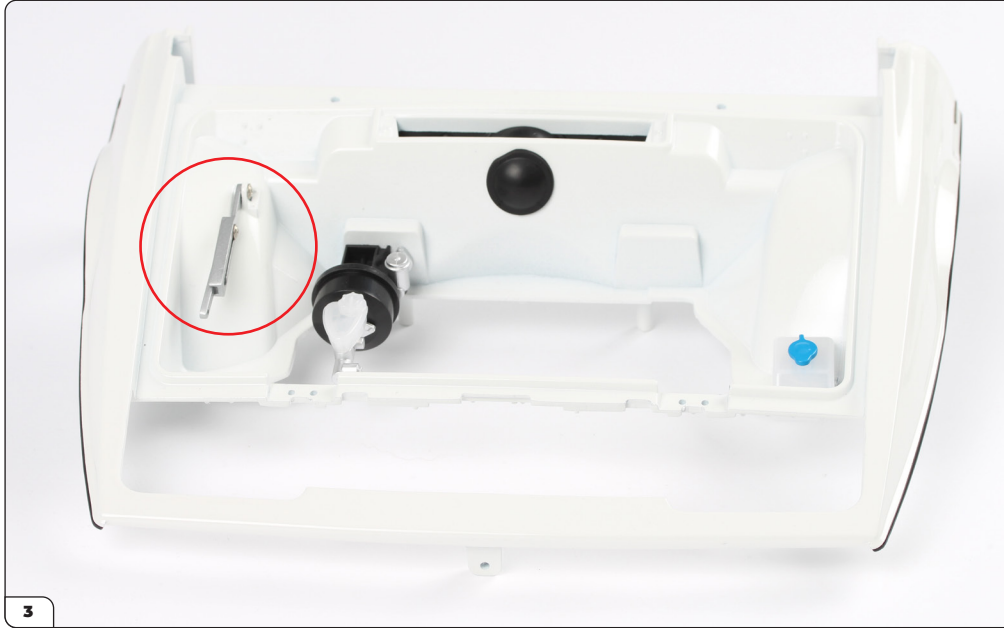


Place the bonnet hinges (60-C) onto the bonnet (stage 001). Make sure to place them as shown in image 1b.



Screw the hinges to the bonnet using 4x DS23 screws.

Stage 060: Attaching the Bonnet and Assembling the Right Headlight

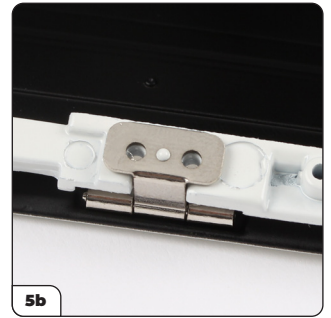
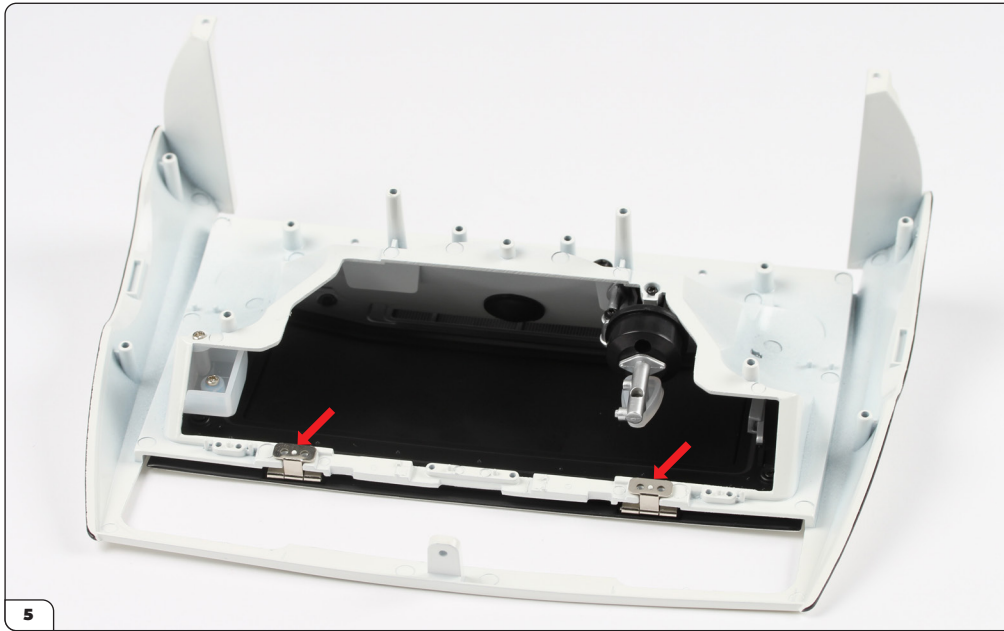


Place the front body (stage 057) on your work surface. Make sure the bonnet support strut is down (circled).

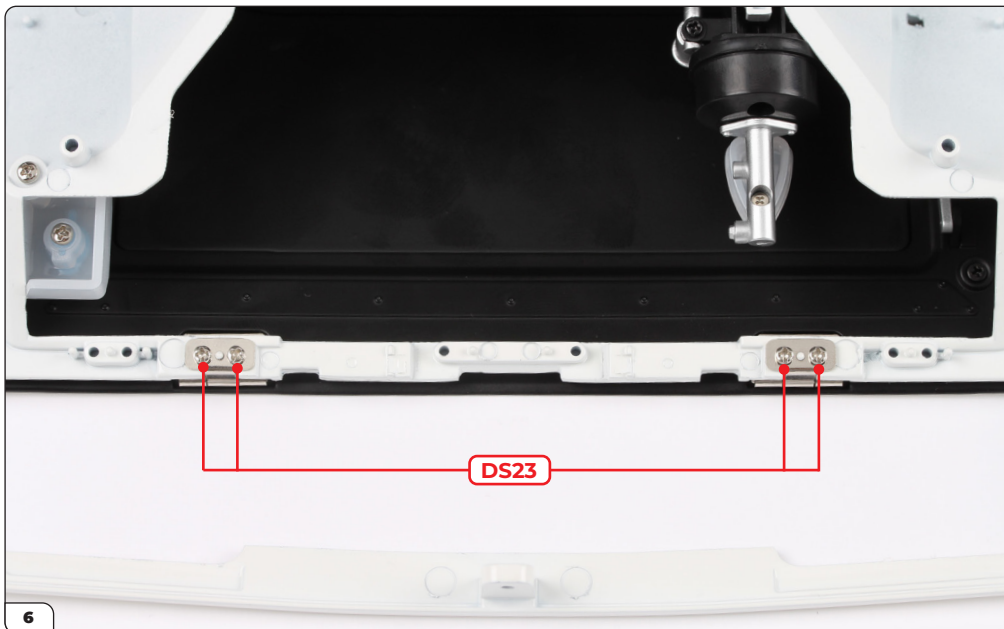


Place the bonnet onto the front body. Leave the hinges loose for now.

Stage 060: Attaching the Bonnet and Assembling the Right Headlight



Turn the assembly over and press the hinges onto the pins.



Screw the hinges to the front body with 4x DS23 screws.

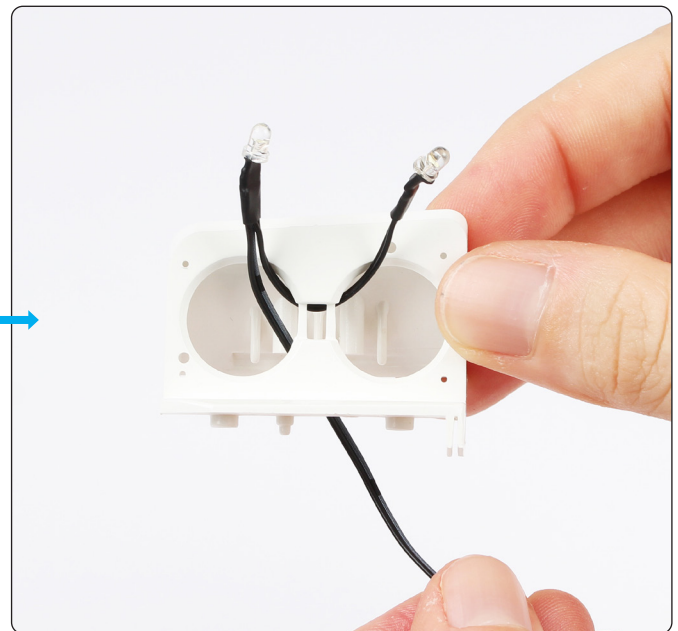
Stage 060: Attaching the Bonnet and Assembling the Right Headlight



Open the bonnet. Place the bonnet support strut behind the screw hole.

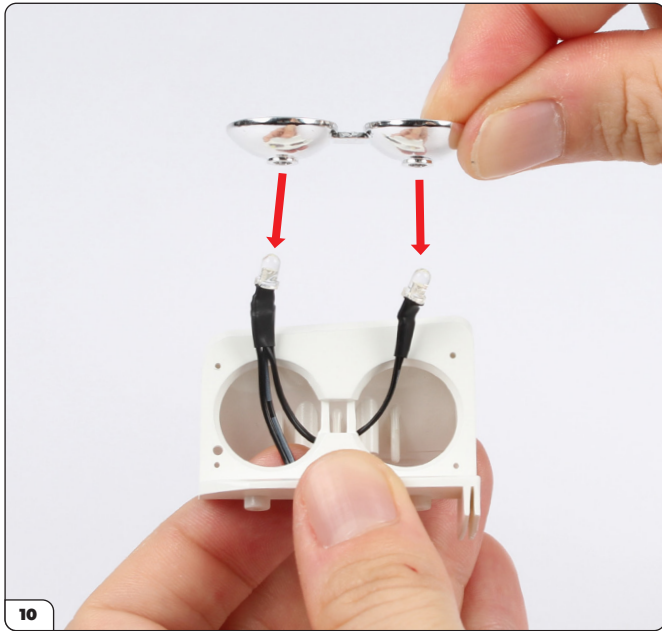


Screw the bonnet support strut to the bonnet with a DS29 screw.



Place the right headlight LEDs (60-D) through the right headlight housing (60-B). Make sure the parts are oriented as shown.

Stage 060: Attaching the Bonnet and Assembling the Right Headlight



Push the headlight reflectors (60-A) onto the LED bulbs.



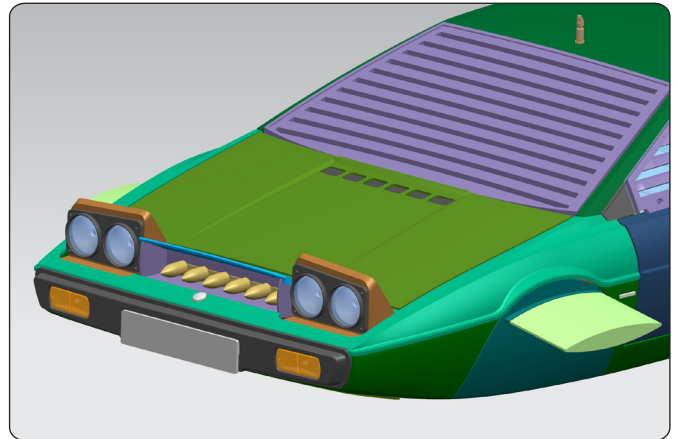
The reflectors will be attached in the next stage. They can be left loose for now.

STAGE COMPLETE



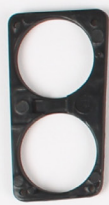
Stage 061: Attaching the Right Headlight

In this stage you will finish assembling the right headlight and attach it to the front body.



STAGE 061 PARTS LIST

Name	Name
61-A Right headlight frame	PS01 screws x3
61-B Right headlight lenses	PS05 screws x3
61-C Stopper	PS12 screws x5
61-D Hinge	DS23 screws x3



61-A



61-B



61-C



61-D



PS01 x3



PS05 x3



PS12 x5

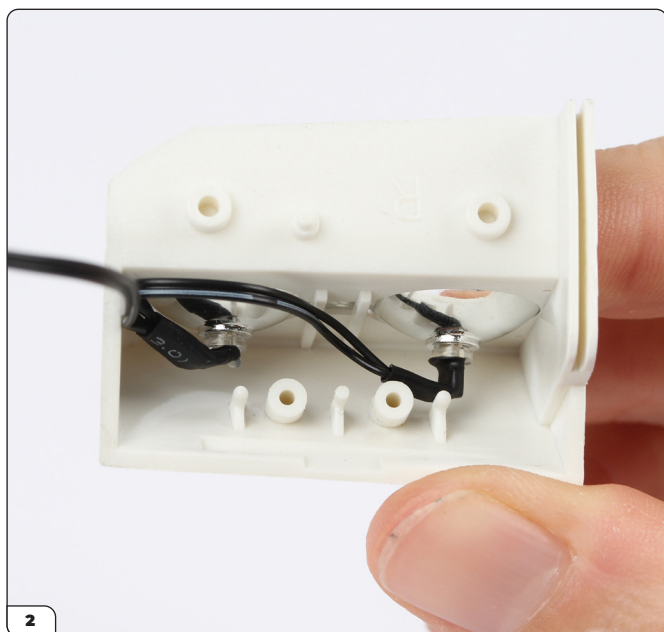


DS23 x3

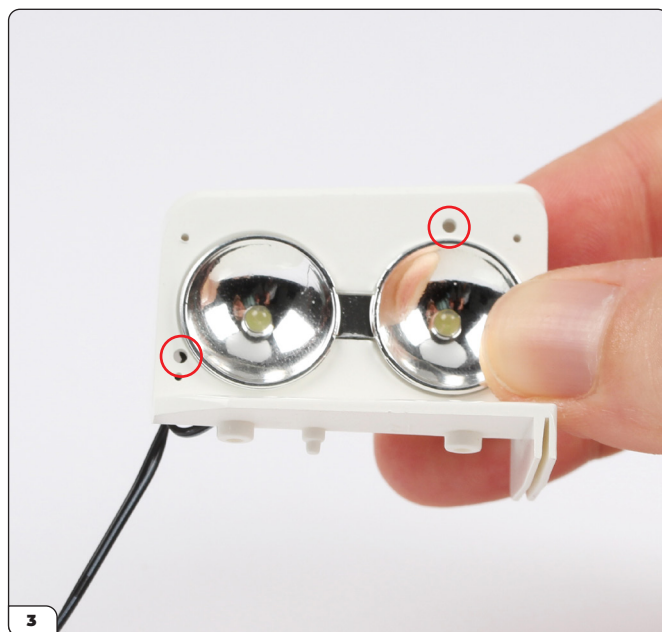
Stage 061: Attaching the Right Headlight



Place the right headlight lenses (61-B) onto the right headlight frame (61-A).



Carefully bend the wires from the right headlight (stage 060).



Push the reflectors in place. Note the two holes (circled) for fitting the frame in the next step.

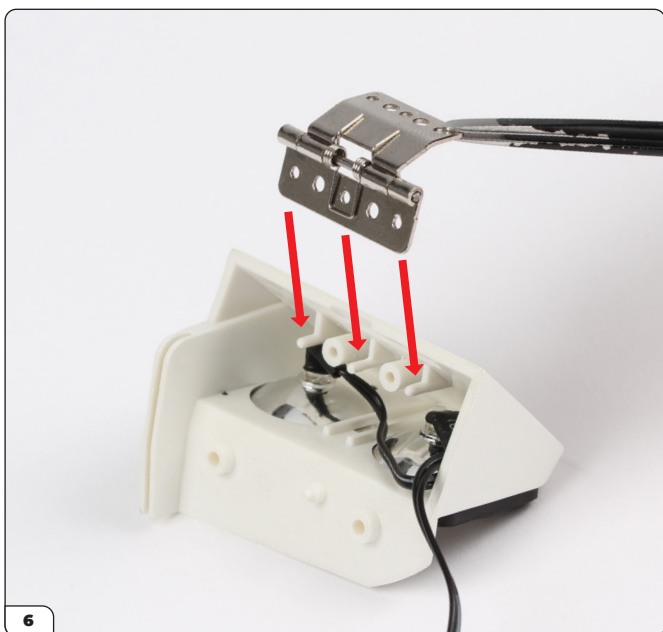
Stage 061: Attaching the Right Headlight



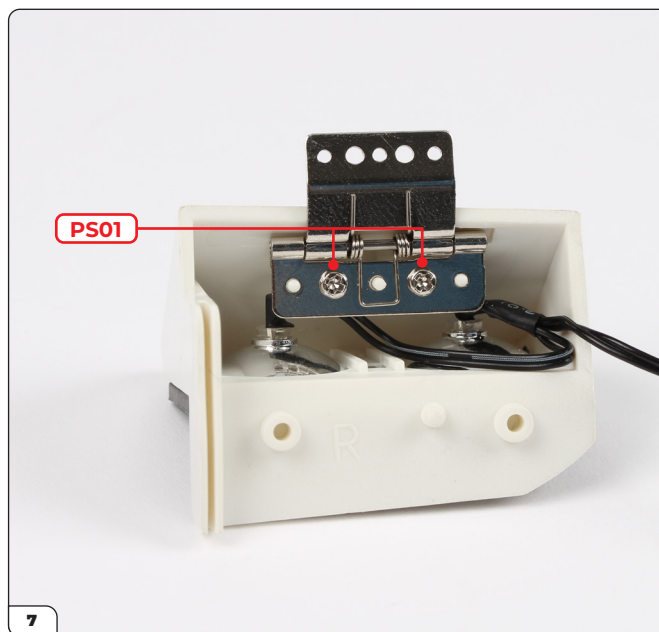
Press the frame into the headlight housing.



Screw the frame to the housing using 4x PS12 screws.

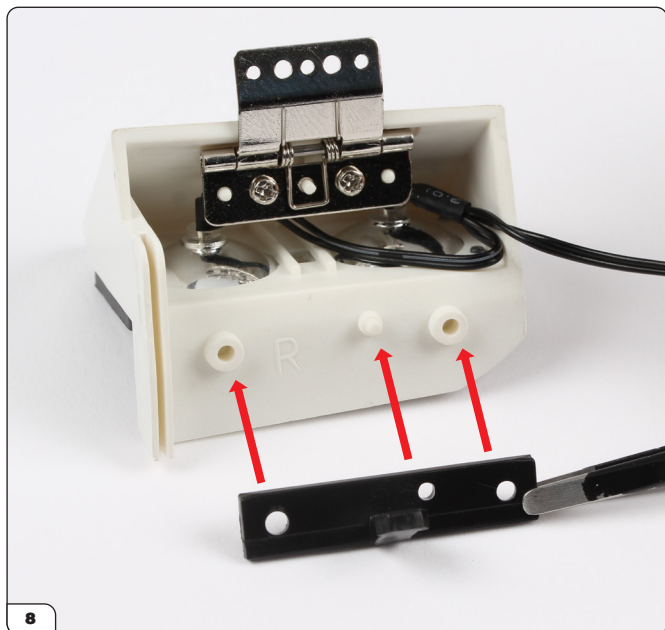


Align the hinge (61-D) with the housing as shown.



Place the hinge and screw it using 2x PS01 screws. Make sure the screws are tightened fully.

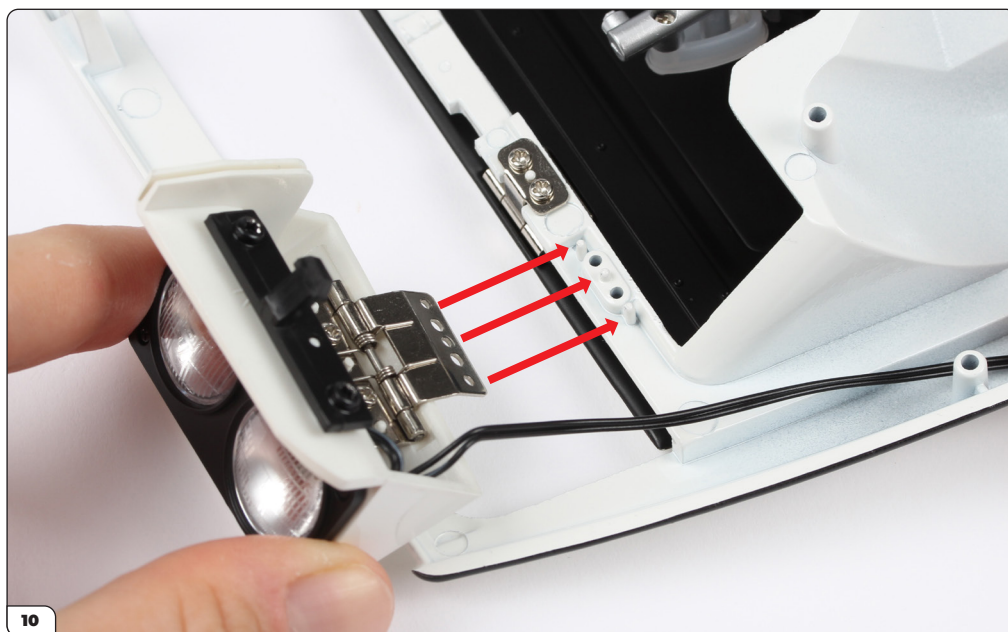
Stage 061: Attaching the Right Headlight



Place the stopper (61-C) onto the housing.

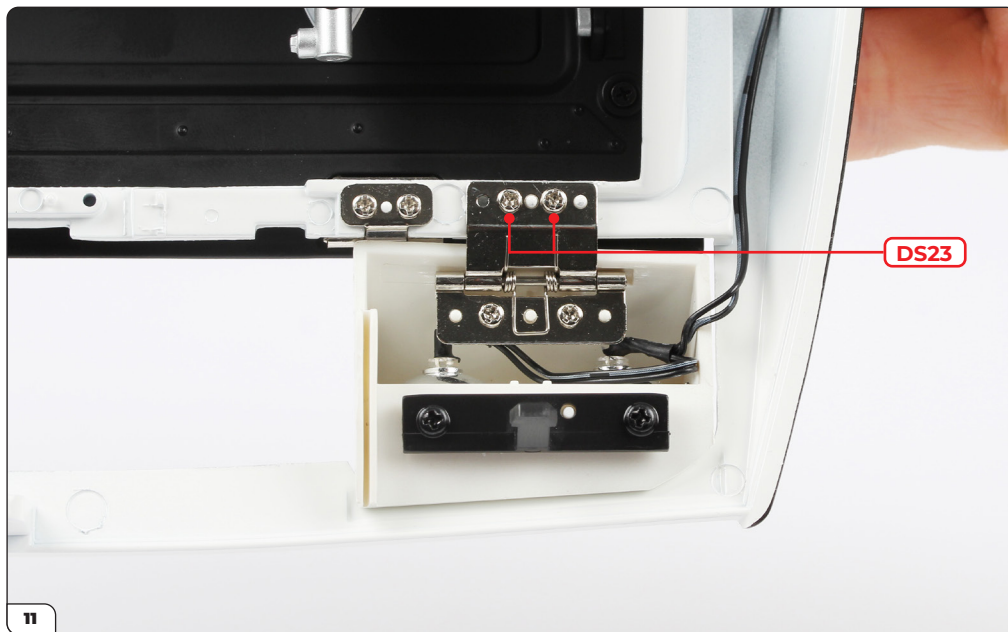


Screw the stopper to the housing with 2x PS05 screws.



Place the front body upside down on your work surface. Place the hinge onto the mount. You may need to compress the hinge to get it in place.

Stage 061: Attaching the Right Headlight

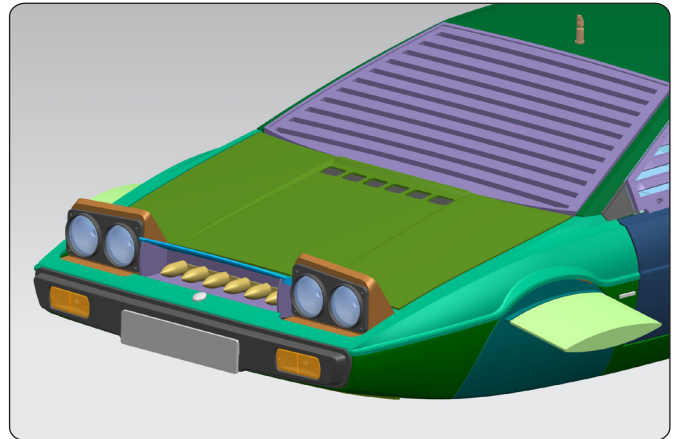


Screw the hinge firmly to the front body with 2x DS23 screws.



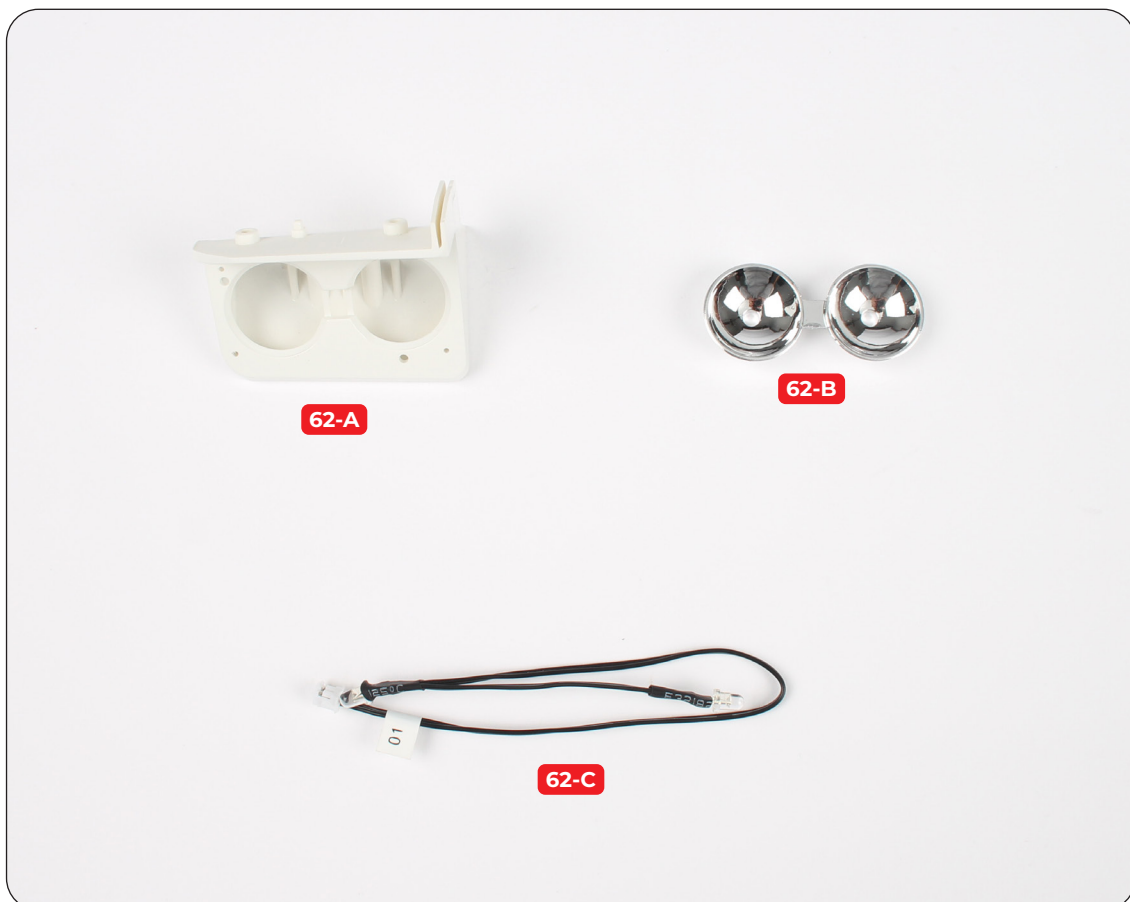
Stage 062: Assembling the Left Headlight

In this stage you will start to assemble the left headlight.

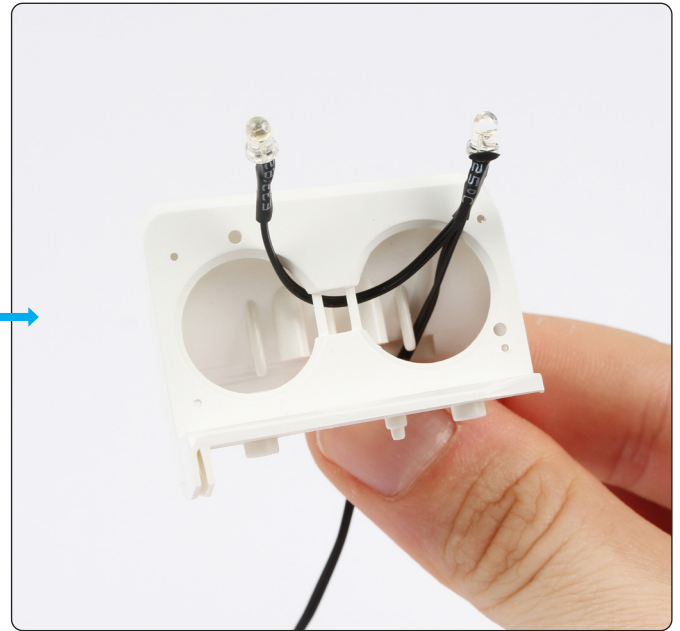
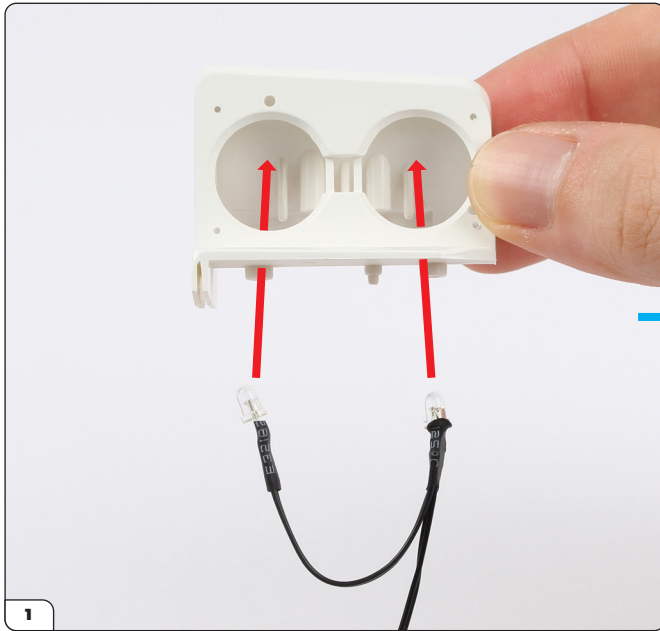


STAGE 062 PARTS LIST

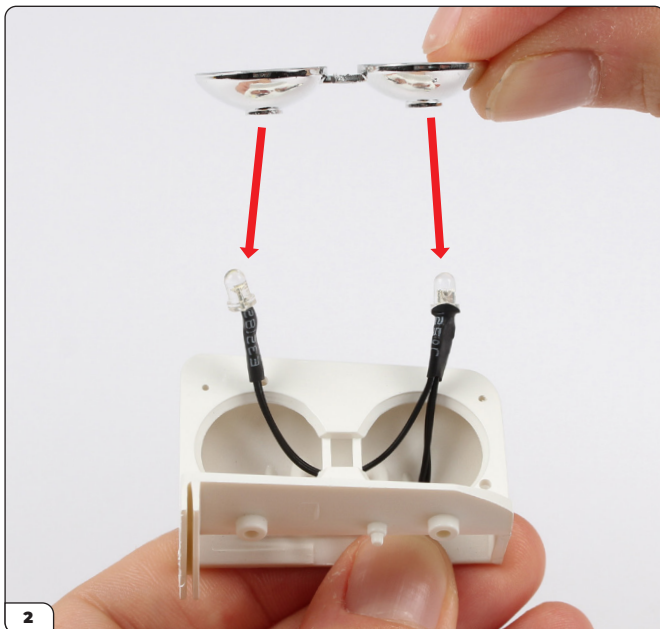
Name
62-A Left headlight housing
62-B Left headlight reflectors
62-C Left headlight LED



Stage 062: Assembling the Left Headlight



Place the left headlight LEDs (62-C) through the left headlight housing (62-A). Make sure the parts are oriented as shown.



Push the headlight reflectors (62-B) onto the LED bulbs.

The reflectors will be attached in the next stage. They can be left loose for now.

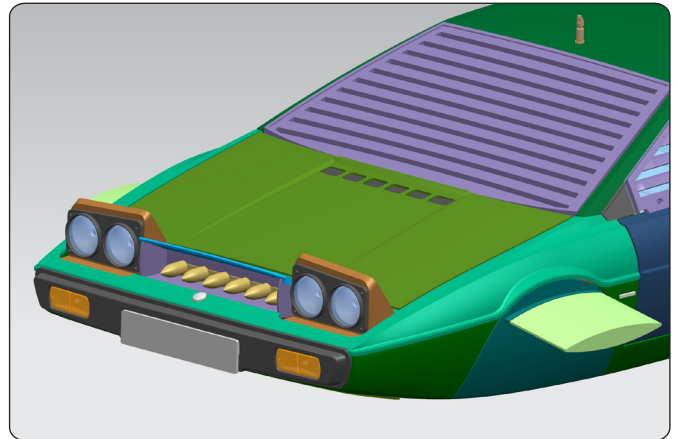
Stage 062: Assembling the Left Headlight

STAGE COMPLETE



Stage 063: Attaching the Left Headlight

In this stage you will finish assembling the left headlight and attach it to the front body.



STAGE 063 PARTS LIST

Name	Name
63-A Left headlight frame	PS01 screws x3
63-B Left headlight lenses	PS05 screws x3
63-C Stopper	PS12 screws x5
63-D Hinge	DS23 screws x3



63-A



63-B



63-C



63-D



PS01 x3



PS05 x3



PS12 x5

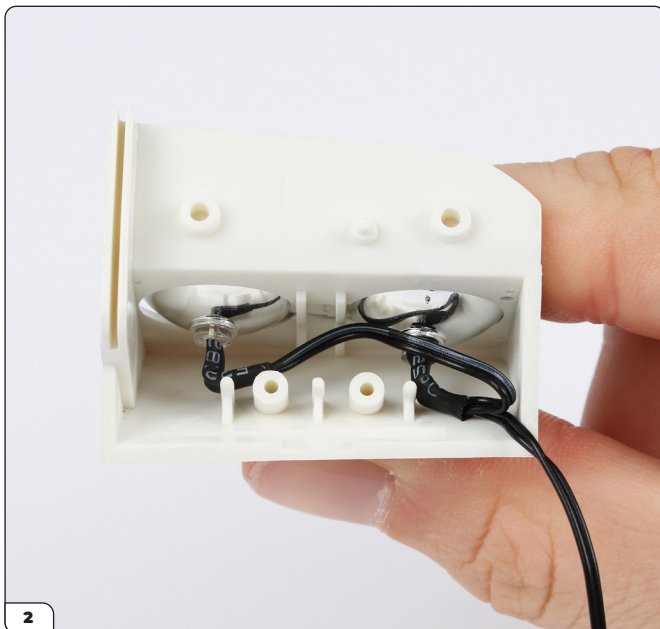


DS23 x3

Stage 063: Attaching the Left Headlight



Place the left headlight lenses (63-B) onto the left headlight frame (63-A).



Carefully bend the wires from the left headlight (stage 062).

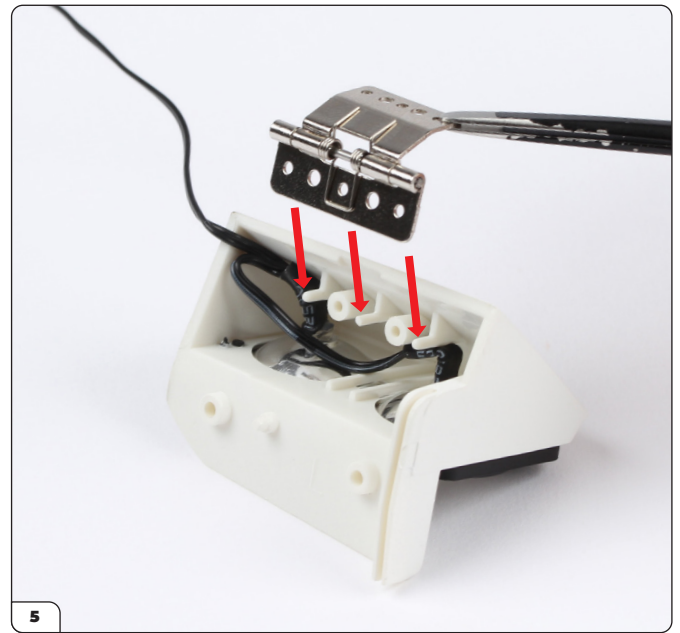


Press the frame over the reflectors and into the headlight housing.

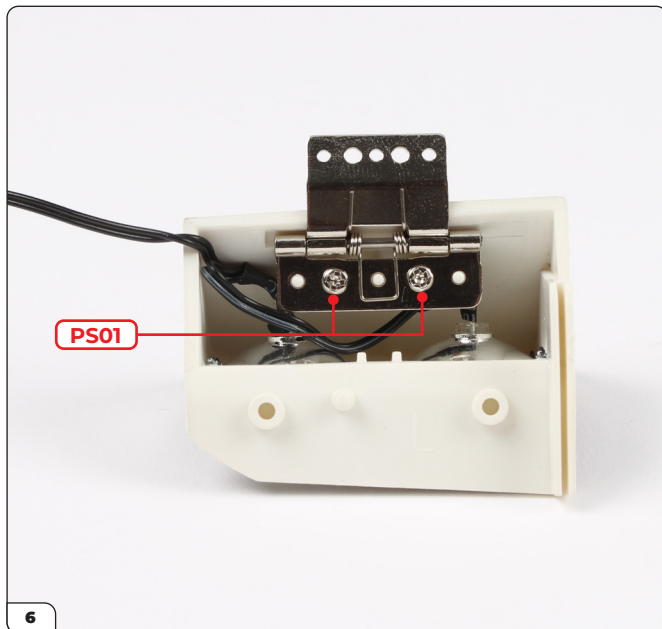
Stage 063: Attaching the Left Headlight



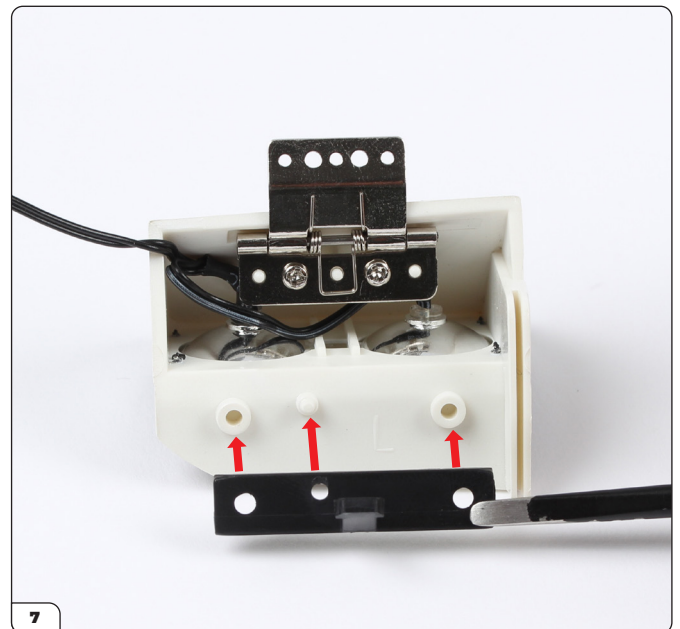
Screw the frame to the housing using 4x PS12 screws.



Align the hinge (63-D) with the housing as shown.

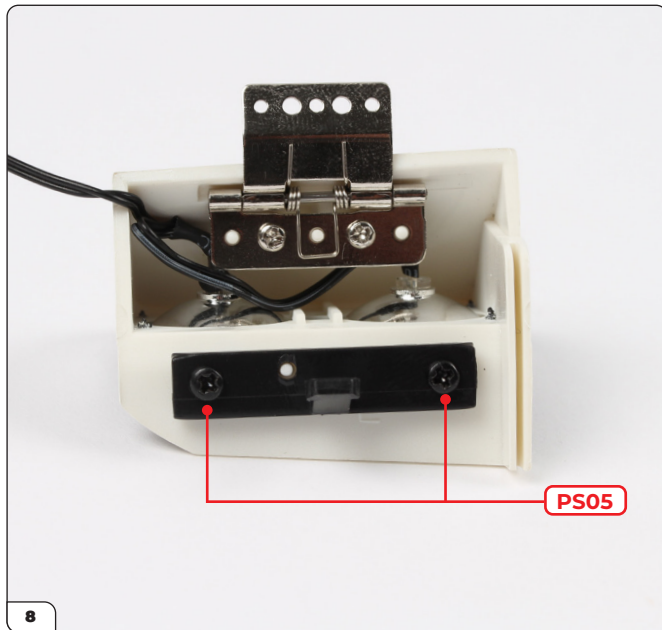


Place the hinge and screw it using 2x PS01 screws. Make sure the screws are tightened fully.



Place the stopper (63-C) onto the housing.

Stage 063: Attaching the Left Headlight



Screw the stopper to the housing with 2x PS05 screws.



Place the front body upside down and position the hinge onto the mount. You may need to compress the hinge to get it in place.



Screw the hinge firmly to the front body with 2x DS23 screws.

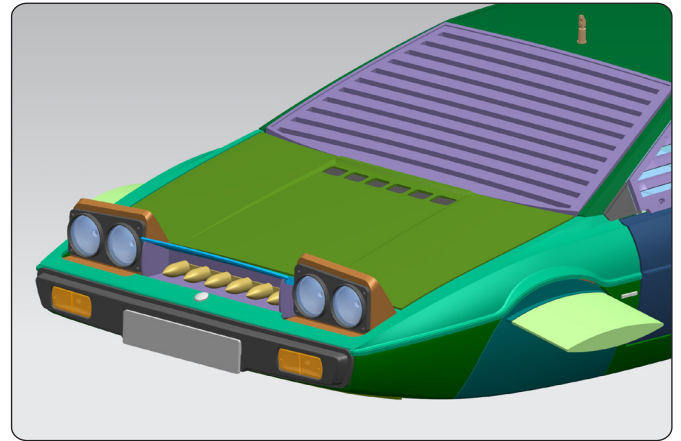
Stage 063: Attaching the Left Headlight

STAGE COMPLETE



Stage 064: Assembling the Torpedo Launcher

In this stage you will assemble the torpedo launcher.

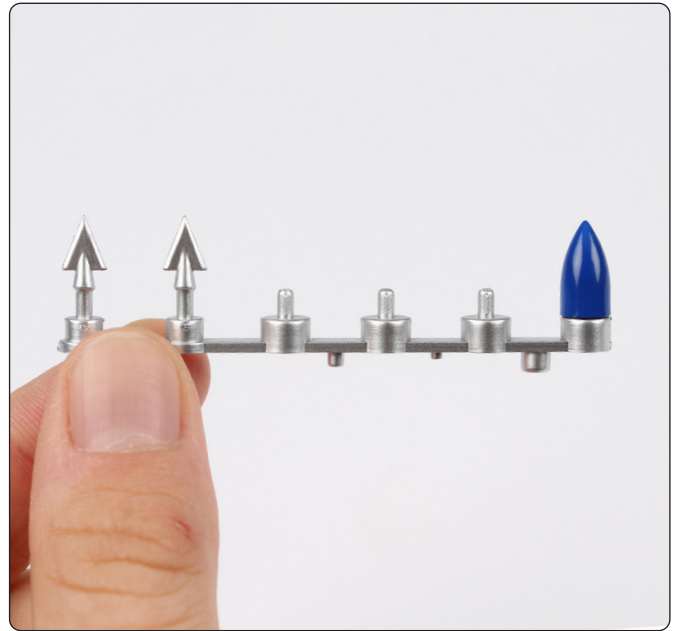
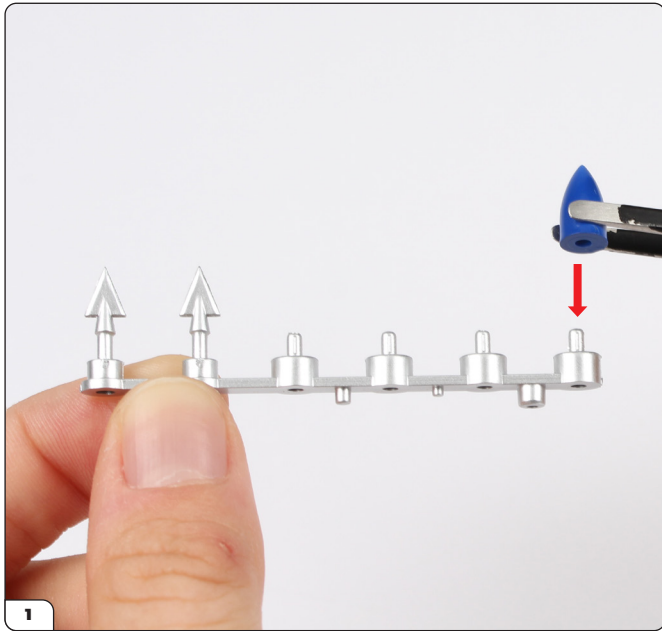


STAGE 064 PARTS LIST

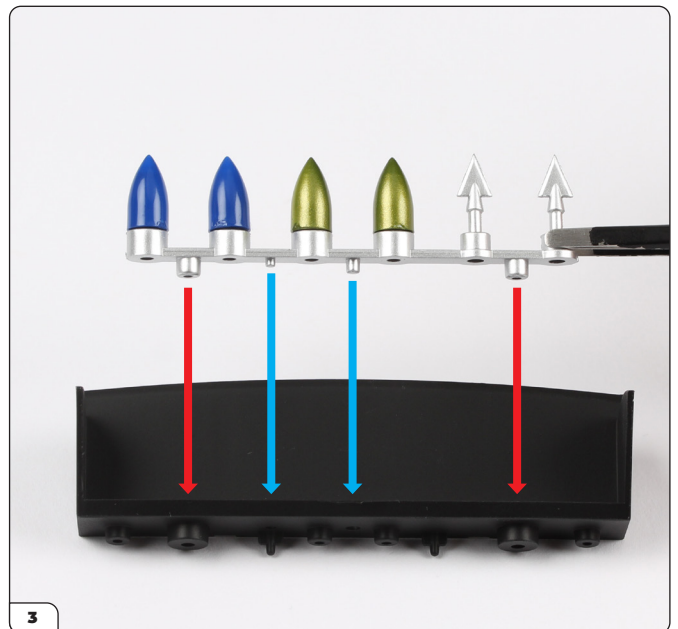
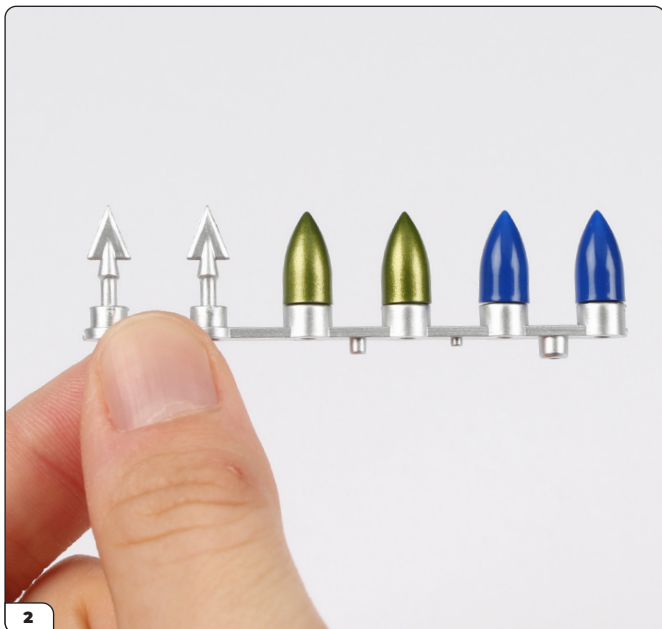
Name	Name
64-A Torpedo launcher	64-E Torpedo cone A x2
64-B Torpedo array	64-F Torpedo cone B x2
64-C Stopper	PS01 screws x3
64-D Hinge	PS09 screws x5



Stage 064: Assembling the Torpedo Launcher



Press a torpedo cone B (64-F) onto the end of the torpedo array (64-B).



Press the other torpedo cone B and the two torpedo cone A (64-E) onto the torpedo array.

Place the torpedo array into the torpedo launcher (64-A). Use the pins to make sure the parts are oriented correctly (blue arrows).

Stage 064: Assembling the Torpedo Launcher



The array should look like this once in place.



Screw the array to the launcher with 2x PS09 screws.

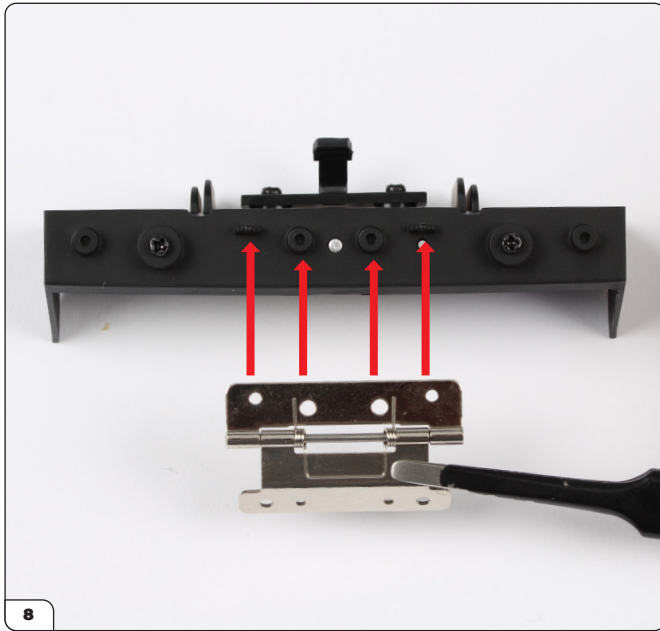


Place the stopper (64-C) onto the launcher. The screw posts are different sizes so the parts only fit together one way.

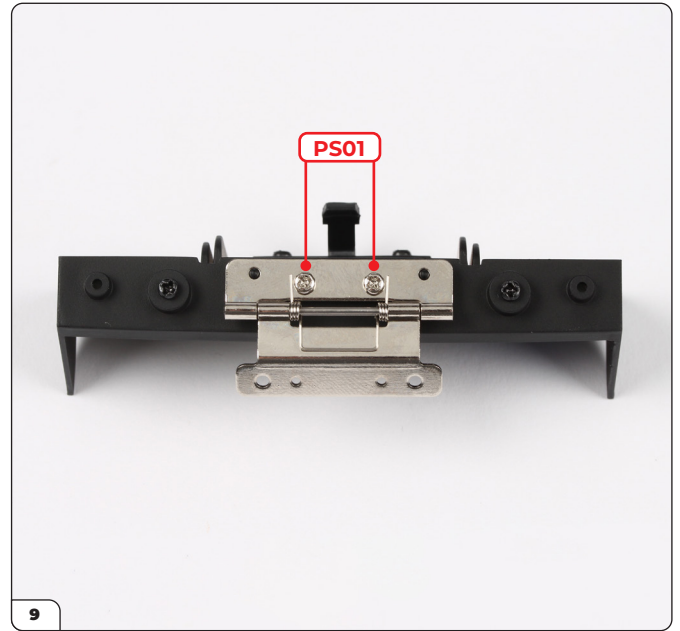


Screw the stopper to the launcher with 2x PS09 screws.

Stage 064: Assembling the Torpedo Launcher



Place the hinge (64-D) onto the launcher.



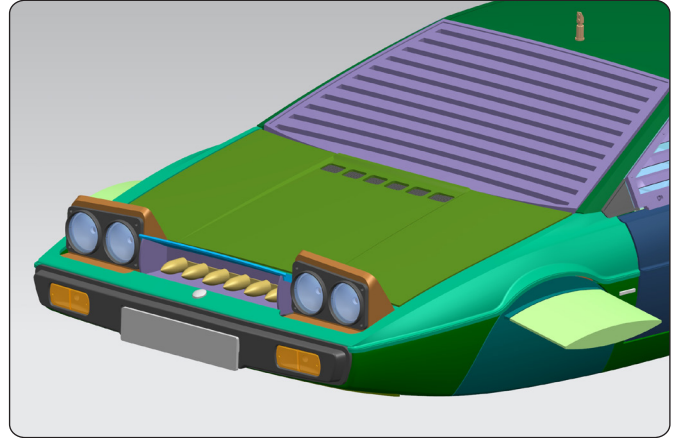
Screw the hinge to the launcher with 2x PS01 screws.

STAGE COMPLETE



Stage 065: Attaching the Torpedo Launcher and Front Bumper

In this stage you will attach the front bumper to the front body and attach the torpedo launcher.

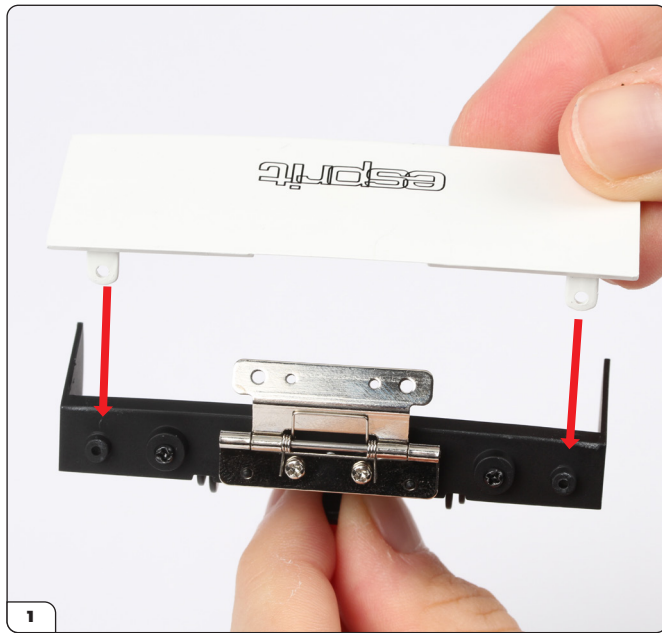


STAGE 065 PARTS LIST

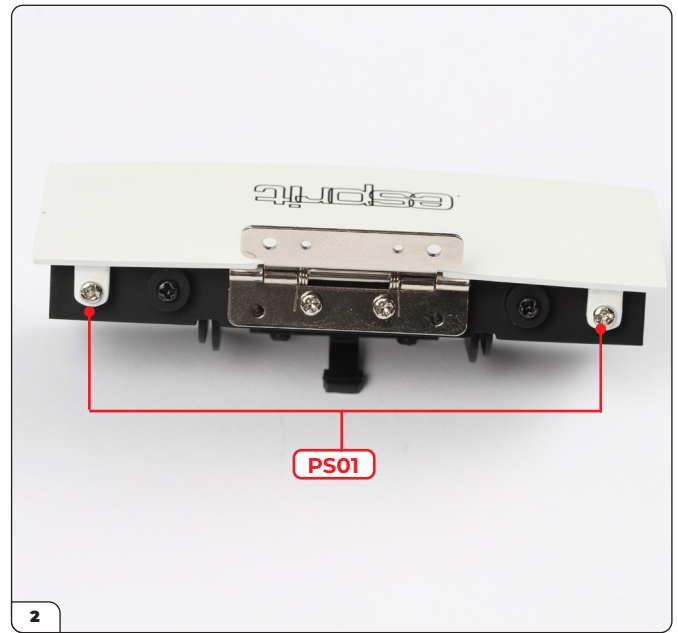
Name	Name
65-A Torpedo launcher panel	65-F Adhesive tape x2
65-B Front number plate	DS01 screws x4
65-C Wire bracket x2	PS01 screws x3
65-D Left indicator LED	DS02 screws x4
65-E Right indicator LED	DS23 screws x3



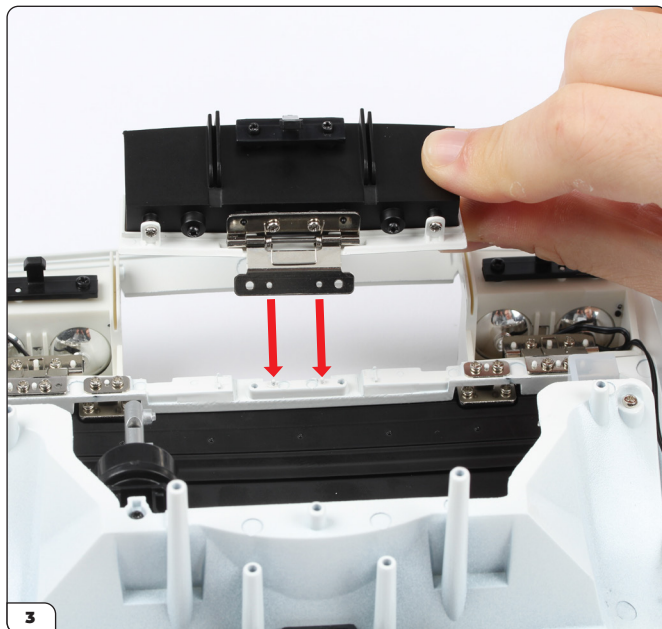
Stage 065: Attaching the Torpedo Launcher and Front Bumper



Take the torpedo launcher panel and align it with the torpedo launcher assembly.



Screw the parts together with 2x PS01 screws

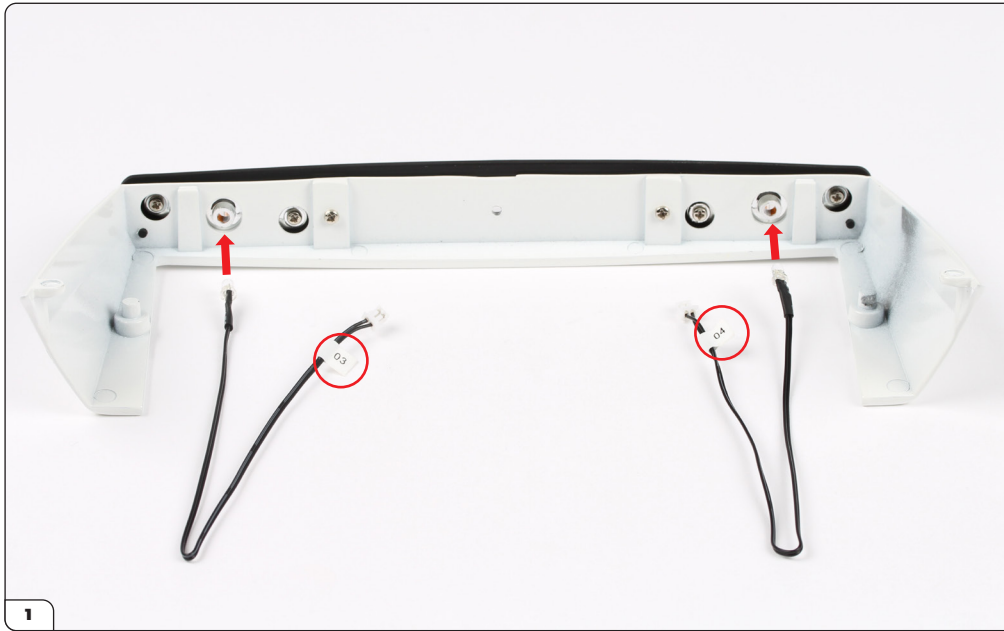


Place the torpedo launcher assembly onto the front body as shown.



Screw the torpedo launcher in place with 2x DS23 screws.

Stage 065: Attaching the Torpedo Launcher and Front Bumper



Place the front wings (stage 002) onto your work surface. Press the left indicator LED (65-D), labelled No. 3, into the left reflector. Press the right indicator LED (65-E), labelled No. 4, into the right reflector.



Carefully press the right wire up against the right wing.

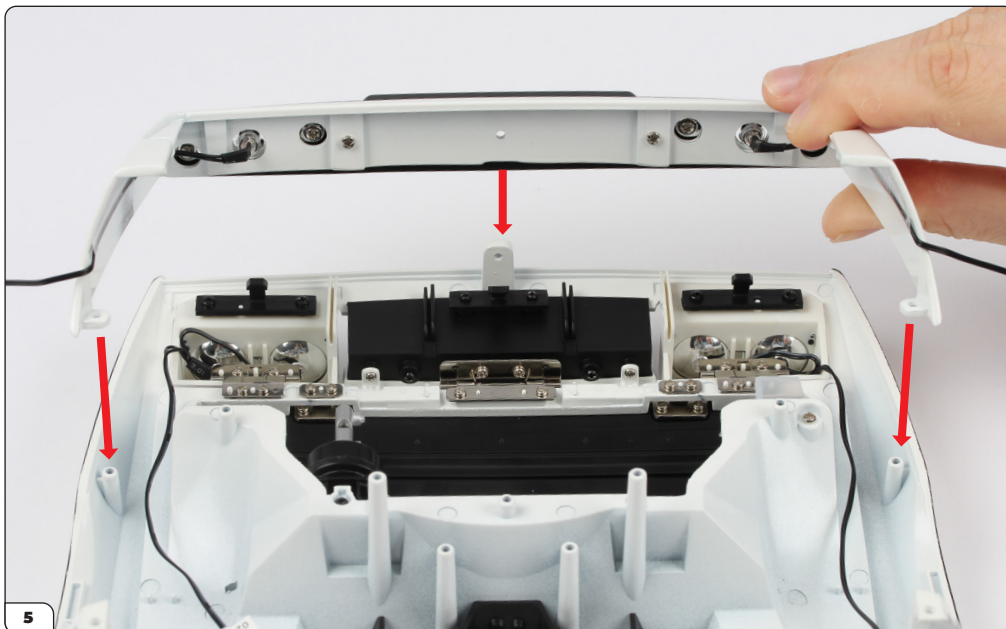


Stick the wire to the right wing using a piece of adhesive tape (65-F).

Stage 065: Attaching the Torpedo Launcher and Front Bumper

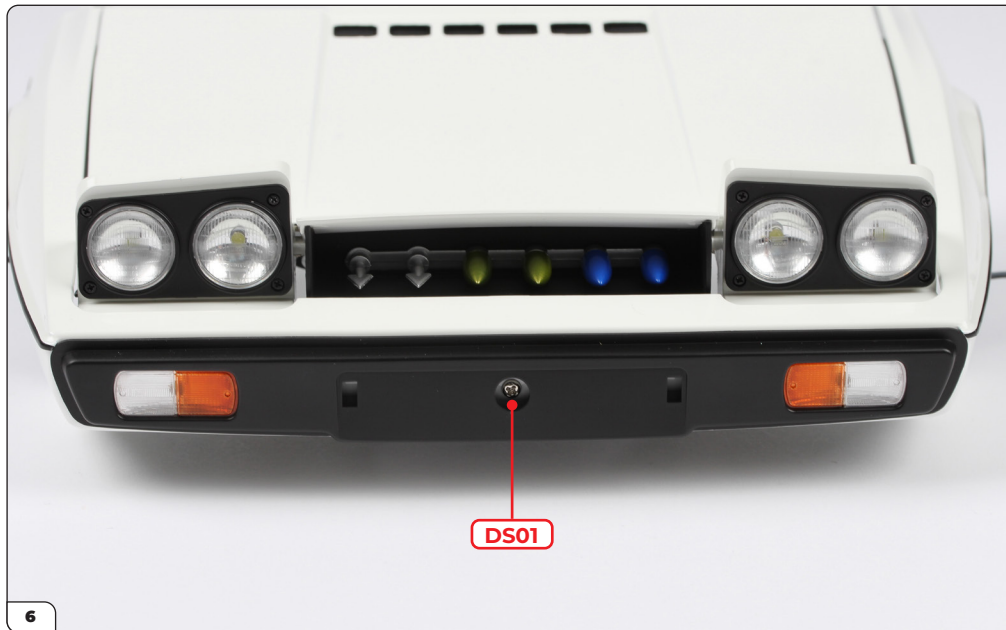


Repeat to position the wire on the left side.

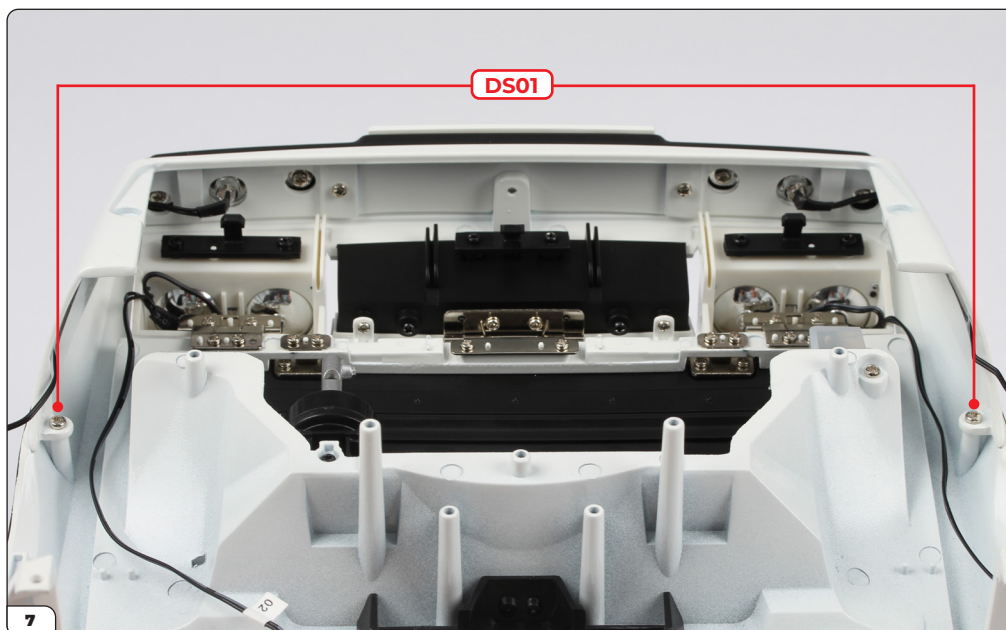


Place the front wing onto the front body assembly (stage 063).

Stage 065: Attaching the Torpedo Launcher and Front Bumper



Screw a DS01 screw through the front bumper into the front body.

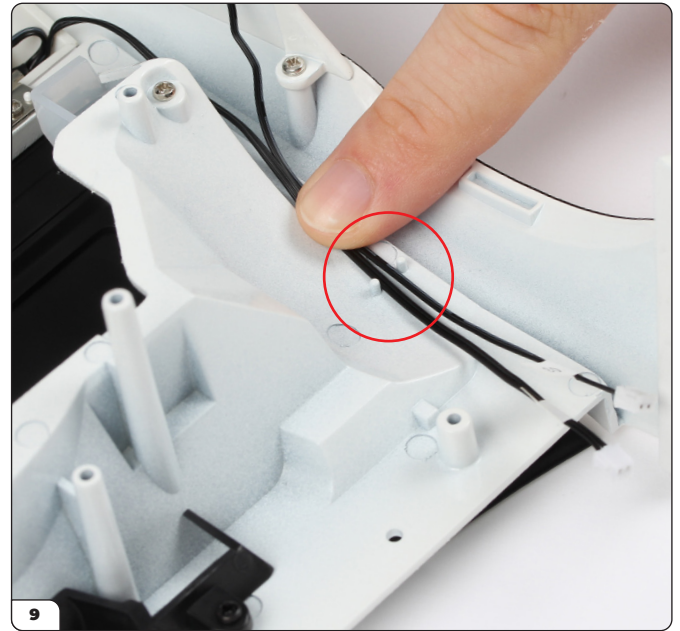


Screw the front wing to the front body with 2x DS01 screws.

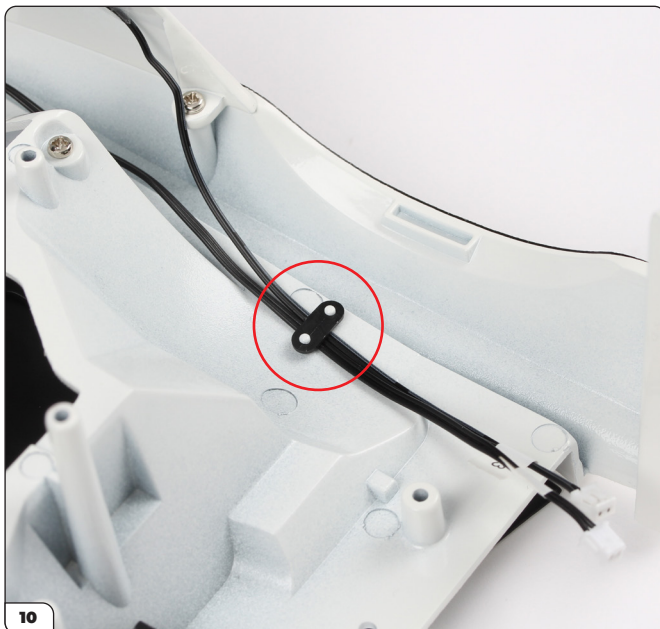
Stage 065: Attaching the Torpedo Launcher and Front Bumper



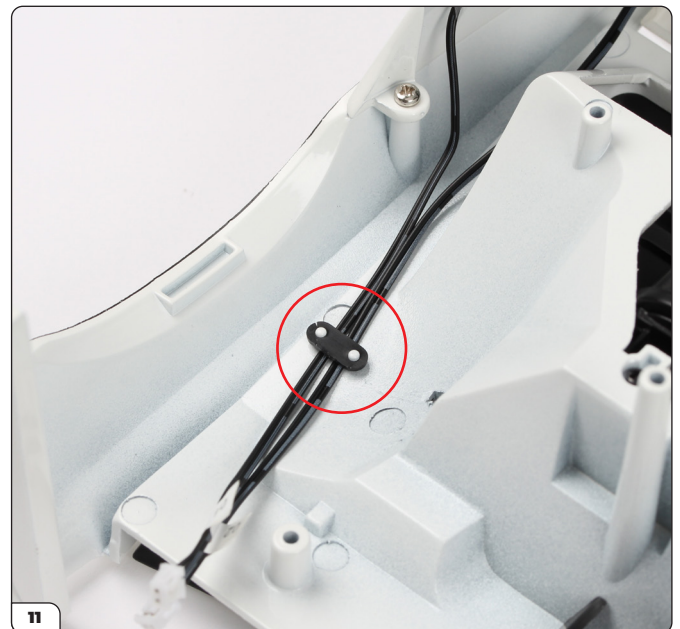
Cut the two wire brackets (65-C) from the sprue.



Position the left LED wires (No. 01 and 03) between the two pins.

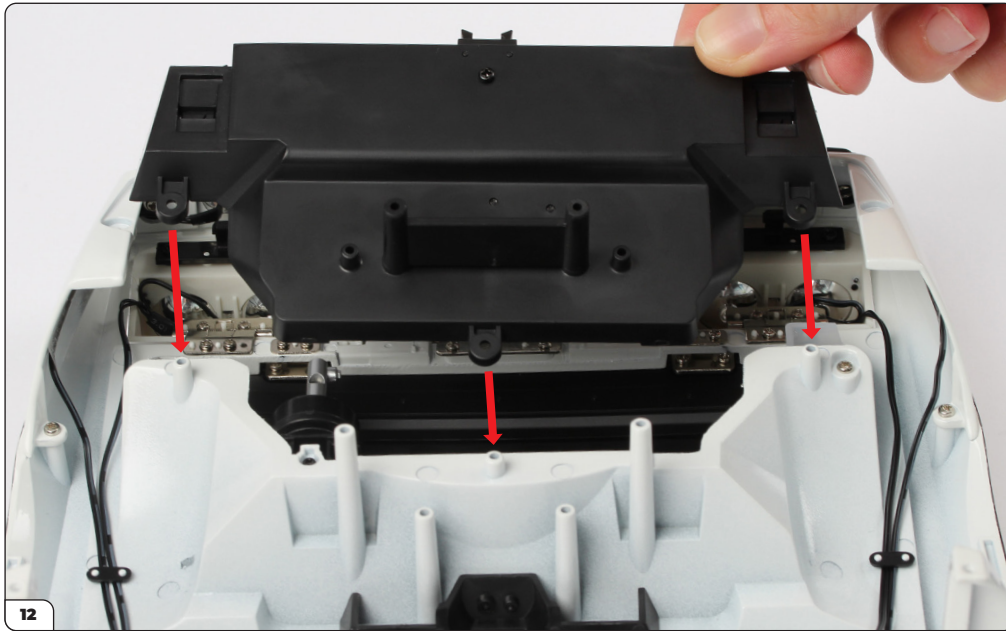


Press a wire bracket onto the pins to secure the wires.

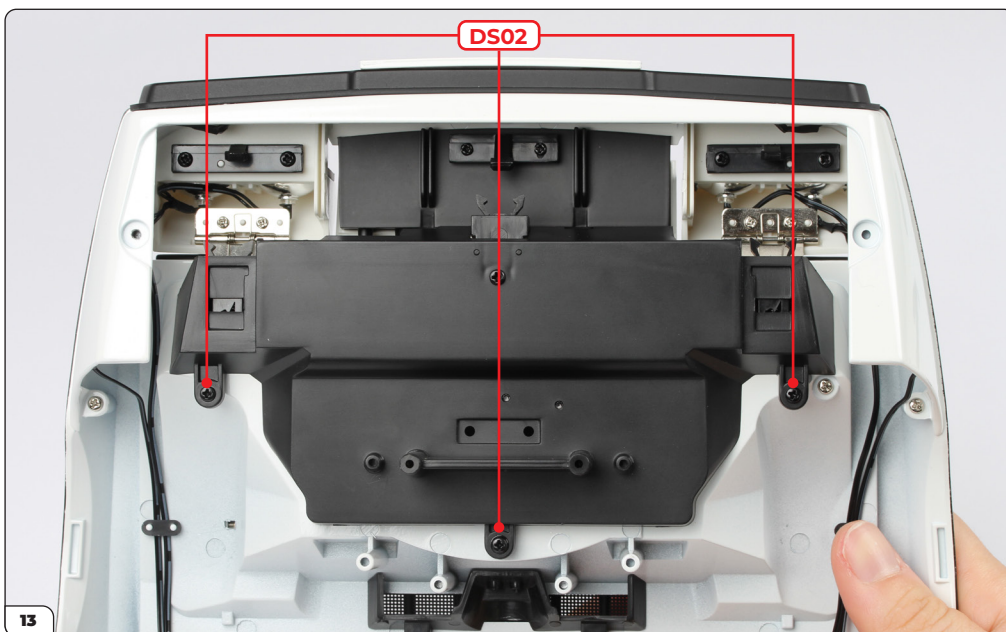


Repeat to position the wires on the right side (No. 02 and 04).

Stage 065: Attaching the Torpedo Launcher and Front Bumper



Place the front panel (stage 059) onto the front body.



Screw the front panel to the front body with 3x DS02 screws.

Stage 065: Attaching the Torpedo Launcher and Front Bumper



Press the headlights down until they clip into the clamps. Make sure there is enough space between the indicator wires and the headlights.



Press the headlights and the torpedo launcher into the clamps to check they work.

Stage 065: Attaching the Torpedo Launcher and Front Bumper

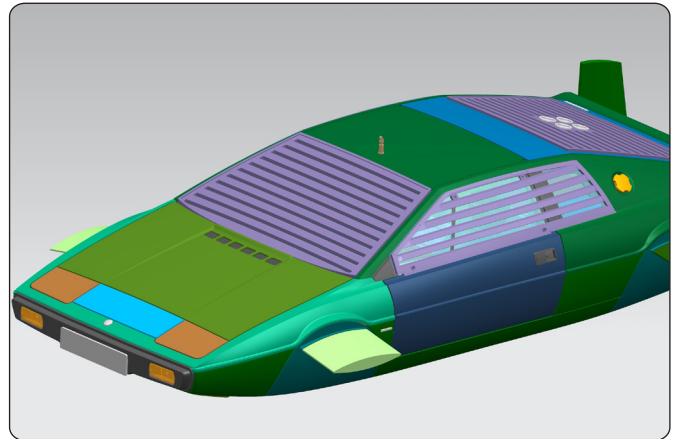


Press the front number plate (65-B) into the front bumper. You may need to bend the number plate slightly.



Stage 066: Attaching the Front Body

In this stage you will attach the door latches and connect the front body to the main body.

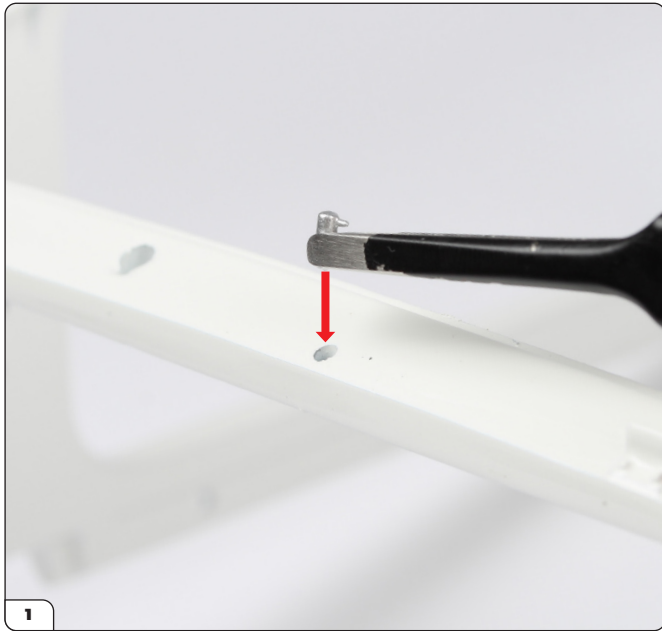


STAGE 066 PARTS LIST

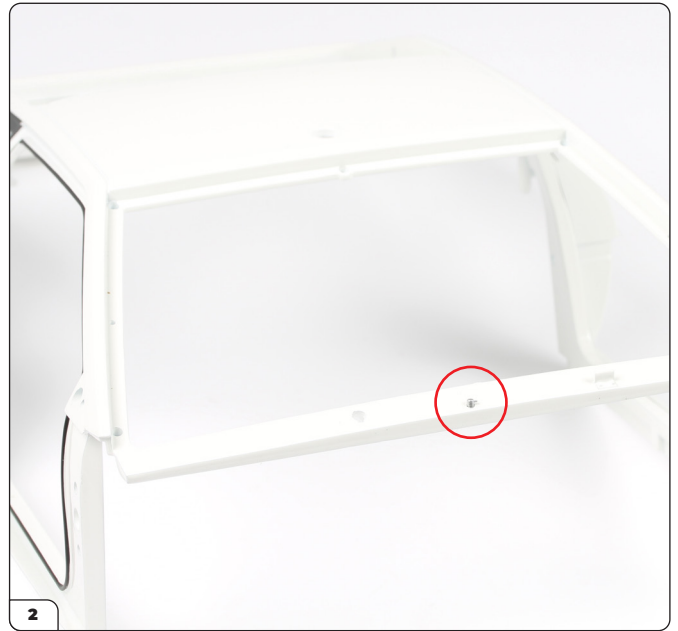
Name
66-A Body
66-B Left door latch
66-C Right door latch
66-D Washer nozzle
DS01 screws x5
PS17 screws x3



Stage 066: Attaching the Front Body



Align the washer nozzle (66-D) with the body (66-A).



Press the washer nozzle in place.



Take the left (66-B) and right (66-C) door latches. The parts are marked 'L' and 'R'.

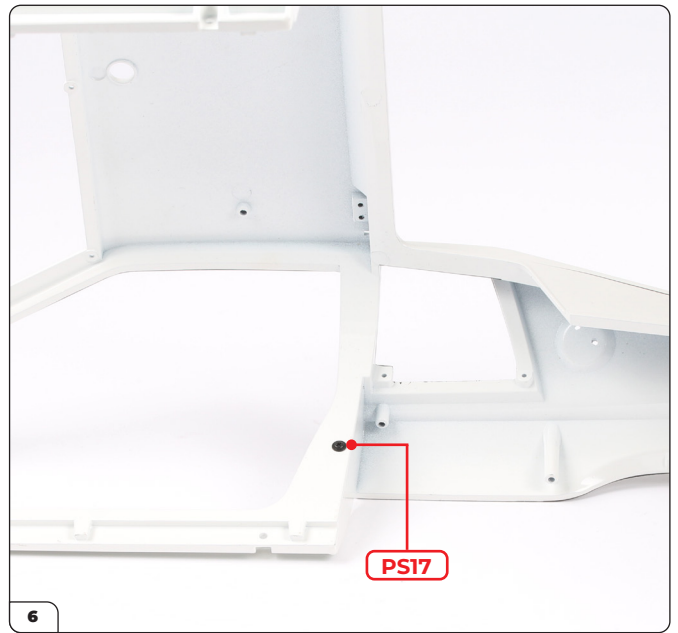


Push the right door latch into the recess on the right side.

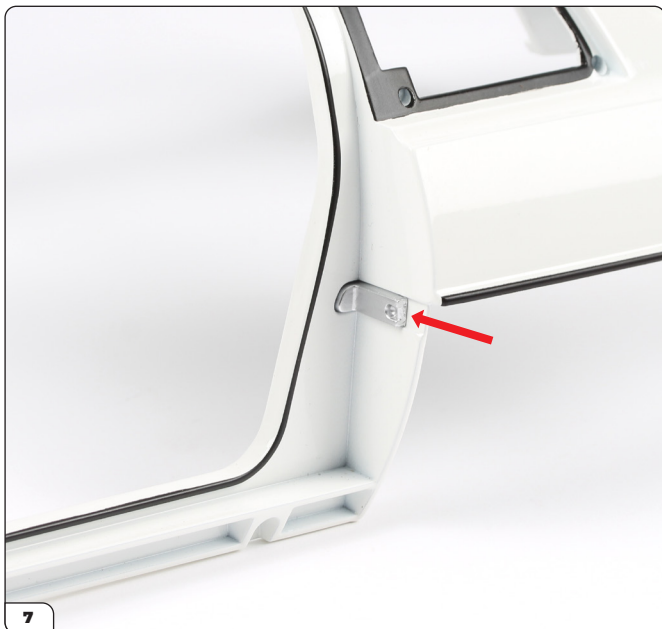
Stage 066: Attaching the Front Body



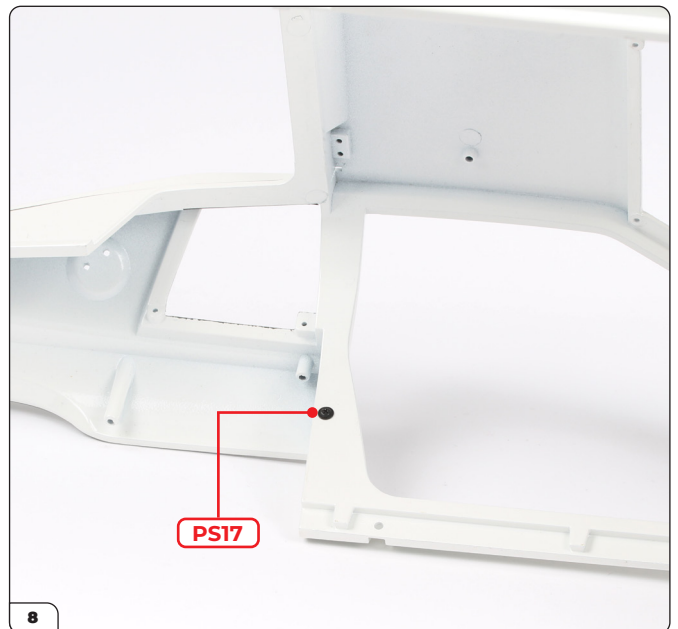
The door latch should look like this.



From the inside, screw the door latch to the body with a PS17 screw.

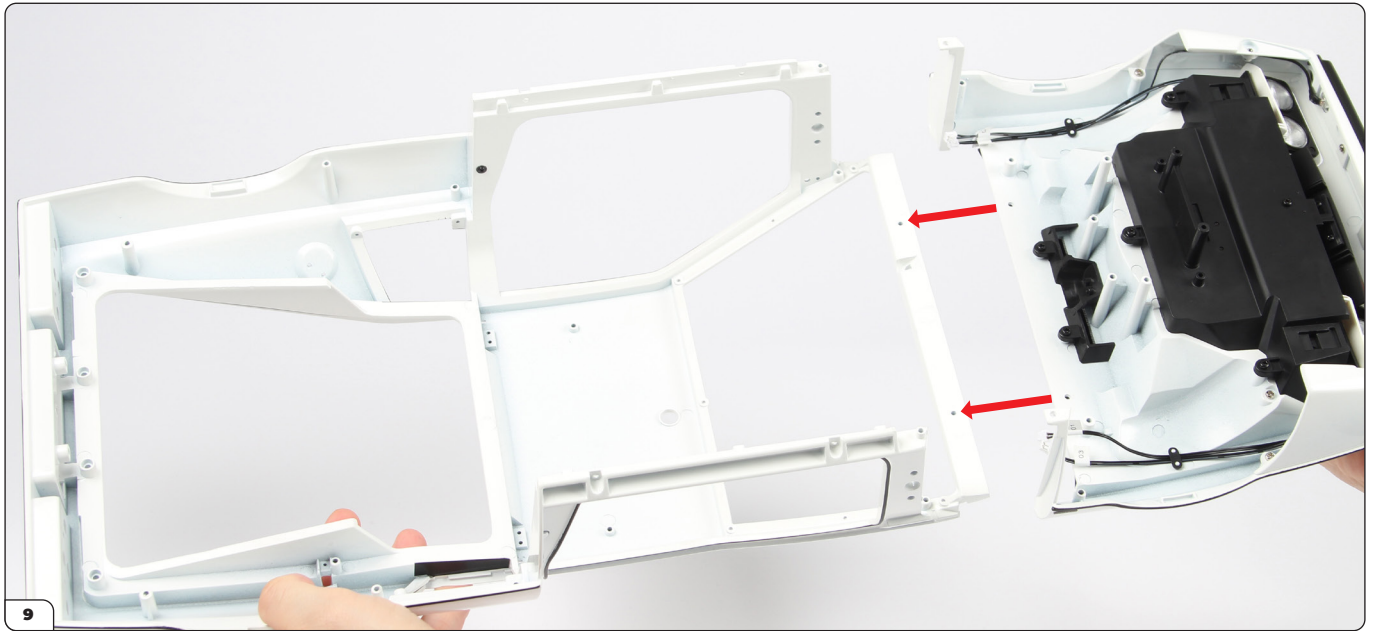


Push the left door latch into the other side of the body.



Screw the door latch to the body with a PS17 screw.

Stage 066: Attaching the Front Body



Align the front body (stage 065) with the assembly as shown.

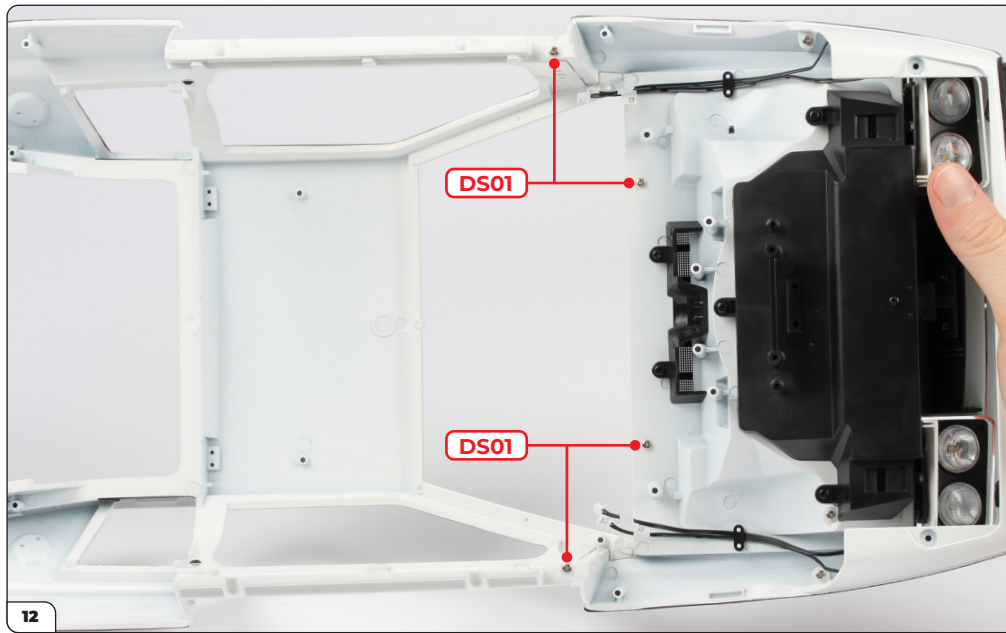


Press the parts firmly together. You may find it easier to do at an angle.



Push the parts into place. Check the pillars are aligned correctly.

Stage 066: Attaching the Front Body



Screw the parts together using 4x DS01 screws.

