

# THE SPY WHO LOVED ME™

LOTUS  
esprit



## Pack 09

### BUILD INSTRUCTIONS

**STAGE 067: ATTACHING THE  
RIGHT CHASSIS PLATE**

**STAGE 070: ATTACHING THE  
LEFT ROCKER PANEL**

**STAGE 073: FITTING THE  
QUARTER WINDOWS**

**STAGE 068: ATTACHING THE  
LEFT CHASSIS PLATE**

**STAGE 071: ATTACHING THE  
RIGHT WINDOW LOUVRES  
AND THE RIGHT DOOR**

**STAGE 074: PREPARING THE  
TAILGATE PANEL**

**STAGE 069: ATTACHING THE  
RIGHT ROCKER PANEL**

**STAGE 072: ATTACHING THE  
LEFT WINDOW LOUVRES  
AND THE LEFT DOOR**

**STAGE 075: ATTACHING  
THE TAILGATE PANEL  
AND HINGES**

THE SPY WHO LOVED ME © Danjaq, LLC and Metro-Goldwyn-Mayer Studios Inc. THE SPY WHO LOVED ME, *007*™ and related James Bond Indicia © 1962-2024 Danjaq, LLC and Metro-Goldwyn-Mayer Studios Inc. THE SPY WHO LOVED ME, *007*™ and related James Bond Trademarks are trademarks of Danjaq, LLC. All Rights Reserved. Produced under licence from Group Lotus LTD. LOTUS, the Lotus Roundel, car names and all associated logos and distinctive designs are trade marks of Group Lotus LTD.

## Advice from the experts

---

Spare screws are included with each part. Occasionally, you may be instructed to keep spare or unused screws for a later stage. Keep these spares in a safe place and label them correctly.

Please make sure you don't mix up the screws. They look quite similar, but the threads do vary slightly. Using the wrong screws may damage the parts.

When securing parts together using multiple screws, fit each screw loosely to ensure all the parts are correctly aligned before gently tightening them firmly, but not overtight, in the order in which you placed them.

The screwdriver can be magnetized by stroking it with a magnet (fridge magnet, etc.) enabling it to hold the screws and make assembly easier.

If a screw is tight going into a metal part, do not force it as you may shear the head off. Remove it and put a tiny smear of Vaseline, soap or light oil on the thread. That will lubricate it and make it easier to drive home.

During the course of this build, you will receive many pieces that you will assemble immediately – following the instructions in the corresponding stage – and other pieces that you should store safely to one side, for use in future assembly stages.

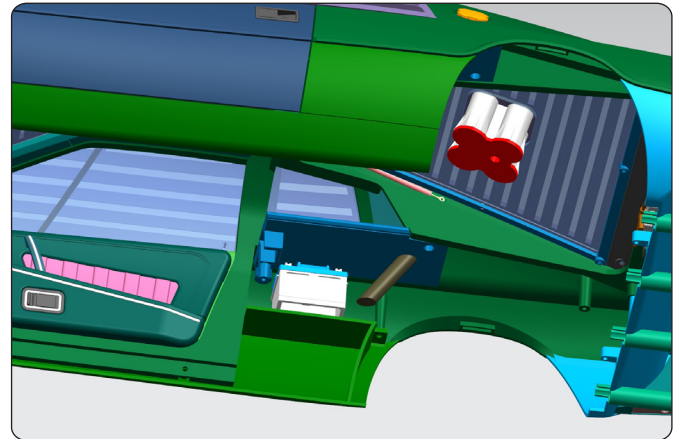
Left and Right! When building your *The Spy Who Loved Me* Lotus Esprit, the left- or right-hand side refers to that side as if you are sitting in the car.



**WARNING:** Some parts are assembled using magnets. These magnets can cause serious injury if they are swallowed. Keep away from children. If you suspect a magnet has been swallowed, seek medical help straight away.

## Stage 067: Attaching the Right Chassis Plate

In this stage you'll build and attach the right chassis plate to the main body. You'll also fit the right fuel cap.



### STAGE 067 PARTS LIST

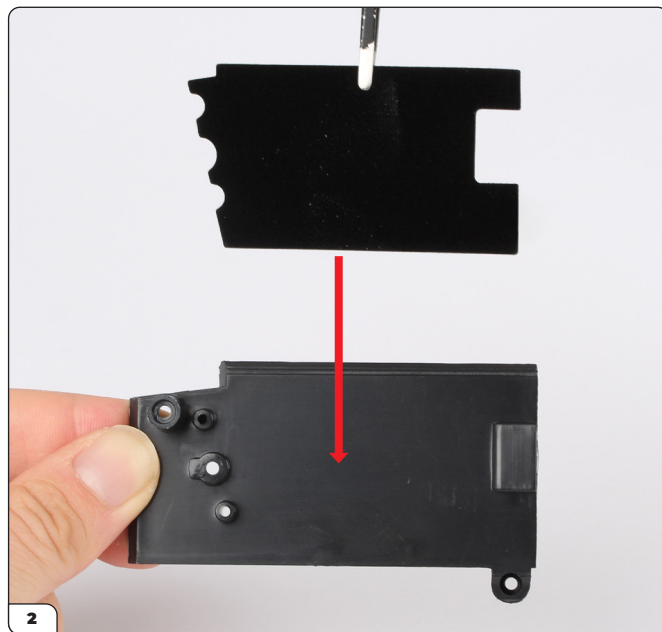
Name	Name
67-A Right chassis plate	67-G Battery terminal x2
67-B Battery cover	67-H Right carpet sticker
67-C Right plate cover	PS05 screws x5
67-D Right strut	PS12 screws x3
67-E Right fuel cap	DS02 screws x3
67-F Right bracket	DS39 screws x2



## Stage 067: Attaching the Right Chassis Plate



Peel the backing paper from the right carpet sticker (67-H).



Align the carpet sticker with the right chassis plate (67-A).

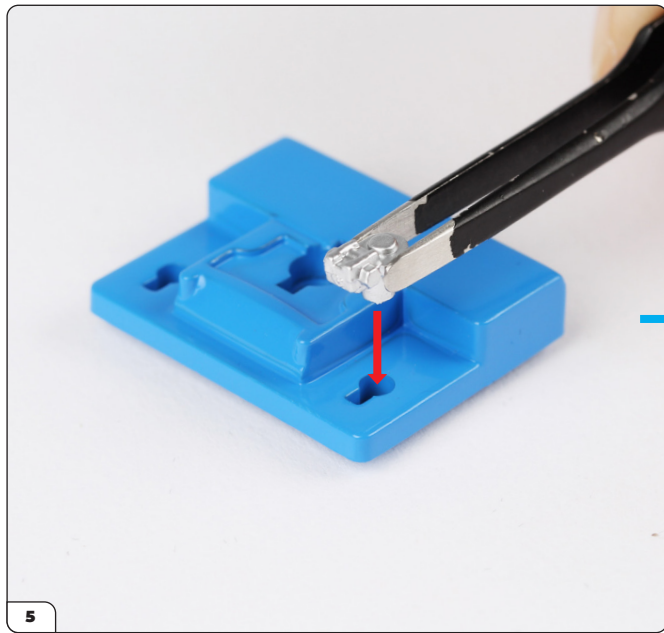


Stick the sticker to the chassis plate, starting with the edge highlighted by the red line.

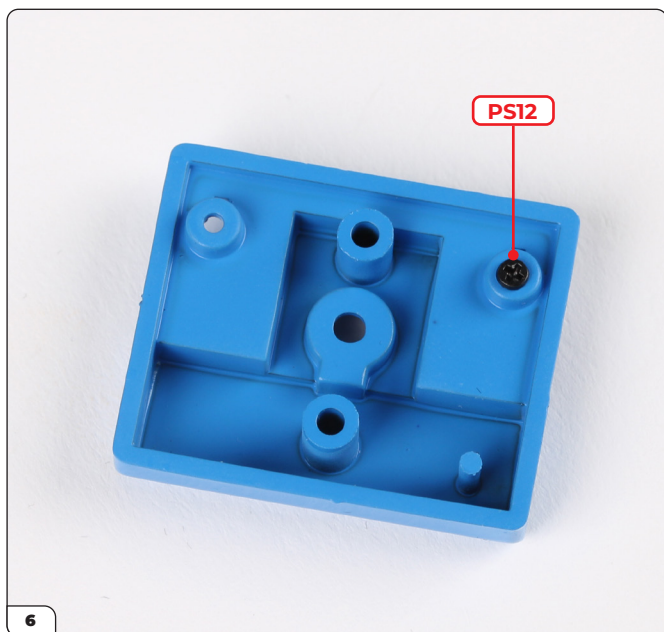


Continue to press the sticker firmly onto the chassis plate.

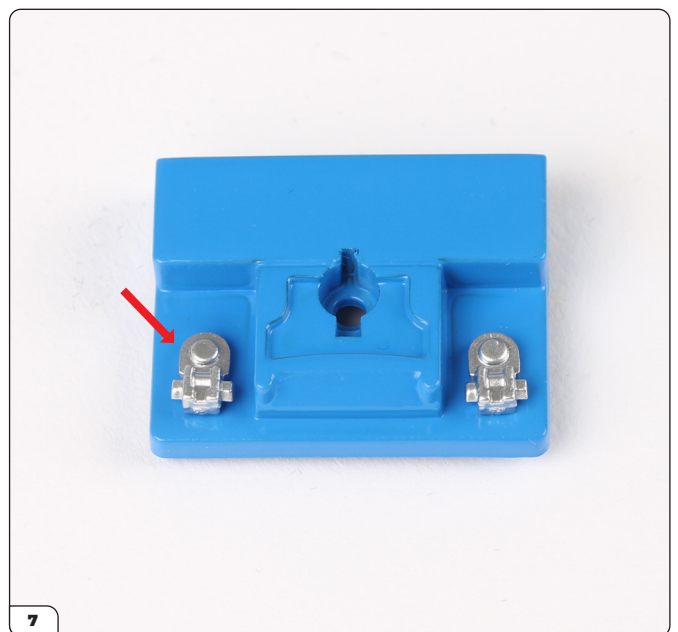
## Stage 067: Attaching the Right Chassis Plate



Push one of the battery terminals (67-G) into the battery cover (67-B).

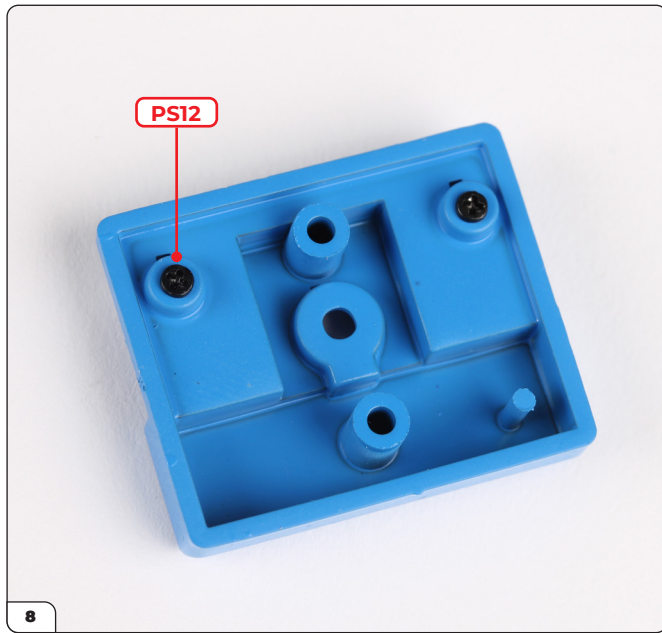


Screw the terminal from underneath using a PS12 screw.

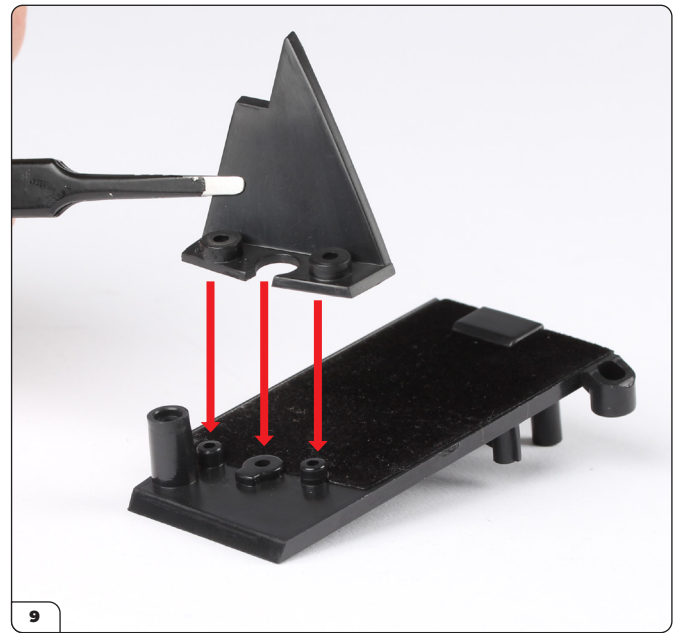


Push the other terminal into the opposite side.

## Stage 067: Attaching the Right Chassis Plate



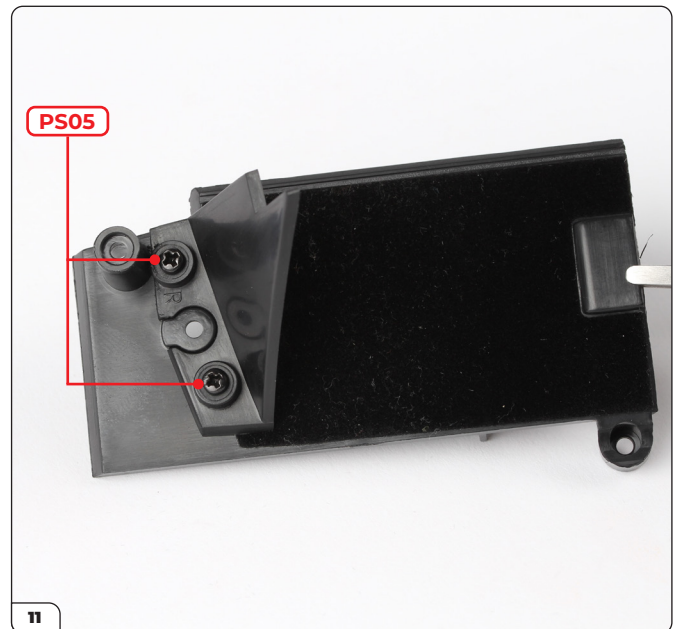
Secure from underneath with a PS12 screw.



Align the right plate cover (67-C) with the right chassis plate.

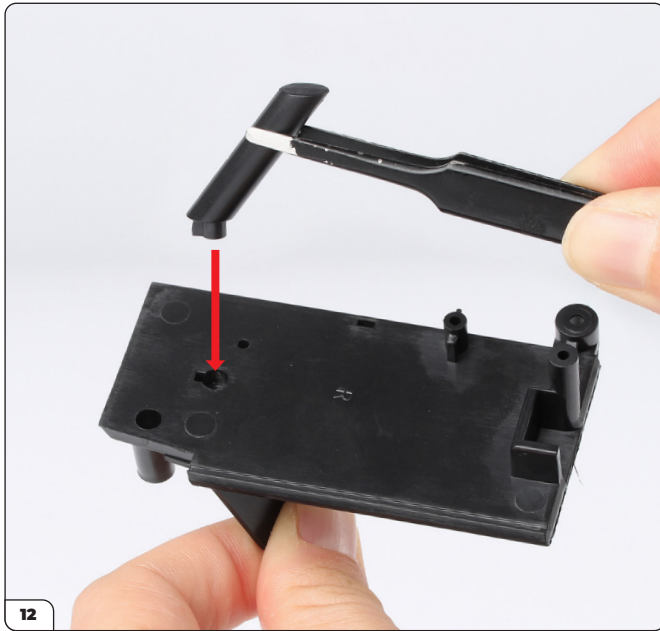


Press the right plate cover in place.



Screw the right plate cover to the chassis plate with 2x PS05 screws.

## Stage 067: Attaching the Right Chassis Plate



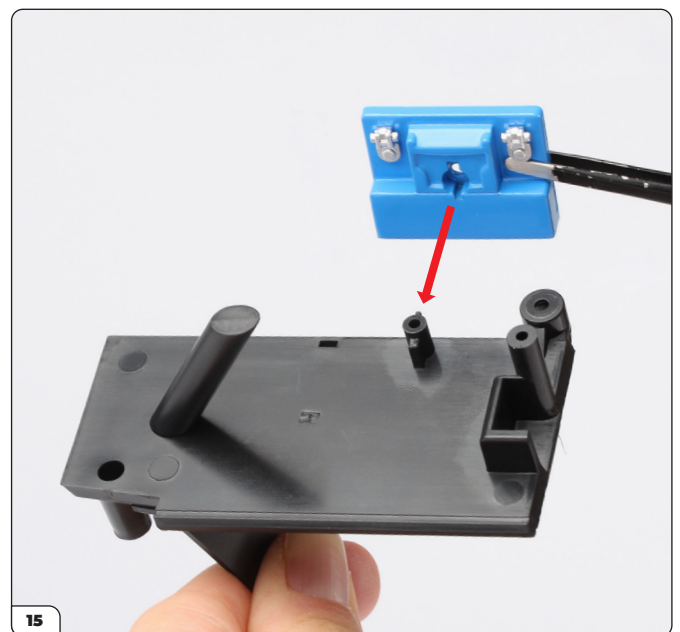
Align the right strut (67-D) with the chassis plate.



Push the right strut into place.

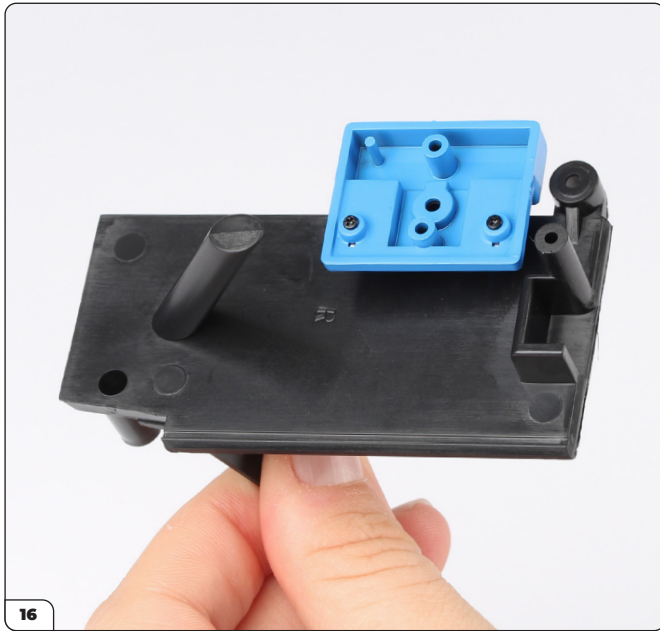


Screw the right strut to the chassis plate using a PS05 screw.

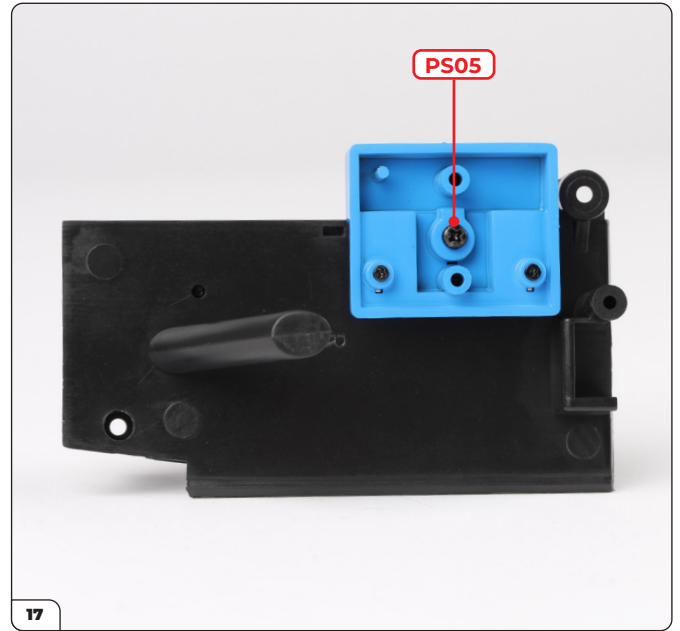


Align the battery cover with the chassis plate.

## Stage 067: Attaching the Right Chassis Plate



Press the battery cover in place.



Screw the battery cover to the chassis plate with a PS05 screw.



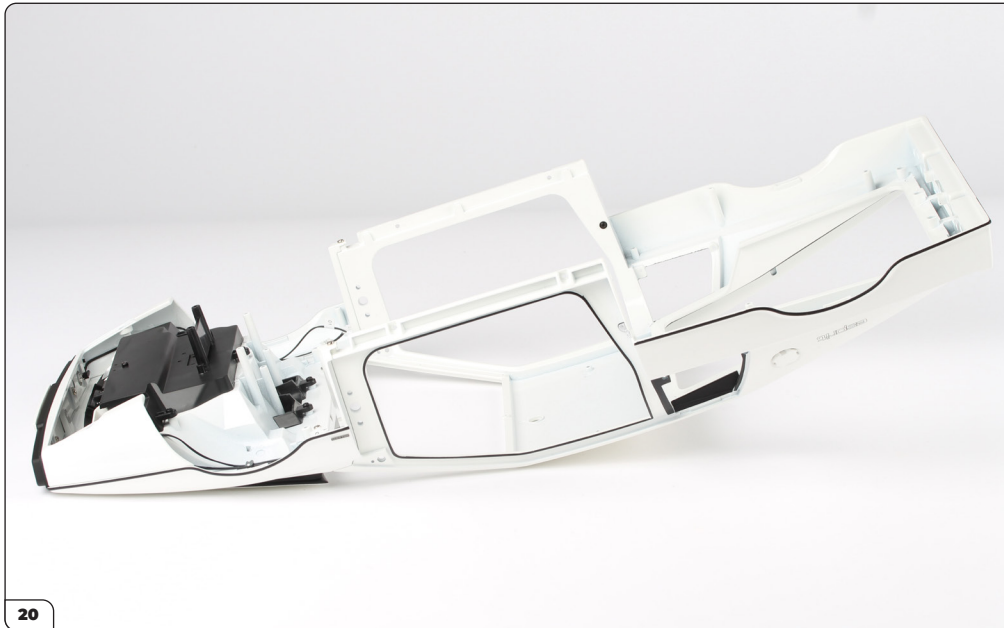
Align the right fuel cap (67-E) with the right side of the main body (stage 066).



Press the fuel cap firmly in place.



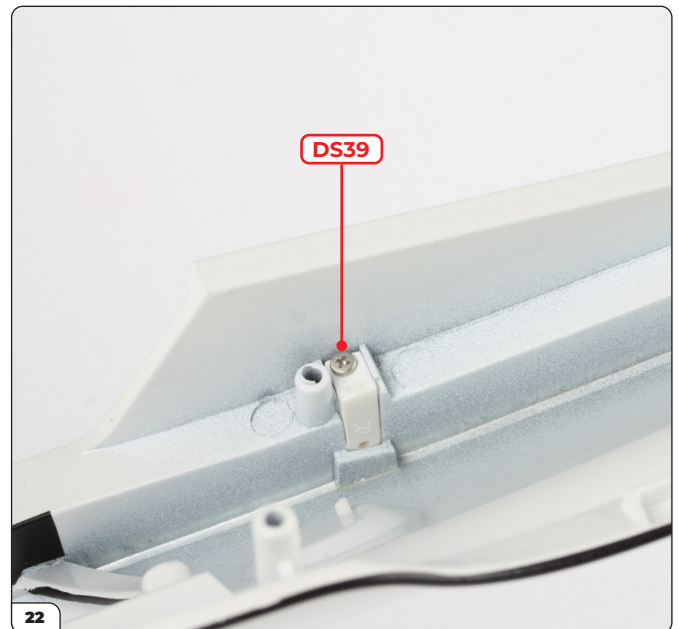
## Stage 067: Attaching the Right Chassis Plate



Carefully place the model upside down. Use a soft surface to protect the paint work.

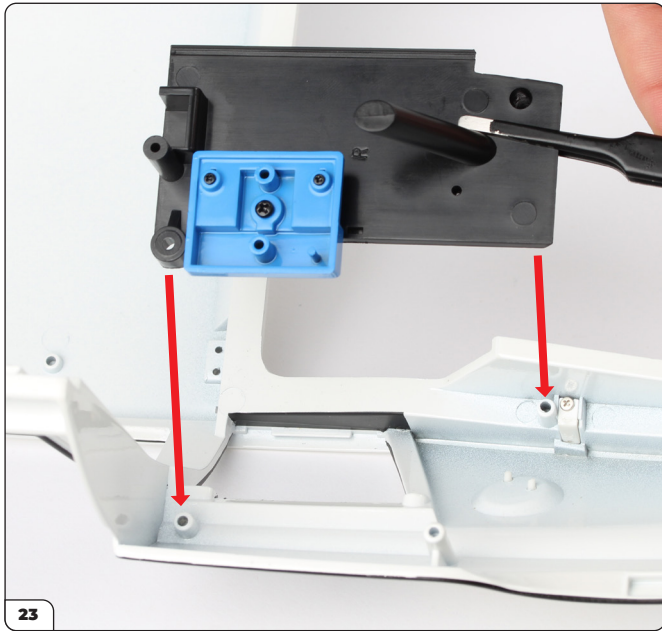


Push the right bracket (67-F) into the main body on the rear right side.

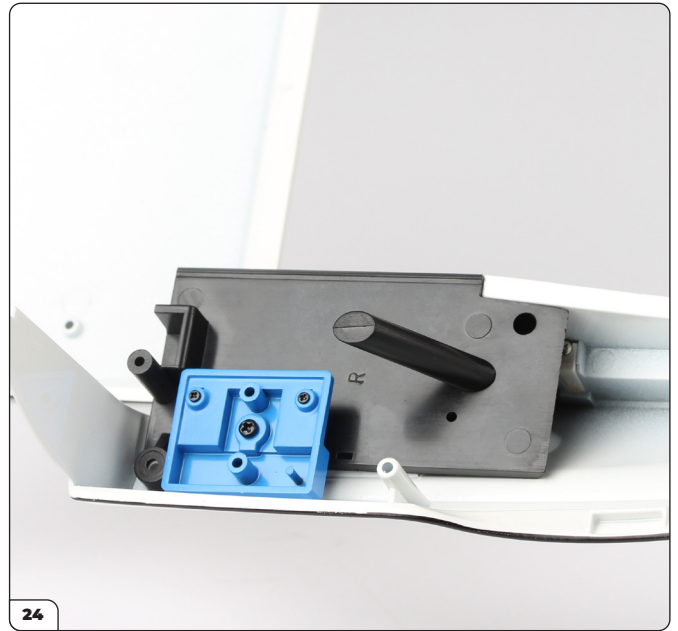


Screw the bracket in place with a DS39 screw.

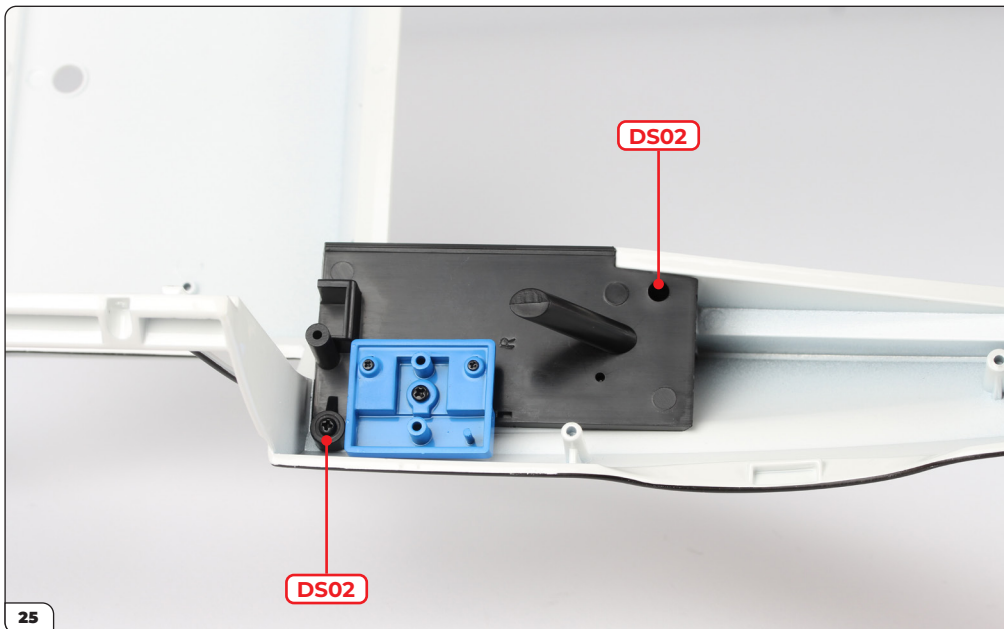
## Stage 067: Attaching the Right Chassis Plate



Align the chassis plate with the main body.



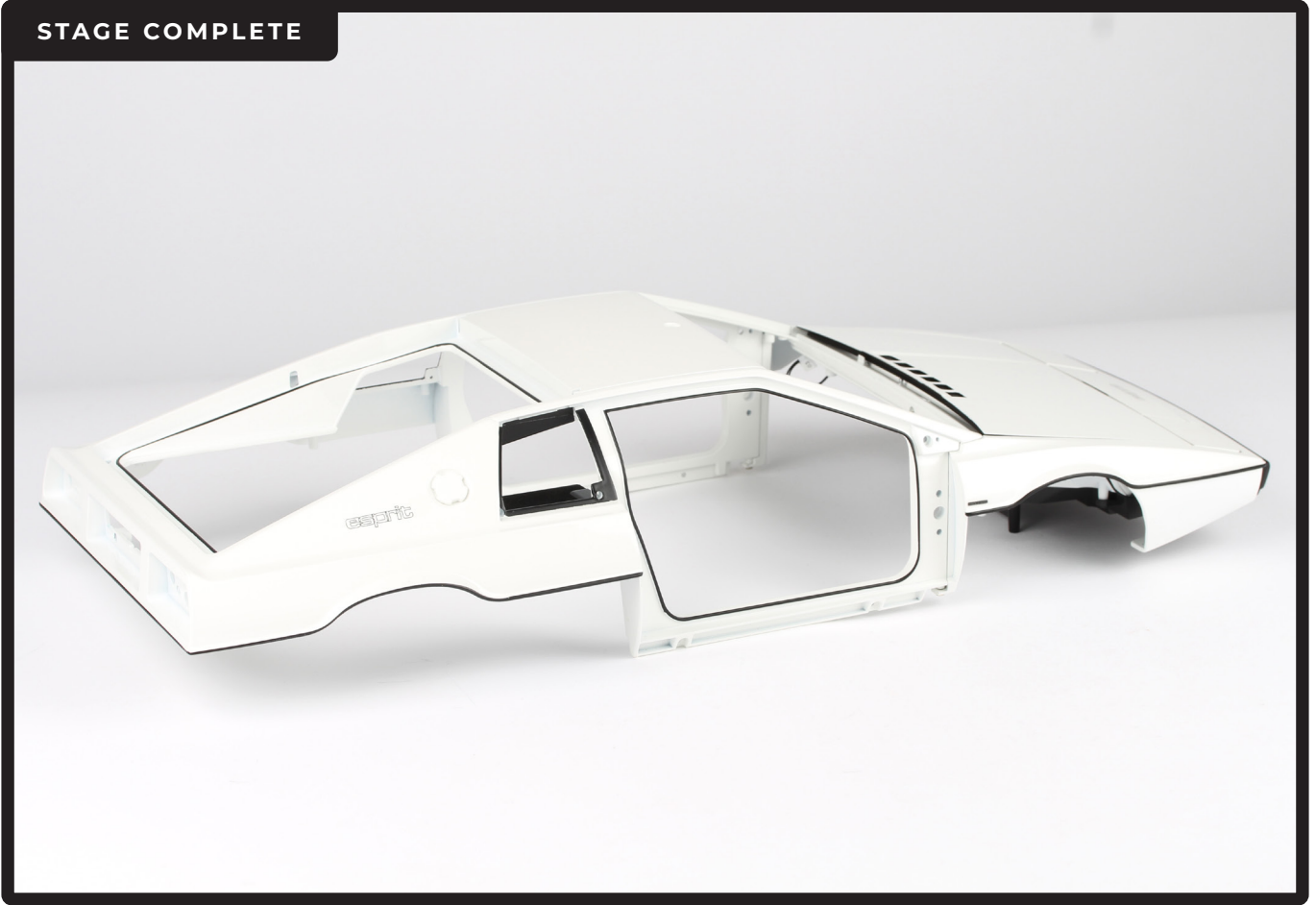
Press the chassis plate in place.



Screw the right chassis plate to the main body using 2x DS02 screws.

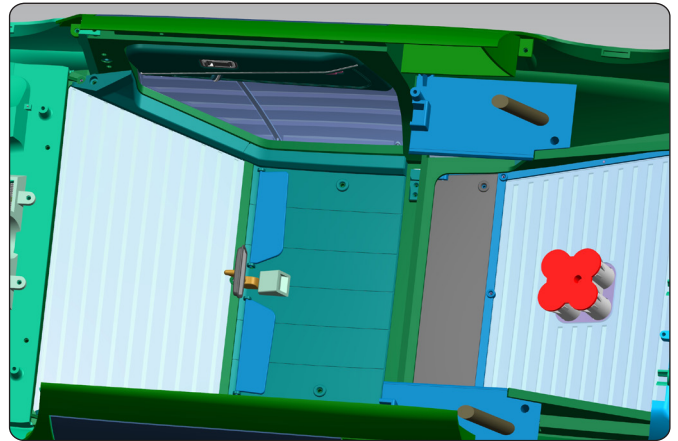
## Stage 067: Attaching the Right Chassis Plate

STAGE COMPLETE



## Stage 068: Attaching the Left Chassis Plate

In this stage you'll build and attach the left chassis plate.

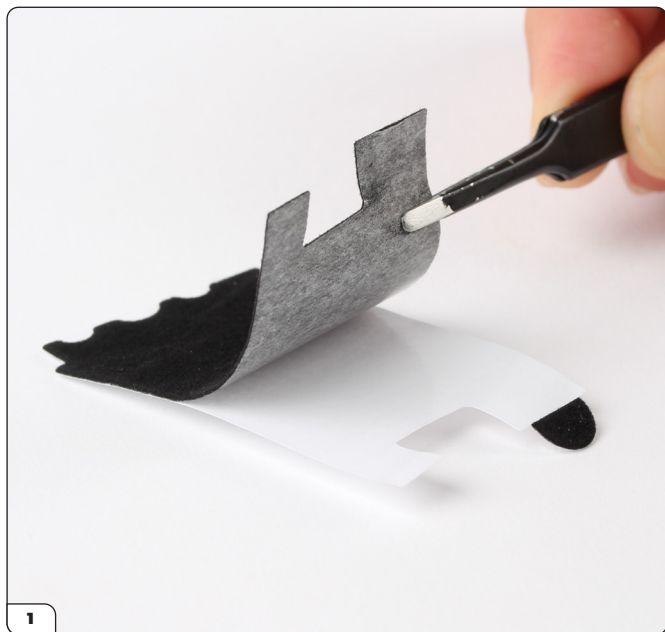


### STAGE 068 PARTS LIST

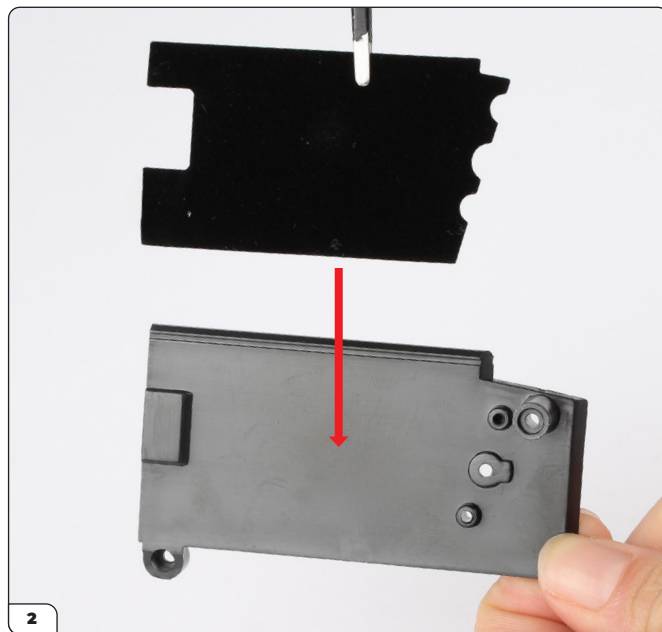
Name	Name
68-A Left chassis plate	68-F Left bracket
68-B Battery	68-G Left carpet sticker
68-C Left plate cover	PS05 screws x6
68-D Left strut	DS02 screws x3
68-E Left fuel cap	DS39 screws x2



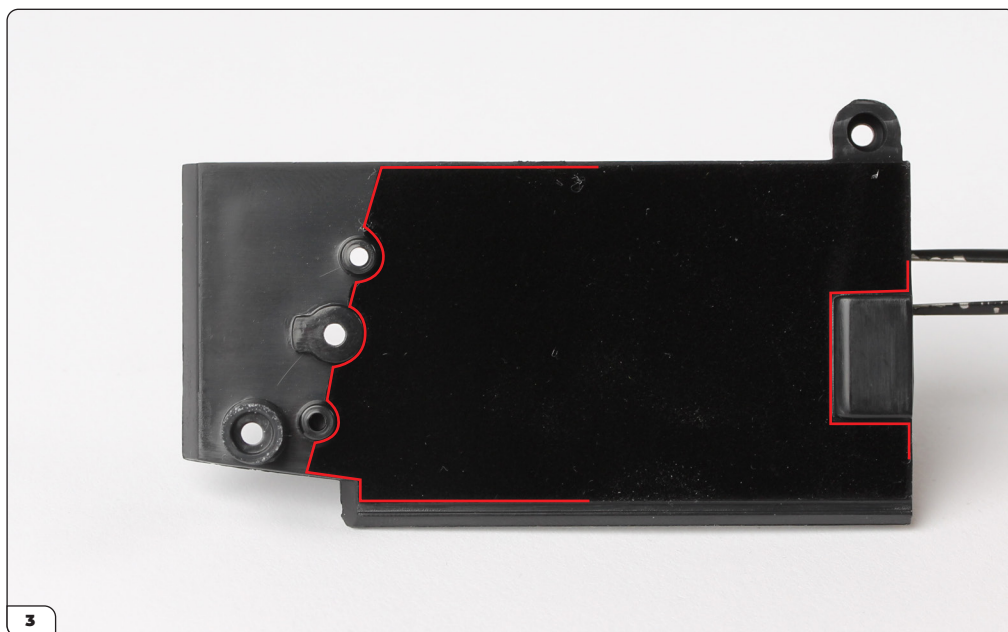
## Stage 068: Attaching the Left Chassis Plate



Peel the backing paper from the left carpet sticker (68-G).



Align the carpet sticker with the left chassis plate (68-A).



Stick the sticker to the chassis plate. Take care when aligning the edges shown by the red lines.

## Stage 068: Attaching the Left Chassis Plate



Align the left plate cover (68-C) with the left chassis plate.



Press the left plate cover in place.



Screw the left plate cover to the chassis plate with 2x PS05 screws.



Align the left strut (68-D) with the chassis plate.

## Stage 068: Attaching the Left Chassis Plate



Press the left strut firmly in place.



Screw the left strut with a PS05 screw.

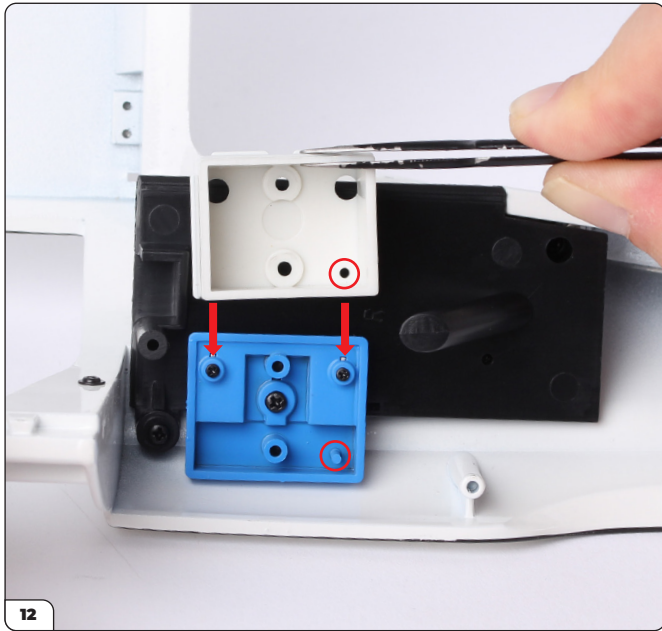


Align the left fuel cap (68-E) with the main body (stage 067).

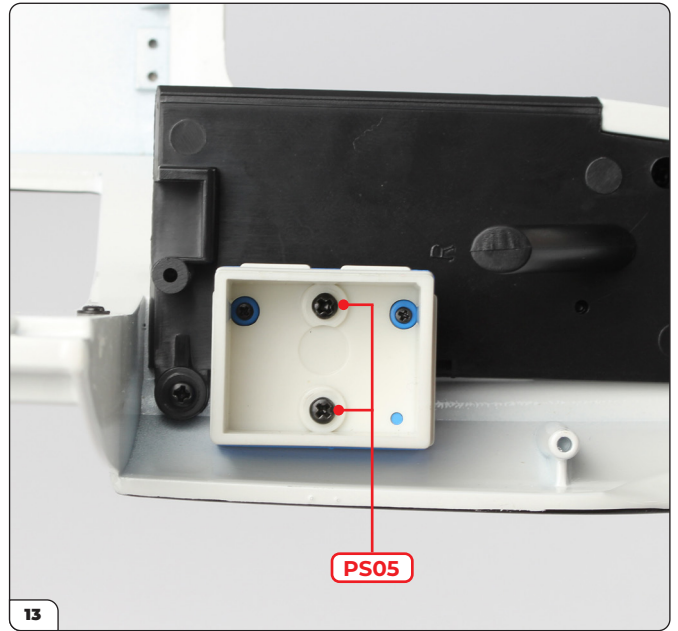


Press the fuel cap firmly in place.

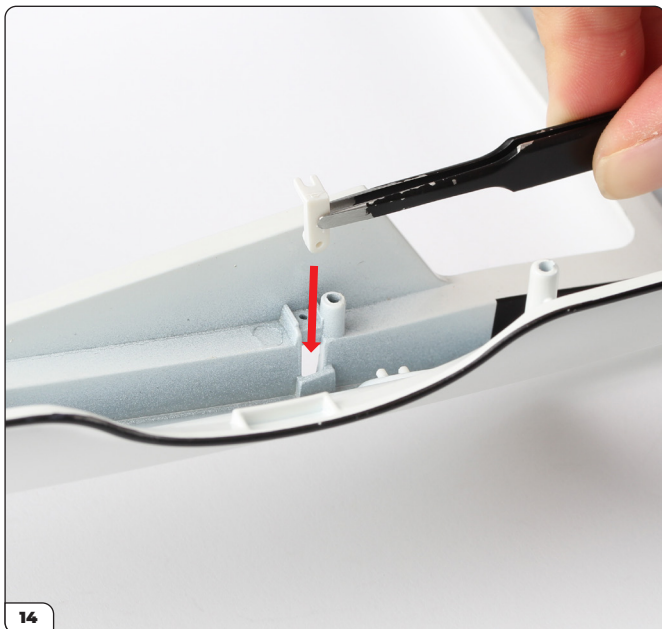
## Stage 068: Attaching the Left Chassis Plate



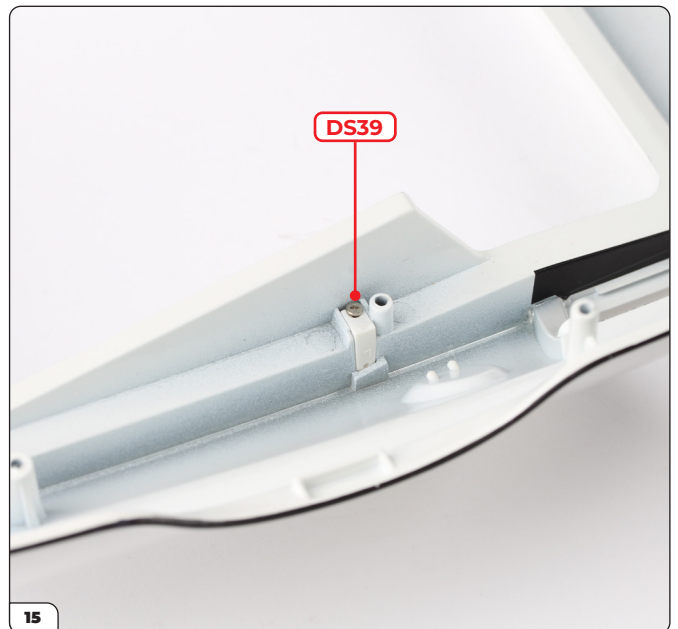
Align the battery (68-B) with the battery cover (stage 067). There is a pin (circled) to ensure the parts are fitted together correctly.



Press the battery onto the battery cover. Screw the parts together with 2x PS05 screws.



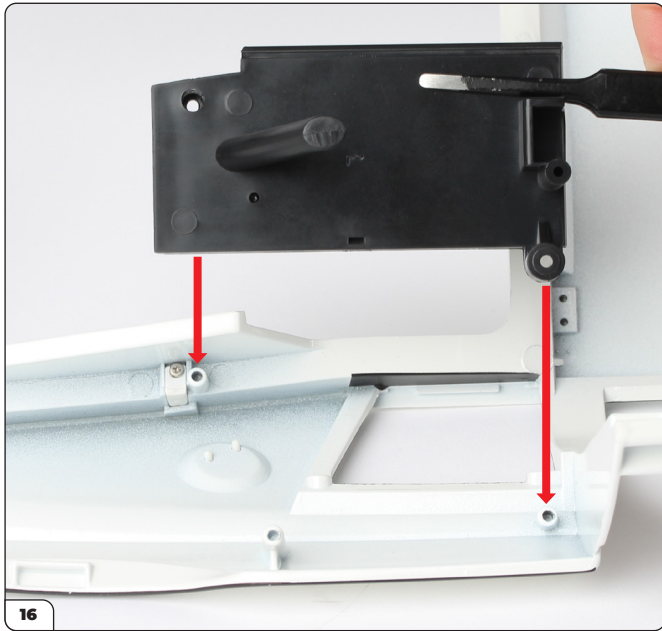
Push the left bracket (68-F) into the main body on the rear left side.



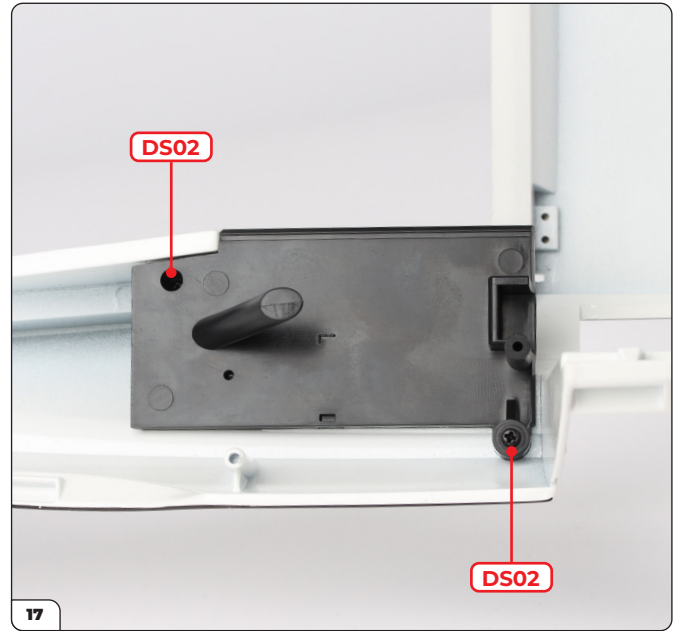
Screw the bracket in place with a DS39 screw.



## Stage 068: Attaching the Left Chassis Plate



Align the chassis plate with the main body.



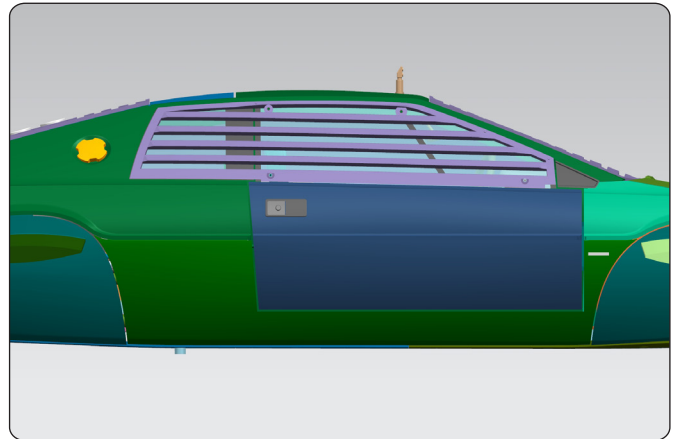
Press the chassis plate in place then secure it using 2x DS02 screws.

**STAGE COMPLETE**



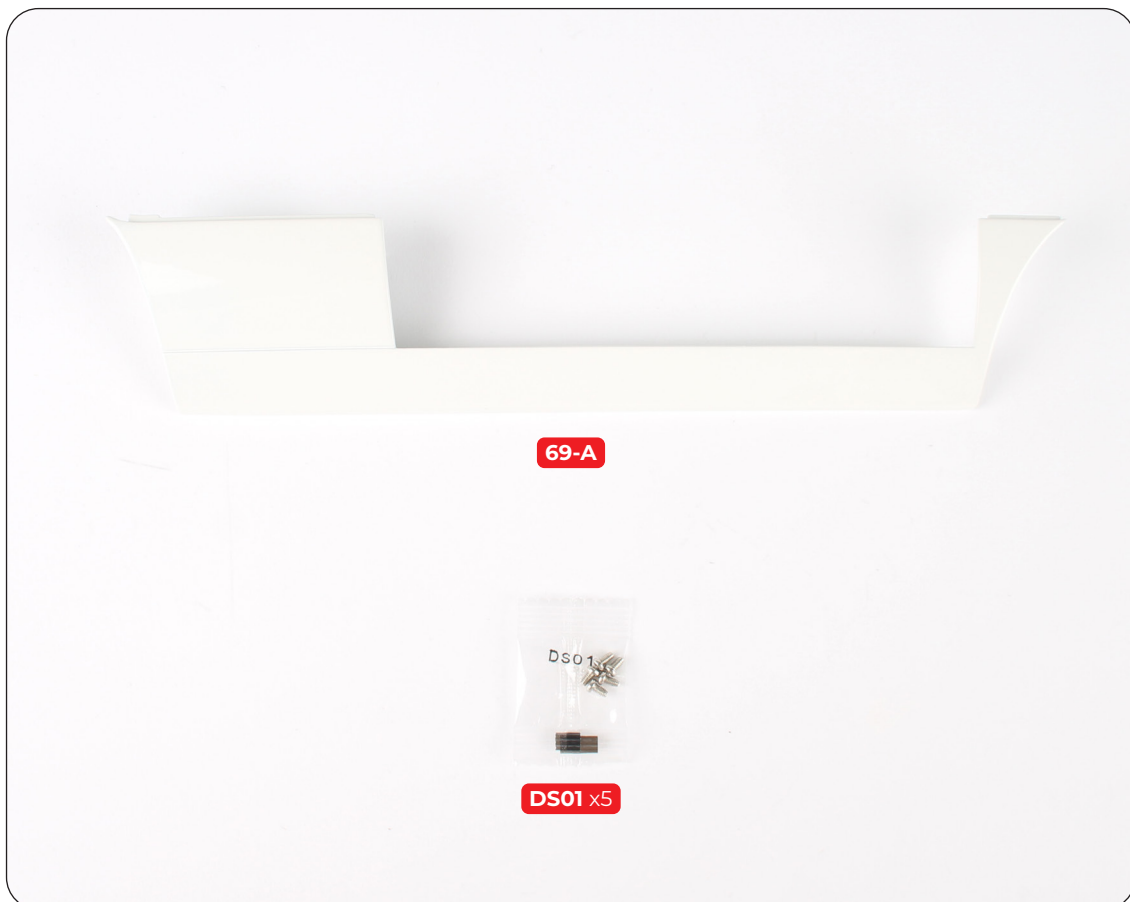
## Stage 069: Attaching the Right Rocker Panel

In this stage you'll attach the right rocker panel to the main body.



### STAGE 069 PARTS LIST

Name
69-A Right rocker panel
DS01 screws x5



## Stage 069: Attaching the Right Rocker Panel

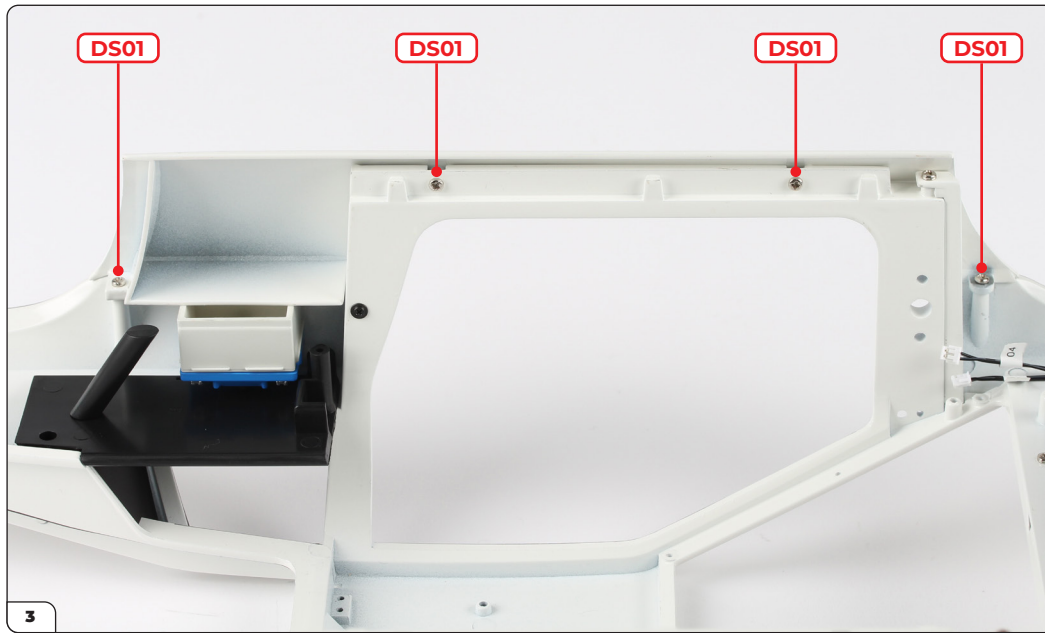


Carefully place the main body (stage 068) upside down, using a soft surface to protect the paintwork. Align the right rocker panel (69-A) with the main body.

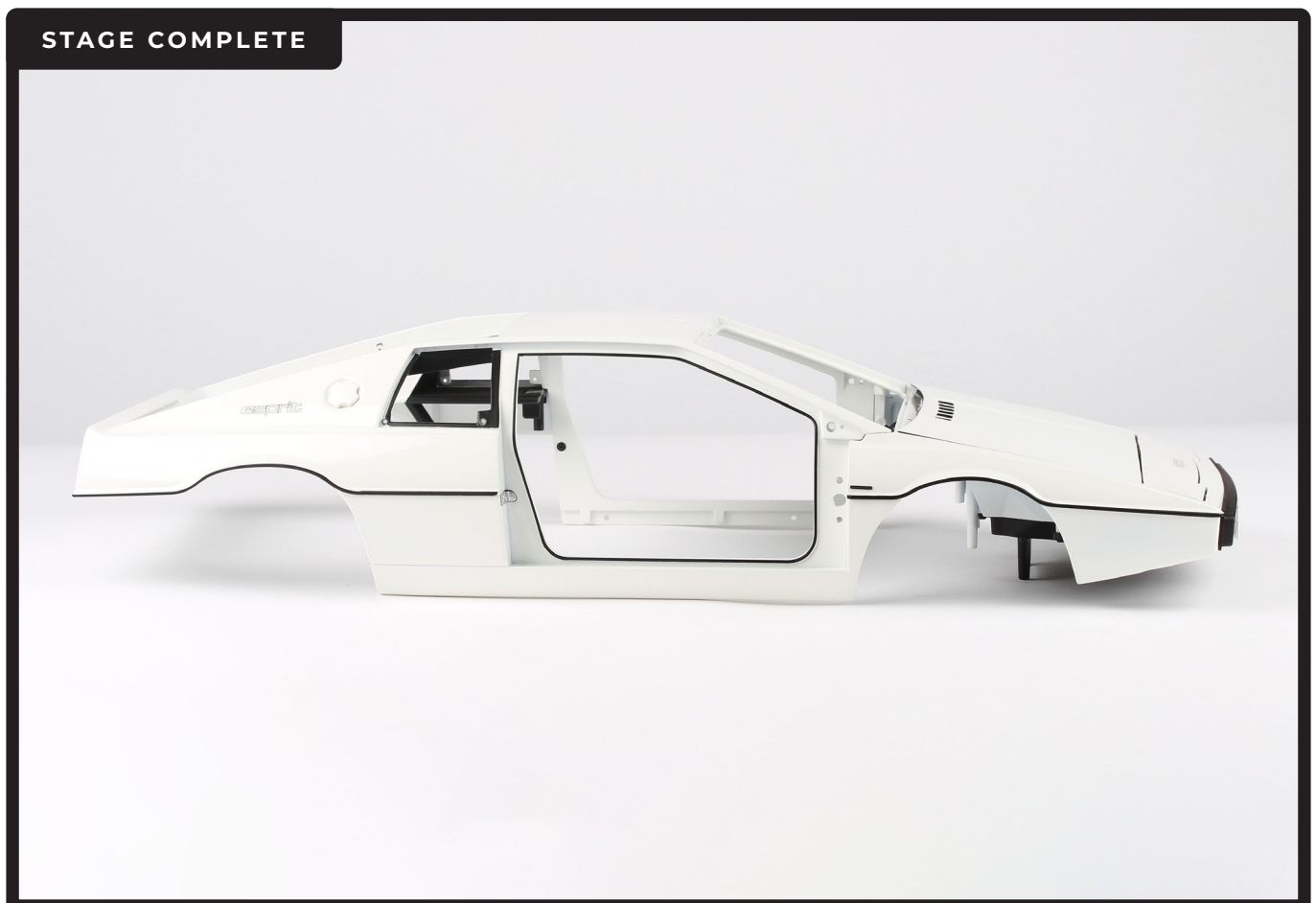


Push the right rocker panel into place.

## Stage 069: Attaching the Right Rocker Panel

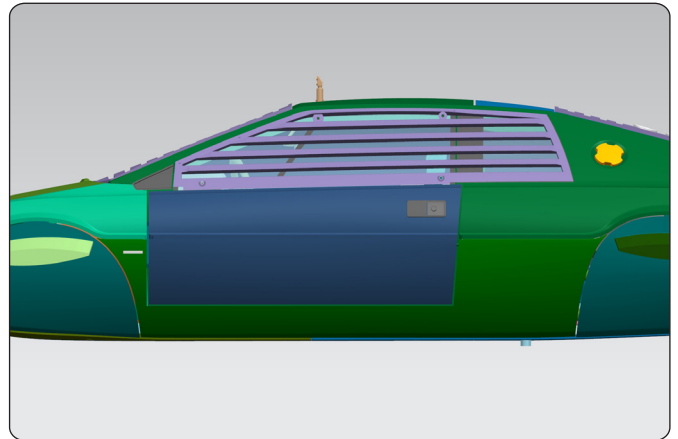


Screw the rocker panel to the main body with 4x DS01 screws.



## Stage 070: Attaching the Left Rocker Panel

In this stage you'll attach the left rocker panel to the main body.



### STAGE 070 PARTS LIST

Name
70-A Left rocker panel
DS01 screws x5



## Stage 070: Attaching the Left Rocker Panel

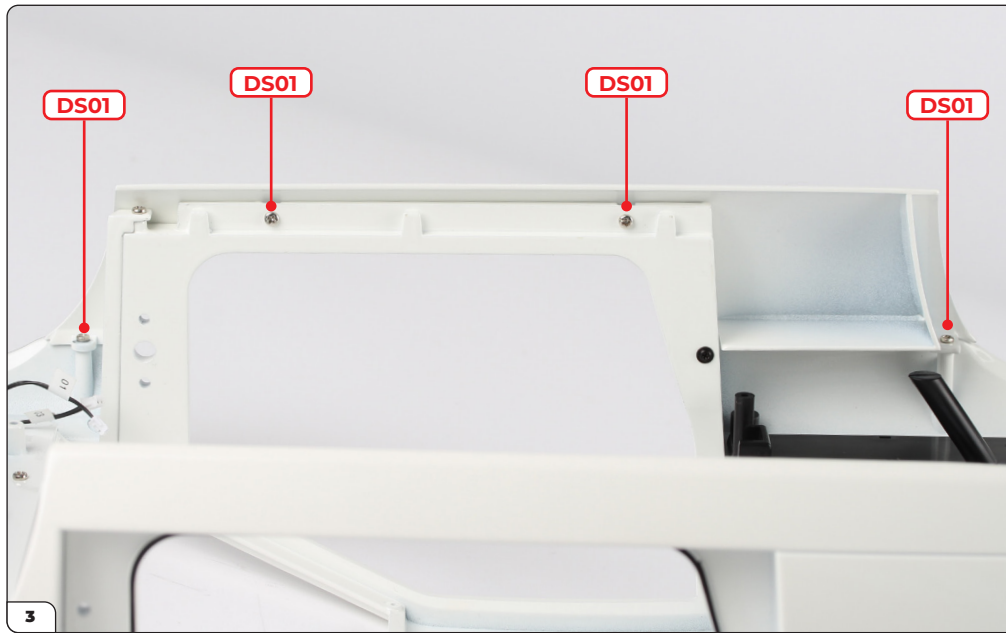


Carefully place the main body (stage 069) upside down, using a soft surface to protect the paintwork. Align the left rocker panel (70-A) with the main body.

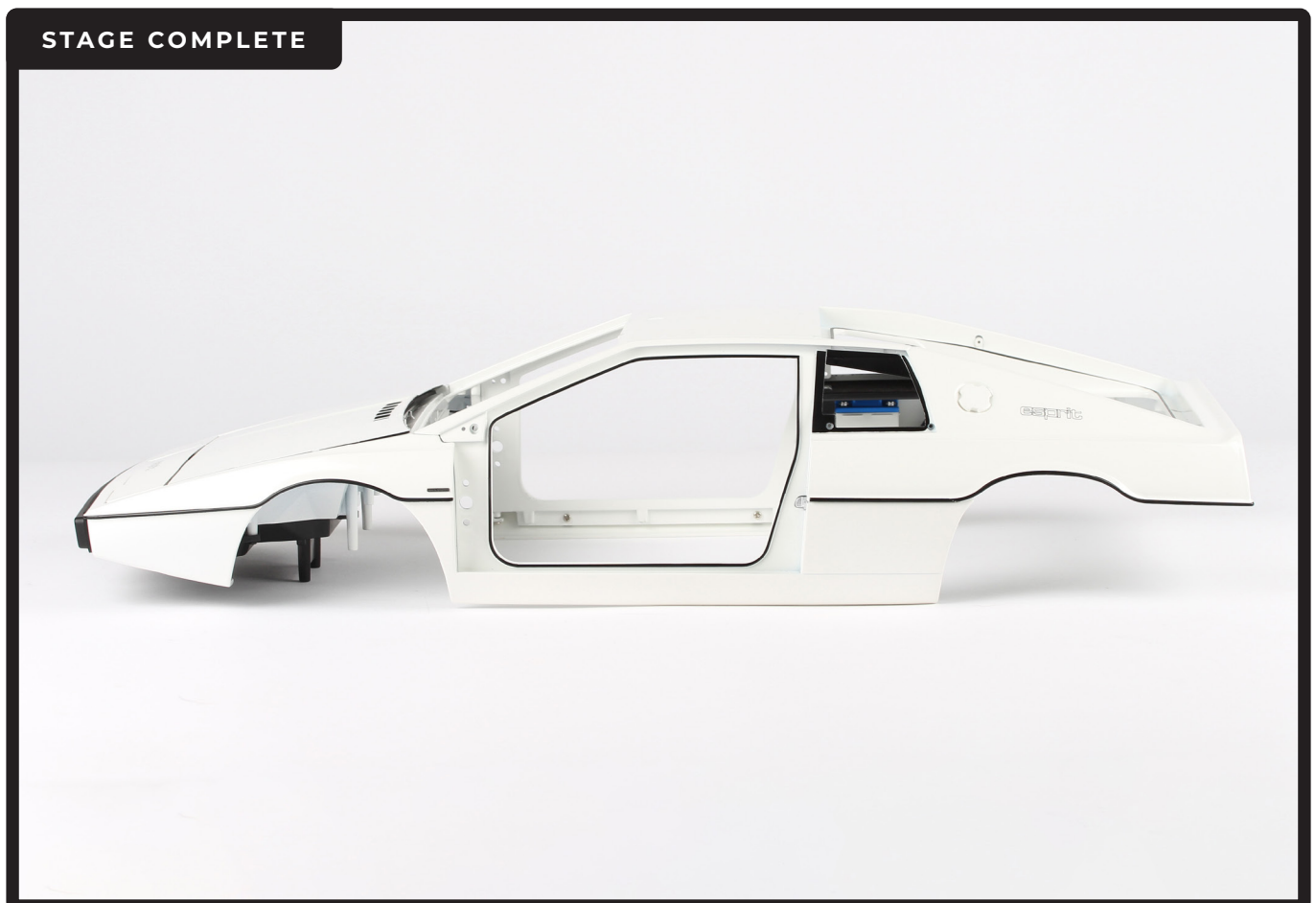


Push the left rocker panel into place.

## Stage 070: Attaching the Left Rocker Panel

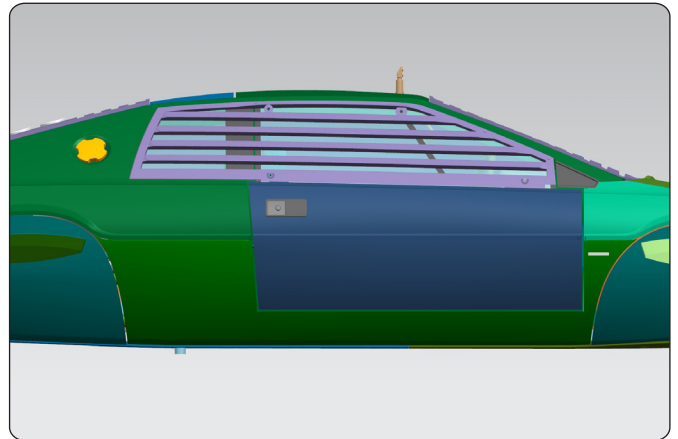


Screw the rocker panel to the main body with 4x DS01 screws.



# Stage 071: Attaching the Right Window Louvres and the Right Door

In this stage you'll attach the right window louvres to the right door then secure the right door to the main body.



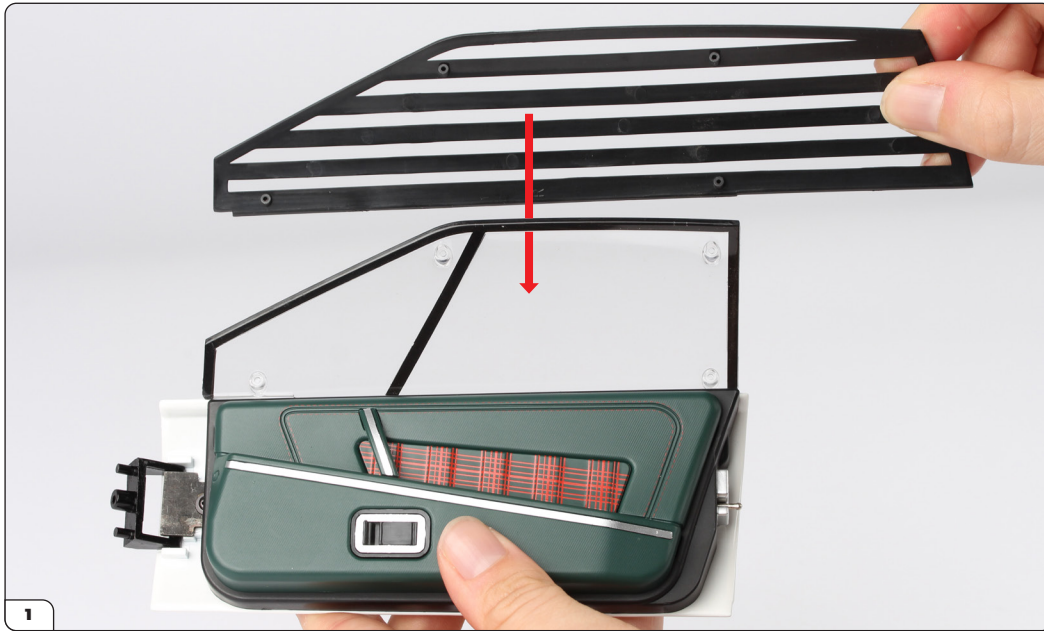
## STAGE 071 PARTS LIST

Name
71-A Right window louvres
71-B Right panel
DS12 screws x2
PS05 screws x2
PS26 screws x5





## Stage 071: Attaching the Right Window Louvres and the Right Door

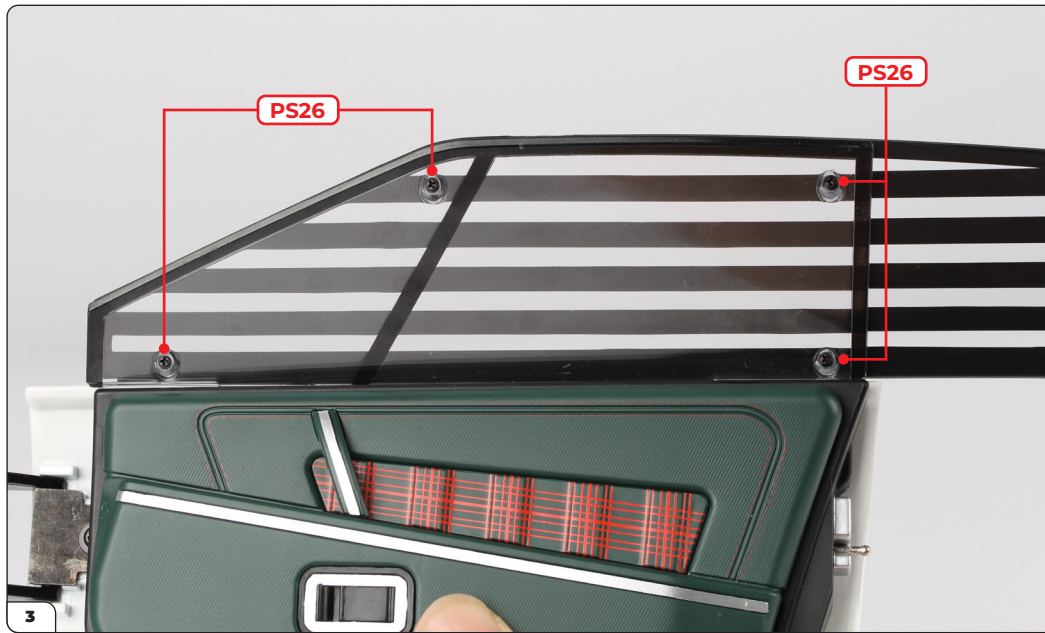


Align the right window louvres (71-A) with the right door (stage 006).



Push the window louvres onto the right door window. Check that the screw posts (circled) are firmly in place.

## Stage 071: Attaching the Right Window Louvres and the Right Door



Screw the parts together with 4x PS26 screws.

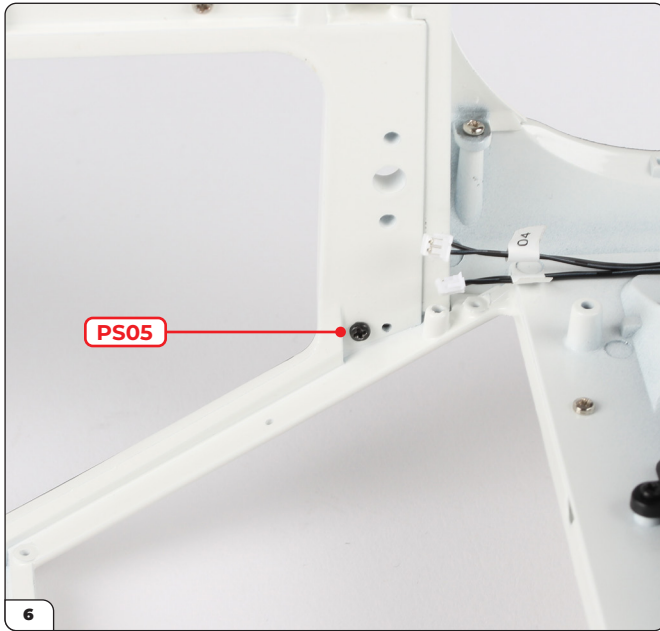


Align the right panel (71-B) with the main body.



Push the right panel in place.

## Stage 071: Attaching the Right Window Louvres and the Right Door



Screw the right panel to the main body with a PS05 screw.



Align the right door with the main body.



Push the door hinge into the main body then close the door as shown.



Screw the door to the main body with a DS12 screw. Make sure the screw is tight.

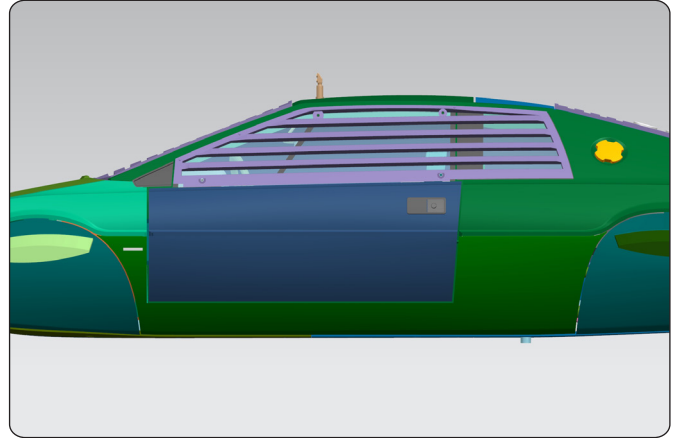
## Stage 071: Attaching the Right Window Louvres and the Right Door

STAGE COMPLETE



## Stage 072: Attaching the Left Window Louvres and the Left Door

Next you'll attach the left window louvres and secure the left door to the main body.



### STAGE 072 PARTS LIST

Name
72-A Left window louvres
72-B Left panel
PS05 screws x2
DS12 screws x2
PS26 screws x5



## Stage 072: Attaching the Left Window Louvres and the Left Door

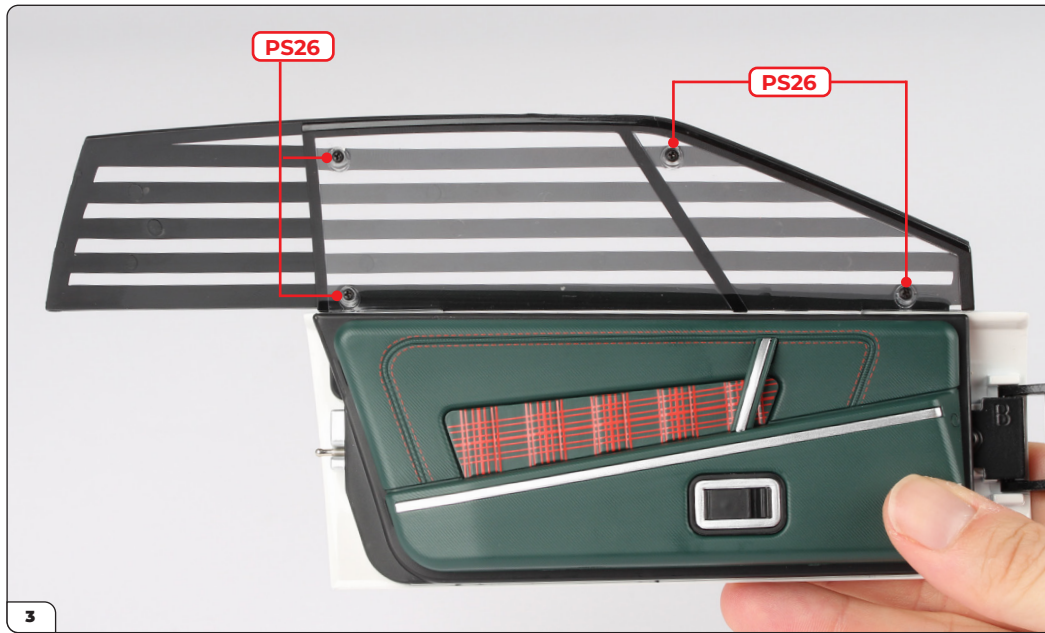


Align the left window louvres (72-A) with the left door (stage 054).



Push the window louvres onto the left door window. Check that the screw posts (circled) are firmly in place.

## Stage 072: Attaching the Left Window Louvres and the Left Door



Screw the parts together with 4x PS26 screws.

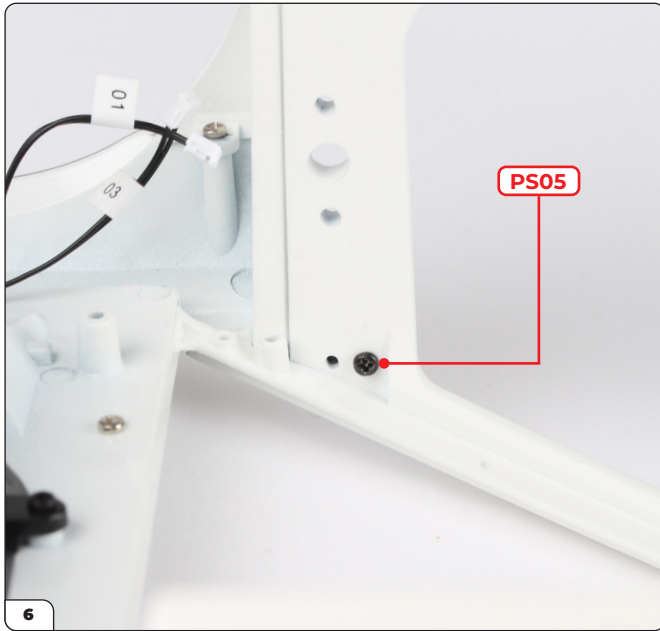


Align the left panel (72-B) with the main body.

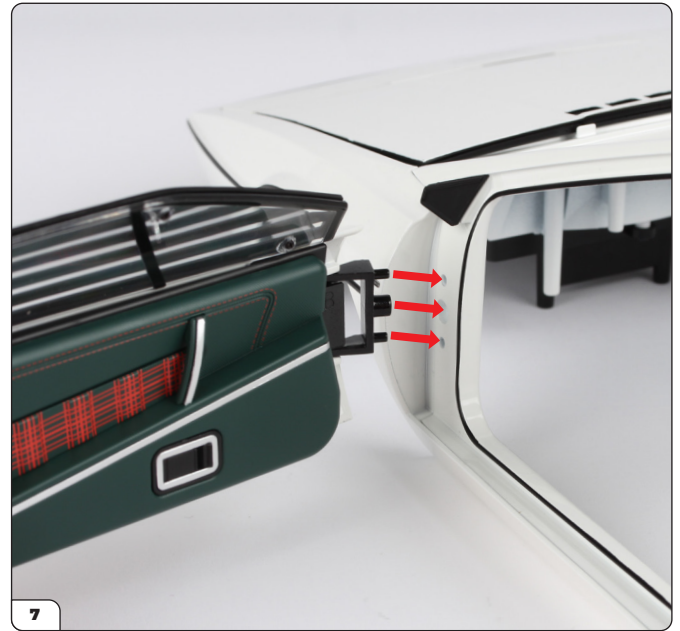


Push the left panel in place.

## Stage 072: Attaching the Left Window Louvres and the Left Door



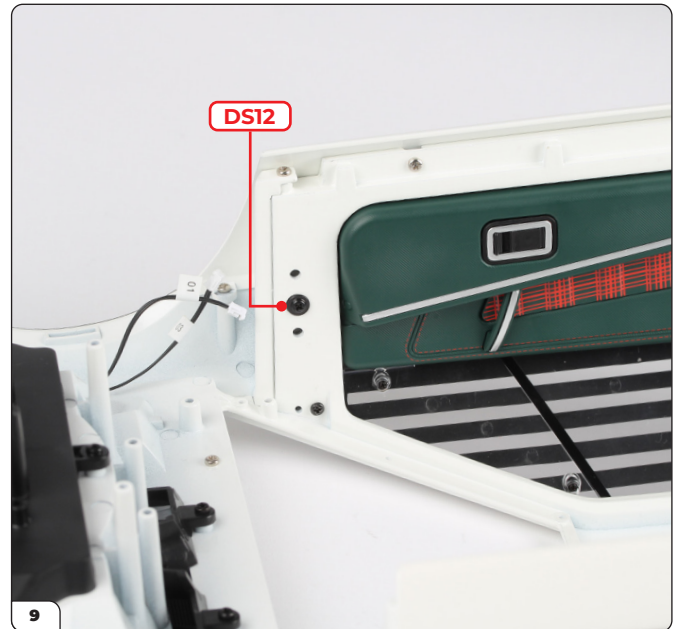
Screw the left panel to the main body with a PS05 screw.



Align the left door with the main body.



Push the door hinge into the main body then close the door as shown.



Screw the door to the main body with a DS12 screw. Make sure the screw is tight.



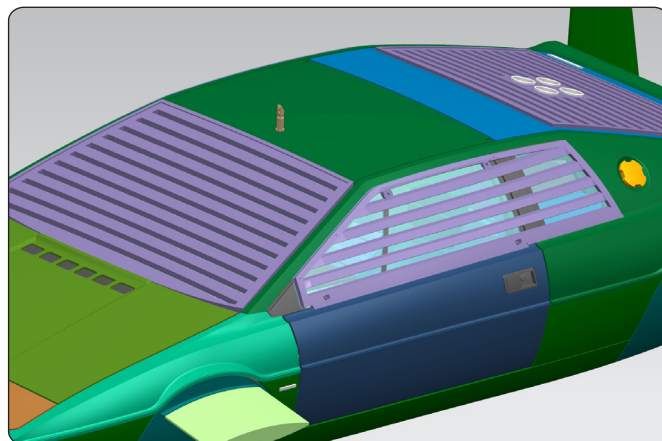
## Stage 072: Attaching the Left Window Louvres and the Left Door

STAGE COMPLETE



## Stage 073: Fitting the Quarter Windows

In this stage you'll build the left and right quarter windows then fit them to the main body.



### STAGE 073 PARTS LIST

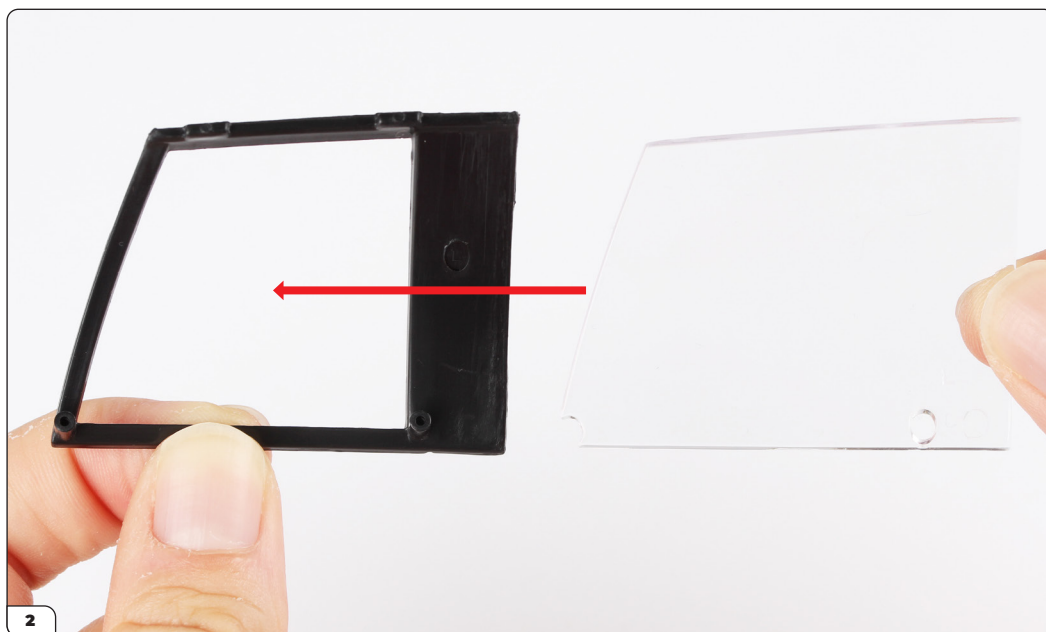
Name
73-A Right quarter frame
73-B Right quarter window
73-C Left quarter frame
73-D Left quarter window
PS21 screws x5



## Stage 073: Fitting the Quarter Windows

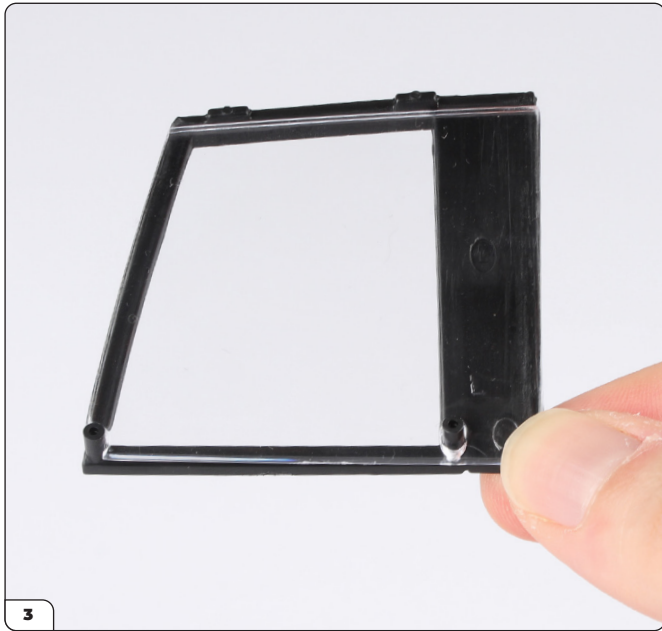


The quarter frames (73-A and 73-C) and windows (73-B and 73-D) are marked with “L” and “R” (circled) to identify the left and right parts.



Align the left quarter window (73-D) with the left quarter frame (73-C).

## Stage 073: Fitting the Quarter Windows



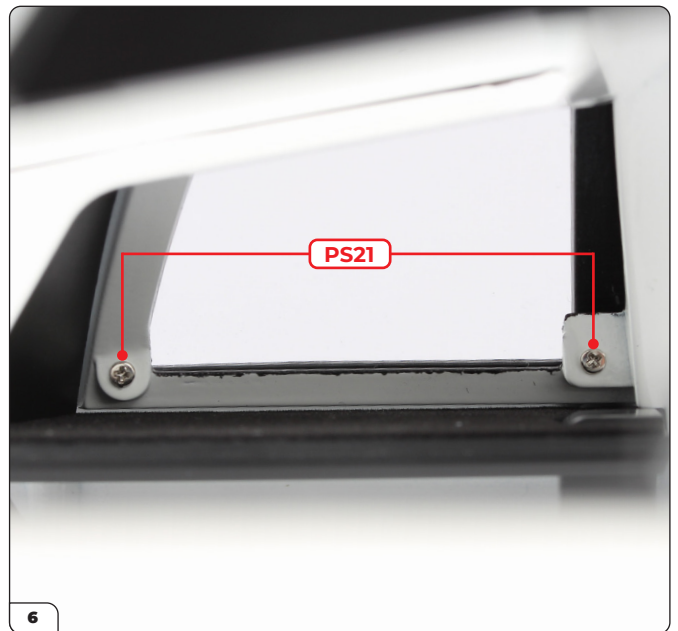
Press the window onto the frame.



Take the main body and open the left door. Align the two tabs on the top of the frame with the main body.

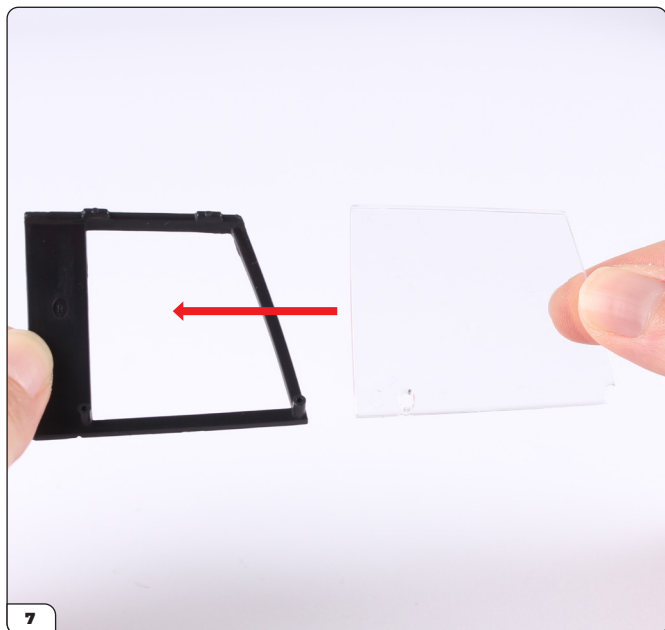


Push the tabs in place then press the quarter frame into the main body.



Screw the quarter frame to the main body using 2x PS21 screws.

## Stage 073: Fitting the Quarter Windows



Align the right quarter window (73-B) with the right quarter frame (73-A).



Press the window onto the frame.

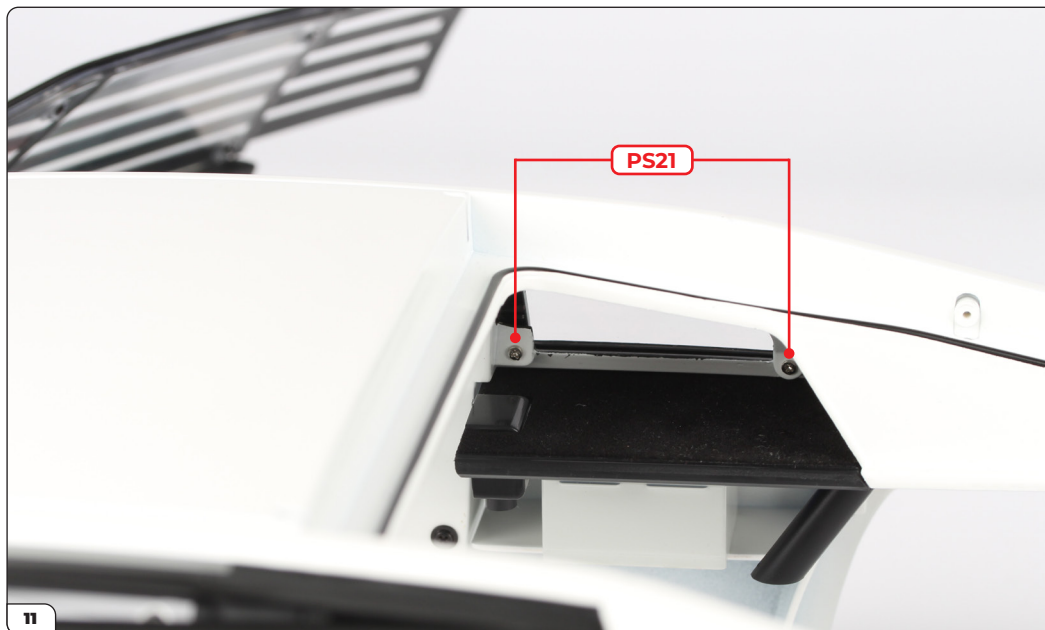


Open the right door. Align the two tabs on the top of the frame with the main body.

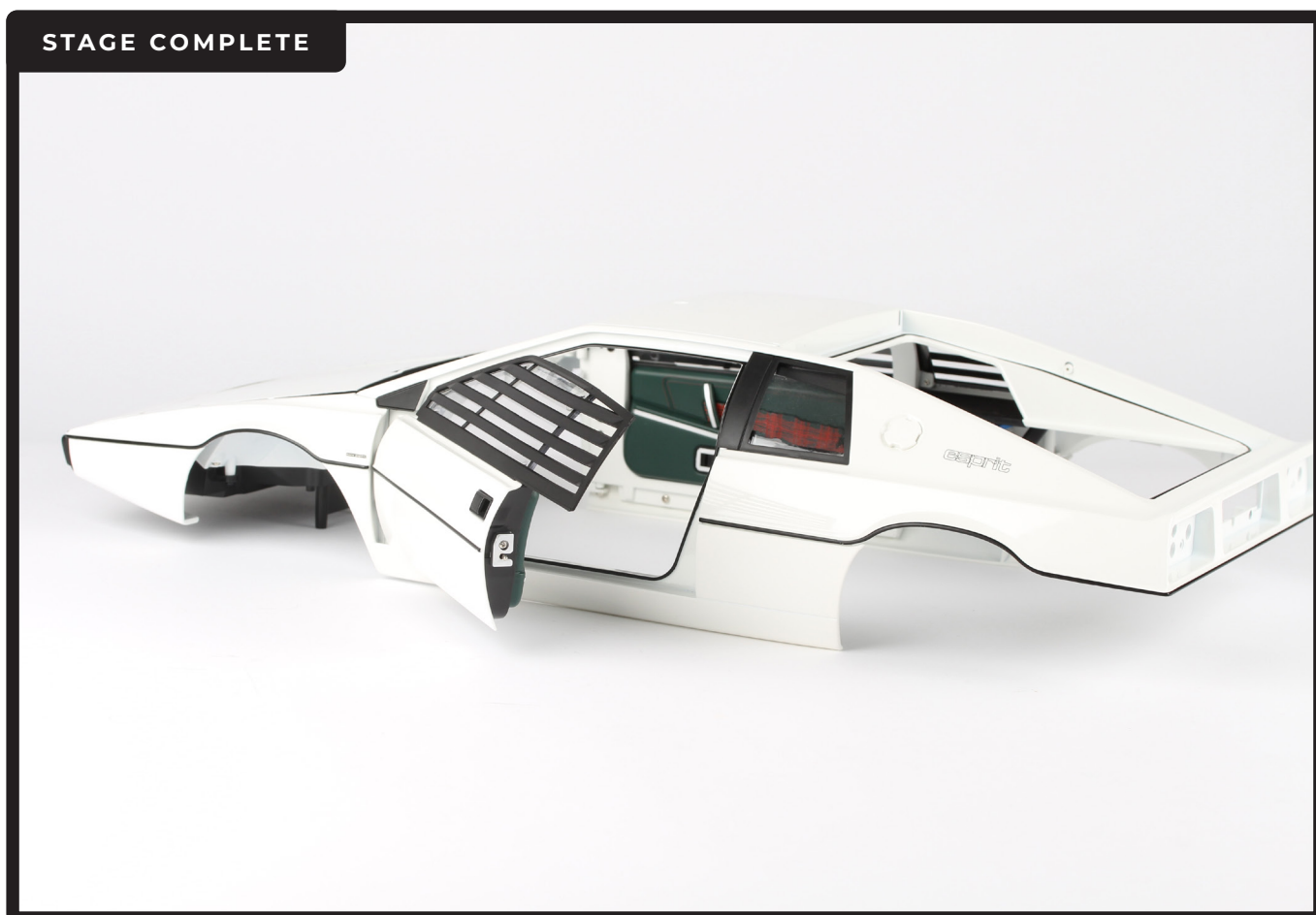


Push the tabs in place then press the quarter frame into the main body.

## Stage 073: Fitting the Quarter Windows

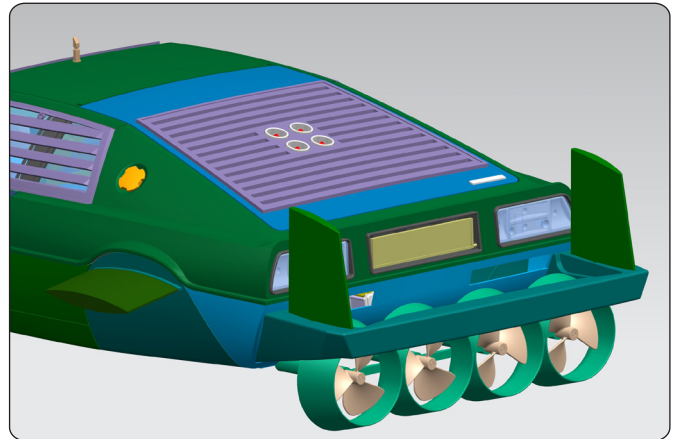


Screw the quarter frame to the main body using 2x PS21 screws.



## Stage 074: Preparing the Tailgate Panel

In this stage you'll add the 1973 Constructors Champion badge to the tailgate panel.

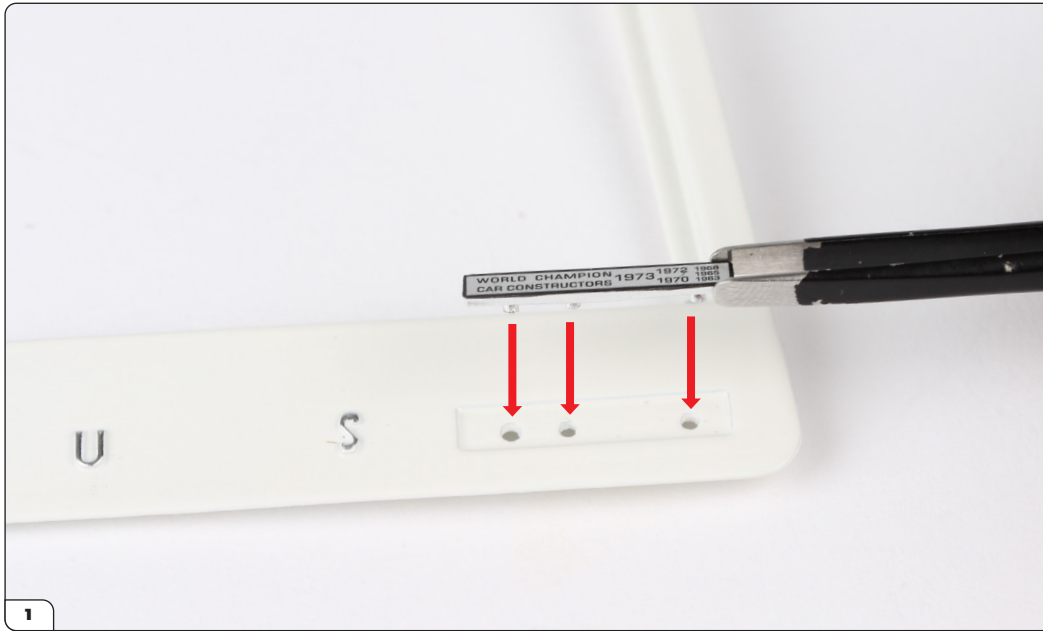


### STAGE 074 PARTS LIST

Name
74-A Tailgate panel
74-B Constructors Champion badge



## Stage 074: Preparing the Tailgate Panel



Align the Constructors Champion badge (74-B) with the tailgate panel (74-A).



Press the badge firmly into the tailgate panel.



## Stage 074: Preparing the Tailgate Panel

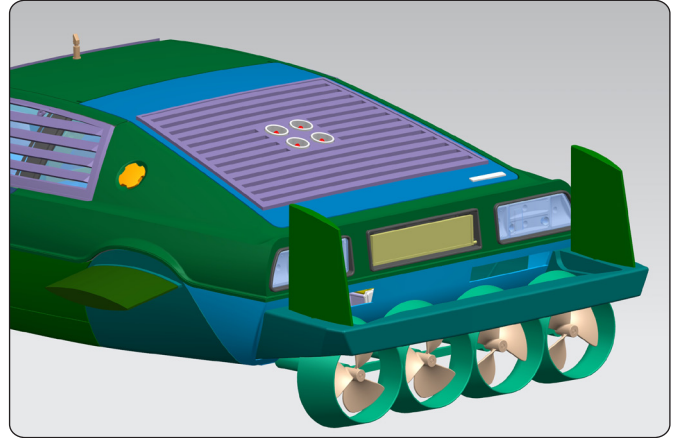
---

STAGE COMPLETE



## Stage 075: Attaching the Tailgate Panel and Hinges

In this stage you'll attach the trim to the tailgate and add the hinges for the tailgate to the main body.

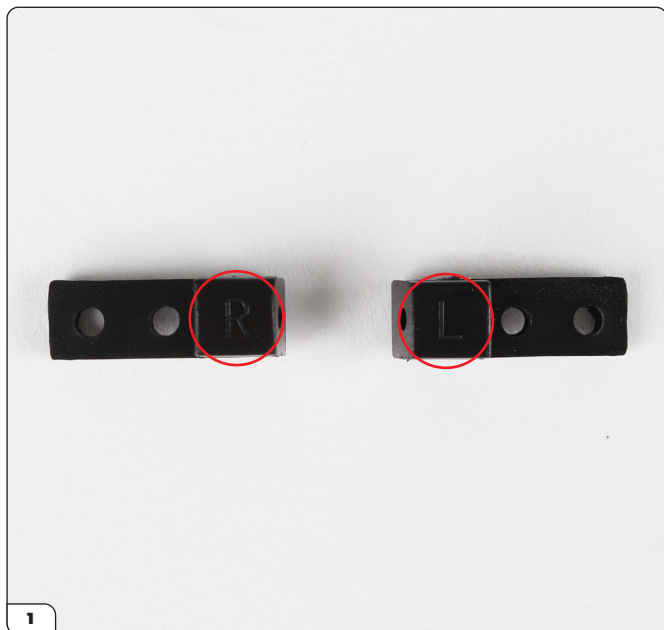


### STAGE 075 PARTS LIST

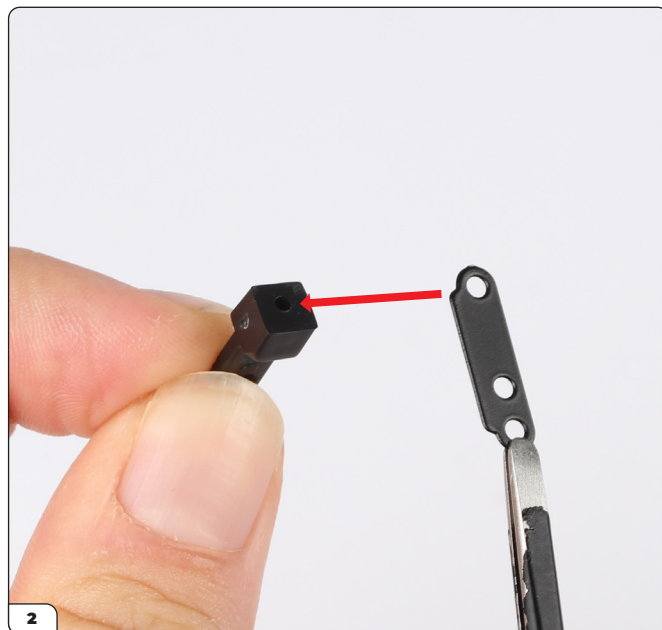
Name
75-A Right tailgate bracket
75-B Left tailgate bracket
75-C Tailgate hinge x2
75-D Tailgate trim
PS09 screws x3
DS20 screws x7



## Stage 075: Attaching the Tailgate Panel and Hinges



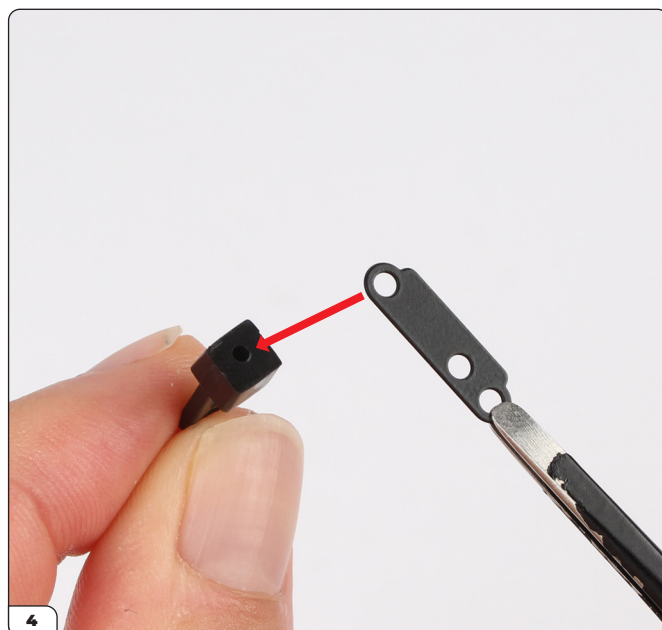
The tailgate brackets are marked with “R” and “L” (circled) to identify the right from the left.



Align a tailgate hinge (75-C) with the left tailgate bracket (75-B) as shown.



Place the hinge on the bracket and screw the parts together with a PS09 screw. Make sure the screw is tightened.



Align the other tailgate hinge (75-C) with the right tailgate bracket (75-A) as shown.

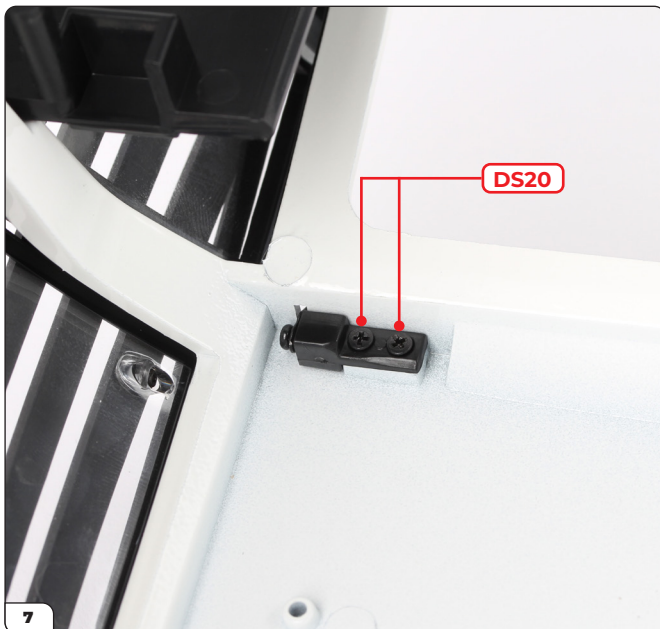
## Stage 075: Attaching the Tailgate Panel and Hinges



Place the hinge on the bracket and screw the parts together with a PS09 screw. Make sure the screw is tightened.



Carefully place the main body (stage 074) upside down. Align the left tailgate bracket (marked "L") and hinge with the main body.

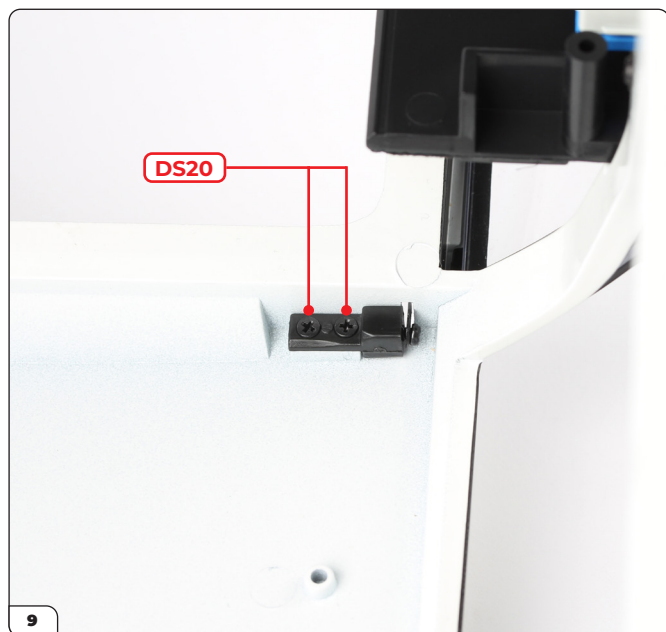


Push the hinge through the opening then place the bracket and screw it to the main body with 2x DS20 screws.



Align the right tailgate bracket (marked "R") and hinge with the main body.

## Stage 075: Attaching the Tailgate Panel and Hinges



Push the hinge through the opening then place the bracket and screw it to the main body with 2x DS20 screws.



Align the tailgate trim (75-D) with the tailgate panel (stage 074).



Push the tailgate trim in place and screw it to the tailgate panel with 2x DS20 screws.

## Stage 075: Attaching the Tailgate Panel and Hinges

STAGE COMPLETE

