

1 9 6 5

SHELBY COBRA

427 SEMI-COMPETITION

1:8 SCALE



Pack 03 | Build Instructions

In the 1960s, Carroll Shelby's Cobras dominated racetracks worldwide, first winning races coast to coast across North America, then in 1965, winning the World Manufacturer's GT Championship, achieving the ultimate goal of defeating Ferrari. The Semi-Competitions were modified from full competition models just enough to make them street legal. Only 29 models were produced, making them one of the most sought-after American sports cars by collectors.

Your 1:8 model replicates the original 1965 Semi-Competition Cobra in intricate detail. From the detail on the dashboard dials to the writing on the wheels, every piece is precisely reproduced.

In your 03 model pack, you will start to assemble the chassis and the right front wheel :

**STAGE 16: LEFT LATERAL CHASSIS MAIN
FRAME BOTTOM SECTION**

Cross-members 3 & 4 bottom section

**STAGE 17: RIGHT LATERAL CHASSIS MAIN
FRAME BOTTOM SECTION**

Cross-members 1 & 2 bottom section

STAGE 18: FRONT SUSPENSION SUPPORT

Cross-member No. 4 Top, Left Horn, Right Horn

**STAGE 19: LEFT LATERAL CHASSIS MAIN
FRAME TOP SECTION**

**STAGE 20: RIGHT LATERAL CHASSIS MAIN
FRAME TOP SECTION**

Cross-members 2 & 3 bottom top section

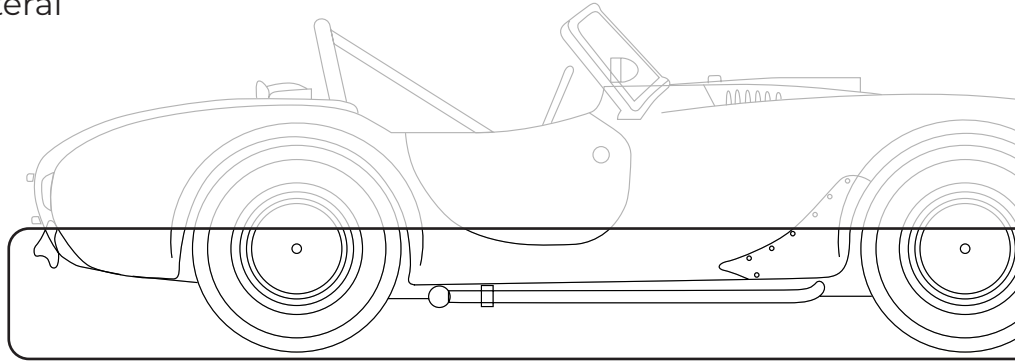
**STAGE 21: REAR CHASSIS PART &
WISHBONE MOUNTING**

**STAGE 22: FRONT RIGHT WHEEL & OUTER
WHEEL RIM**

STAGE 23: TIRE & INNER RIM

Stage 16: Left Lateral Chassis Main Frame Bottom Section

In stage 16, you will start to fix the cross-members to the left lateral main frame.



STAGE 16 PARTS LIST

Name	Quantity
Left Lateral Chassis Main Frame Bottom ('L')	1
Cross-member No. 3 Bottom	1
Cross-member No. 4 Bottom	1
Screws TYPE OD05	3



Stage 16: Left Lateral Chassis Main Frame Bottom Section

STEP 1

ATTACH CROSS-MEMBER NO. 4

Take the Main Frame section and align the projecting screw hole (marked No. 4 at one end) with the screw hole on Cross-member No. 4. Fix together using a TYPE OD05 screw.



EXPERT TIP

Note: When constructing the Cross-members on the chassis, check you have the part number printed on the reverse of each component in the correct orientation. i.e. upright.



STEP 2

ATTACH CROSS-MEMBER NO. 3

Next, align the screw hole marked No. 3 on the Main Frame section with Cross-member No. 3 in the position shown. Fix together using a TYPE OD05 screw.



EXPERT TIP

Adding a drop of oil or similar lubricant to the screw holes in the chassis will make it easier to fully tighten the screws.



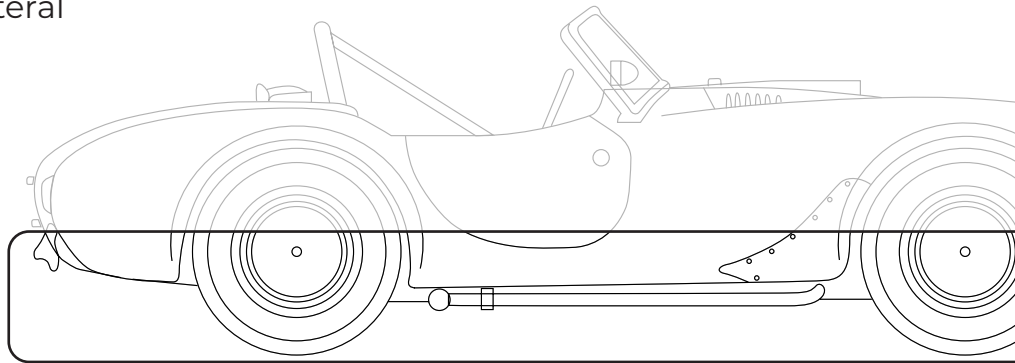
Stage 16: Left Lateral Chassis Main Frame Bottom Section

Stage 16 complete!



Stage 17: Right Lateral Chassis Main Frame Bottom Section

In stage 17 you will continue to fix the cross-members to the lateral main frame.



STAGE 17 PARTS LIST

Name	Quantity
Right Lateral Chassis Main Frame Bottom 'R'	1
Cross-member No. 1 Bottom	1
Cross-member No. 2 Bottom	1
Screws TYPE OD05	7



Stage 17: Right Lateral Chassis Main Frame Bottom Section

STEP 1

ATTACH CROSS-MEMBER NO. 2

Take the **Left** ('L') Lateral Chassis Main Frame from stage 16 once again and align the projecting screw hole marked No. 2 with Cross-member No. 2.

THIS PART MUST BE FIXED IN THE ORIENTATION SHOWN, WITH THE MIDDLE SCREW HOLES SLIGHTLY OFFSET towards the front of the chassis, as indicated by the inset picture. Fix together using a TYPE OD05 screw.



STEP 2

ATTACH CROSS-MEMBER NO. 1

Align screw hole No. 1 on the Left Main Frame with Cross-member No. 1 in the same way. Fix in place using a TYPE OD05 screw.



Stage 17: Right Lateral Chassis Main Frame Bottom Section

STEP 3

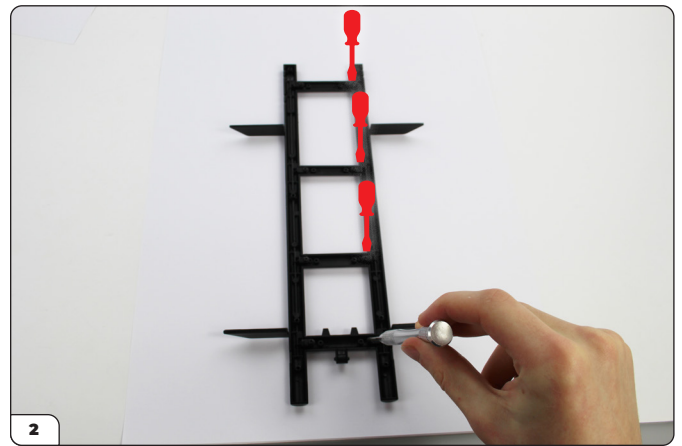
ATTACH THE RIGHT LATERAL MAIN FRAME TO THE CROSS-MEMBERS

Next, take the Right Lateral Chassis Main Frame and align the four projecting screw holes with the free ends of each of the four Cross-members. Fix in place using 4 x TYPE OD05 screws.



EXPERT TIP

If cross member No. 2 doesn't fit easily, check you have it in the correct orientation. The numbers marked on the reverse side should be upright. If necessary, remove it and fit the other way round.

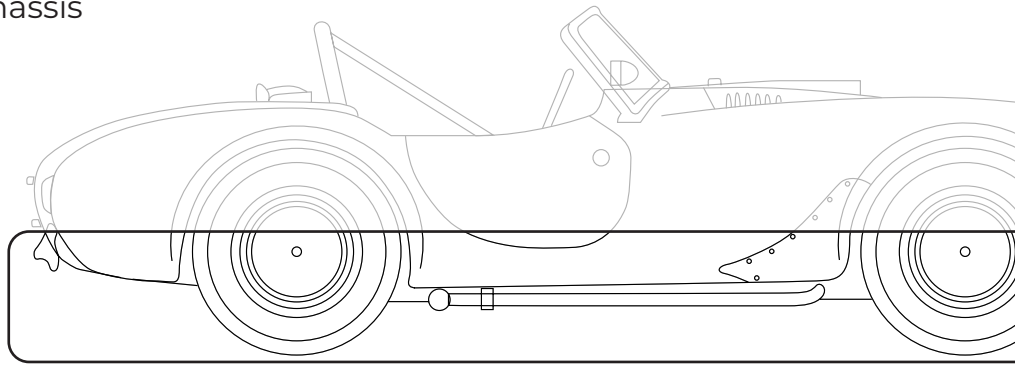


Stage 17 complete!



Stage 18: Front Suspension Support

In stage 18, you will add the front suspension support to the chassis main frame.



STAGE 18 PARTS LIST

Name	Quantity
Front Suspension Support	1
Cross-member Support No. 4 Top	1
Left Horn	1
Right Horn	1
Screws TYPE OD05	7

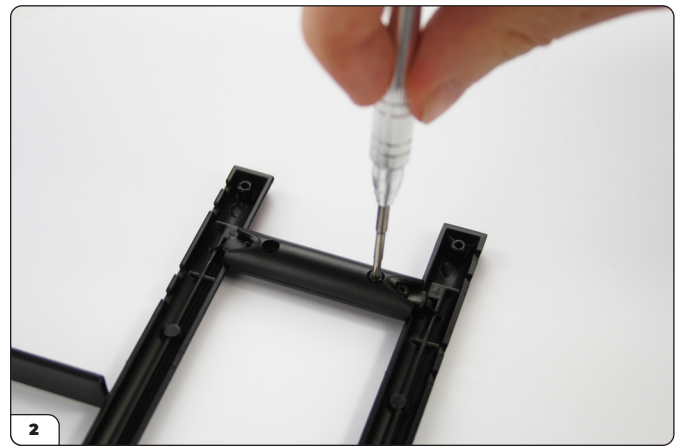


Stage 18: Front Suspension Support

STEP 1

ATTACH CROSS-MEMBER NO. 4 TOP

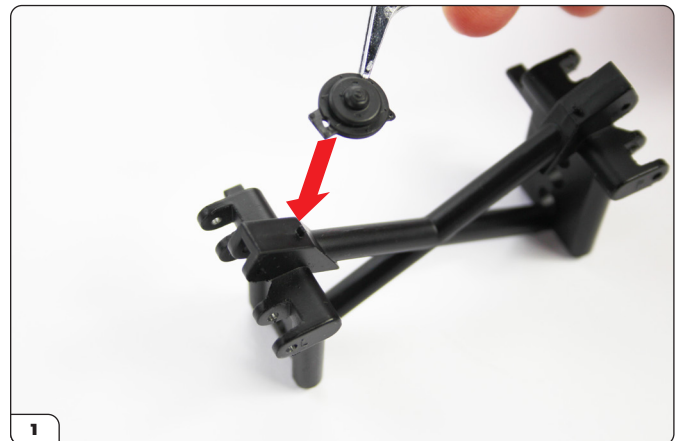
Take Cross-member No 4 Top and check the orientation of the number '4' is upright (matching the number on the chassis). Position it on top of Cross-member No. 4 bottom. Fix together using 2 x TYPE OD05 screws.



STEP 2

ATTACH THE HORNS

Take the Front Suspension Support and note there is a left 'L' and a right 'R' side. Note that there is also a left and a right horn, marked L and R. Push the tiny hole on the Left Horn over the lug on the left side of the Suspension Support. Push the tiny hole on Right Horn over the lug on the right side of the Suspension Support. Note: there is only one way to fit the horns, determined by the shape.



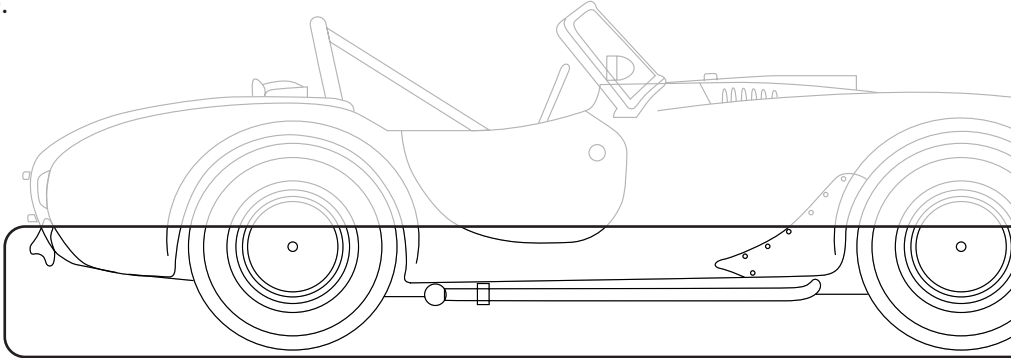
Stage 18: Front Suspension Support

Stage 18 complete!



Stage 19: Left Lateral Chassis Main Frame Top Section

In stage 19, you will continue to build the chassis main frame.



STAGE 19 PARTS LIST

Name	Quantity
Left Lateral Chassis Main Frame Top	1
Screws TYPE OD05	3

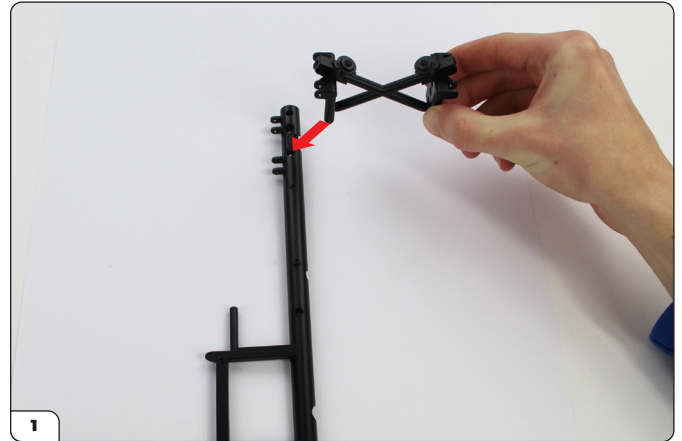


Stage 19: Left Lateral Chassis Main Frame Top Section

STEP 1

ATTACH THE FRONT SUSPENSION SUPPORT TO THE LEFT LATERAL CHASSIS MAIN FRAME TOP SECTION

Take the Lateral Chassis Main Frame Top and place it on your work surface with the rounded side facing upwards. Mount the left side of the Front Suspension Support from stage 18 in the recessed screw holes. Fix together using 2 x OD05 screws.

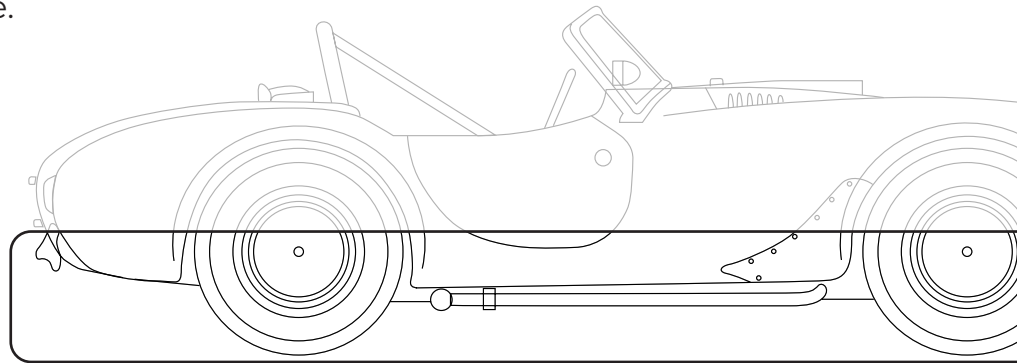


Stage 19 complete!



Stage 20: Right Lateral Chassis Main Frame Top Section

In stage 20, you will continue to build the chassis main frame.



STAGE 20 PARTS LIST

Name	Quantity
Right Lateral Chassis Main Frame Top	1
Cross-member No. 3 Top	1
Cross-member No. 2 Top	1
Screws TYPE OD05	13

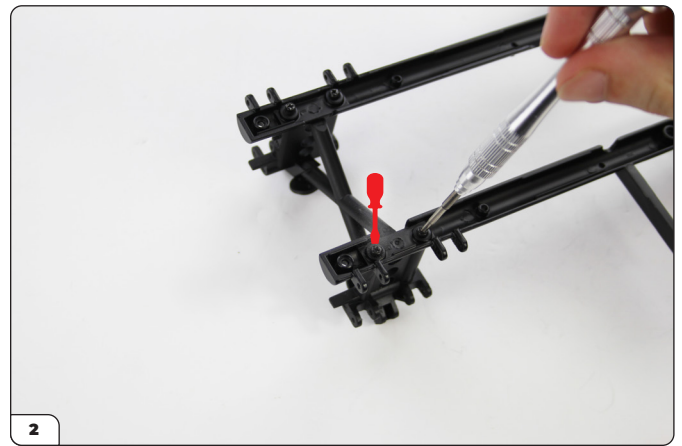


Stage 20: Right Lateral Chassis Main Frame Top Section

STEP 1

ATTACH THE FRONT SUSPENSION SUPPORT TO THE RIGHT LATERAL CHASSIS MAIN FRAME

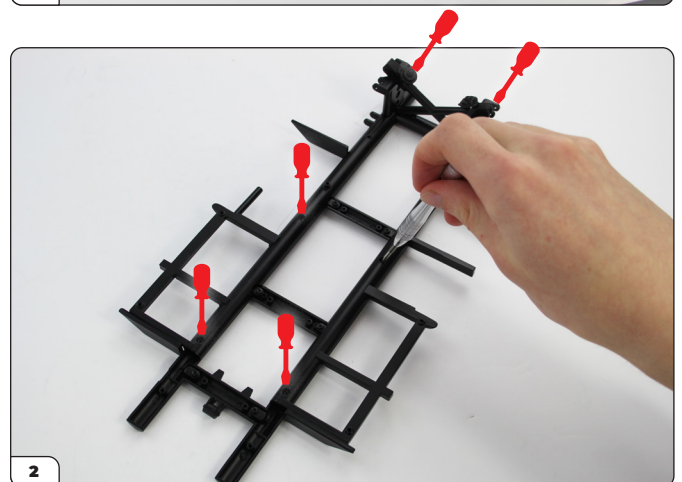
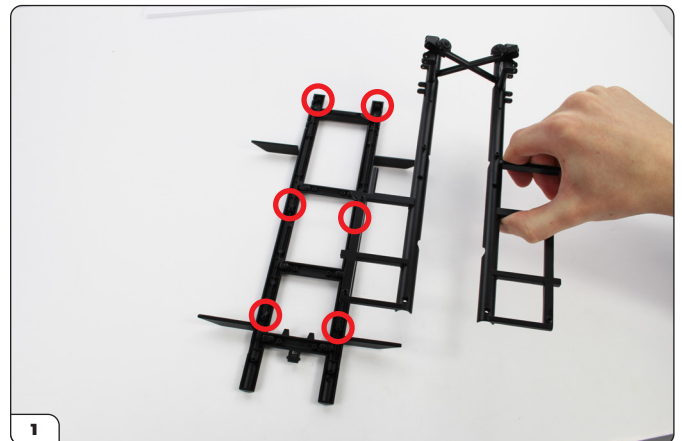
Mount the right side of the Front Suspension Support onto the Right Lateral Chassis Main Frame as shown. Fix in place using 2 x TYPE OD05 screws.



STEP 2

ATTACH THE TOP AND BOTTOM SECTIONS OF THE MAIN FRAME TOGETHER

Lower the assembly from step 1 on top of the chassis assembly from stage 17, locating the screw holes correctly (circled in red). Fix together using 6 x TYPE OD06 screws.

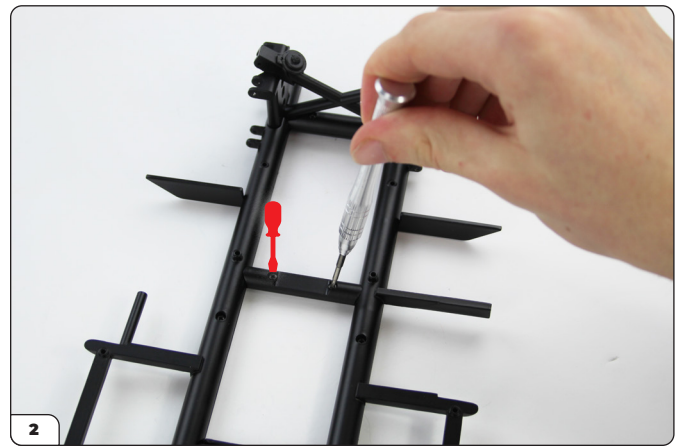
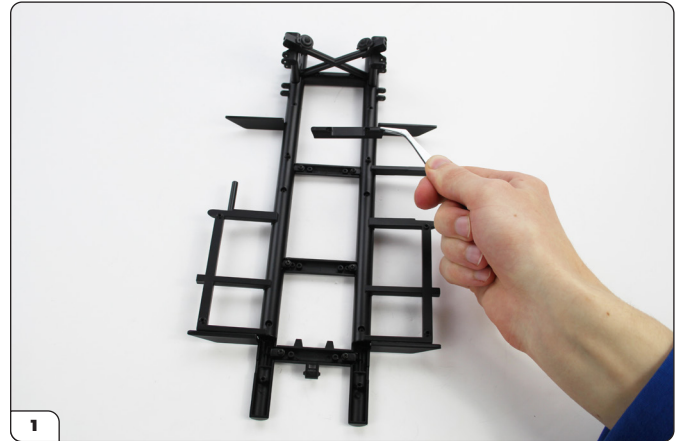


Stage 20: Right Lateral Chassis Main Frame Top Section

STEP 3

ATTACH CROSS-MEMBER NO. 3 TOP

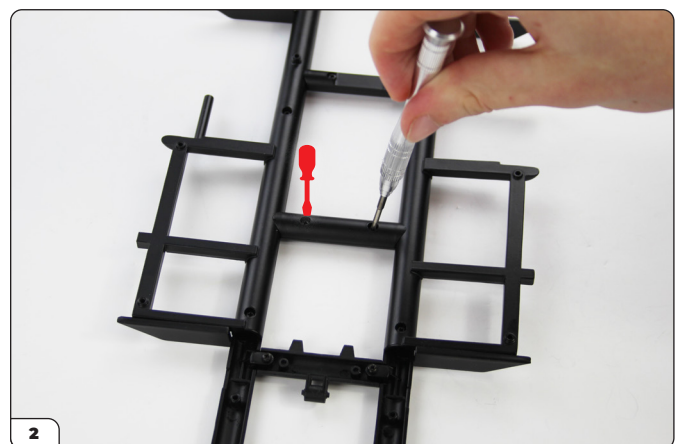
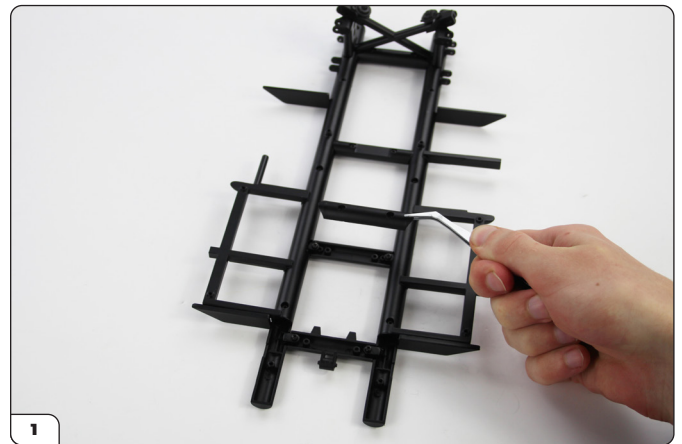
Align Cross-member No. 3 Top over Cross-member No. 3 Bottom (check the orientation of the number mark on the underside). Fix in place with 2 x TYPE OD05 screws.



STEP 4

ATTACH CROSS-MEMBER NO. 2 TOP

Repeat in the same way to attach the Cross-member No. 2 Top.



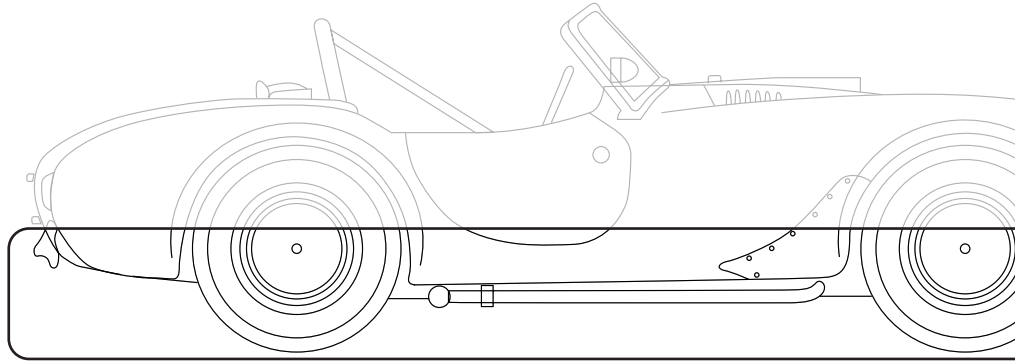
Stage 20: Right Lateral Chassis Main Frame Top Section

Stage 20 complete!



Stage 21: Rear Chassis Part & Wishbone Mounting

In stage 21, you will attach the rear chassis part and the wishbone mounting to the chassis main frame.



STAGE 21 PARTS LIST

Name	Quantity
Rear Suspension Wishbone Mounting	1
Rear Chassis Part	1
Screws TYPE OD05	9

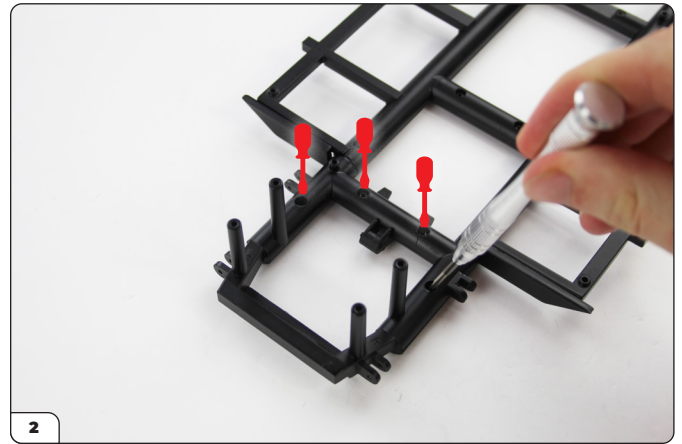
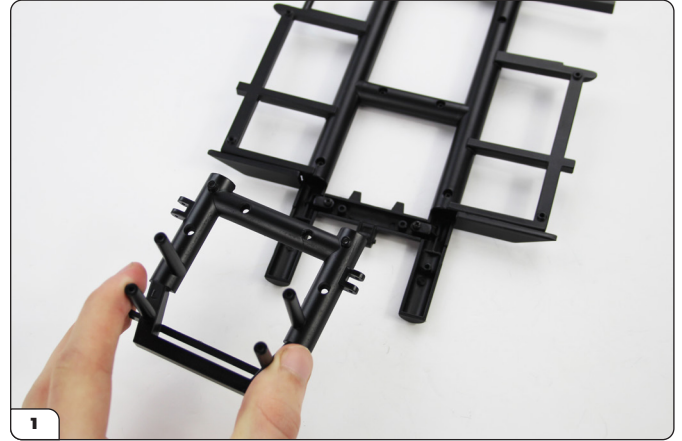


Stage 21: Rear Chassis Part & Wishbone Mounting

STEP 1

ATTACH THE REAR CHASSIS PART TO THE CHASSIS ASSEMBLY

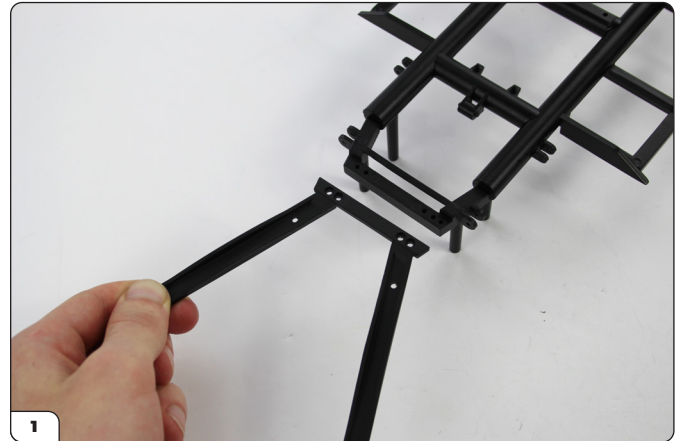
Place the Rear Chassis Part on top of the assembly as shown. Fix together using 4 x TYPE OD05 screws.



STEP 2

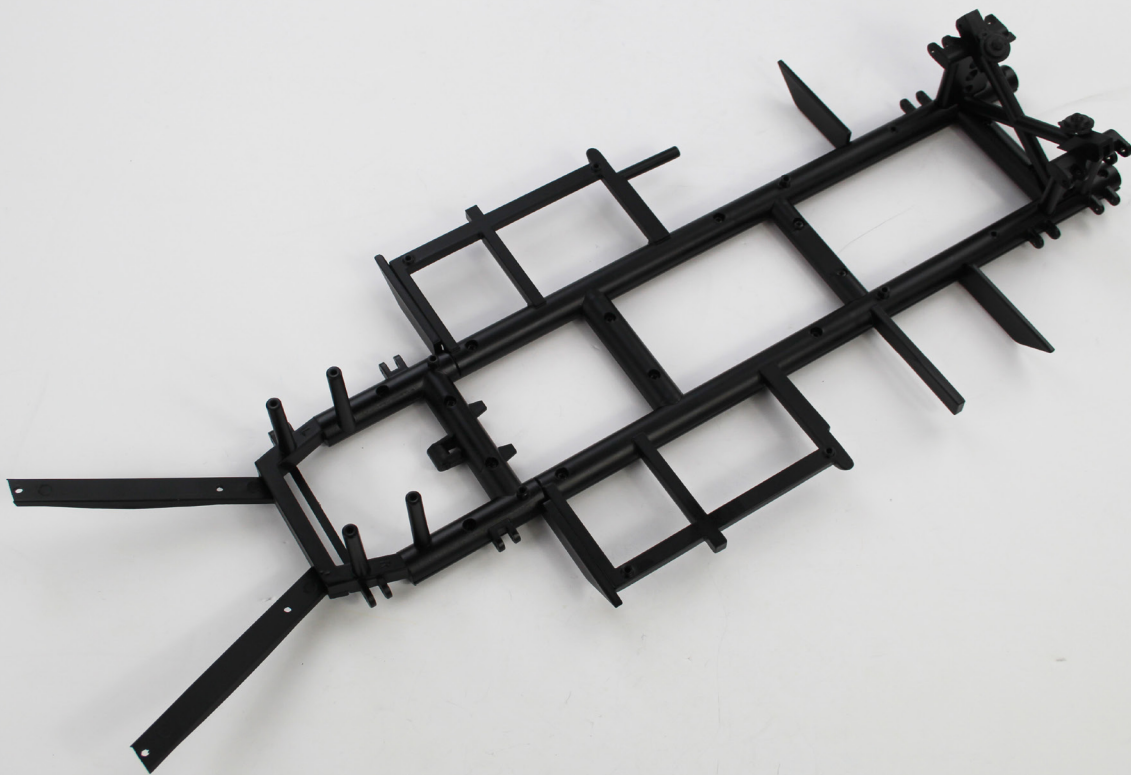
ATTACH THE WISHBONE MOUNTING

Turn the chassis assembly over. Place the Wishbone Mounting on to the end of the assembly, checking you have it the correct way up (the projecting struts should point down). Fix together using 4 x TYPE OD05 screws.



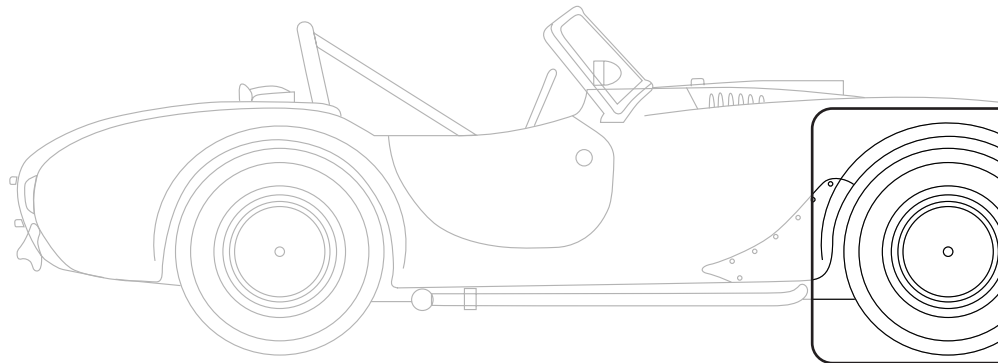
Stage 21: Rear Chassis Part & Wishbone Mounting

Stage 21 complete!



Stage 22: Front Right Wheel & Outer Wheel Rim

In stage 22, you will start to build the front right wheel.



STAGE 22 PARTS LIST

Name	Quantity
Outer Rim	1
Wheel	1
Screws TYPE OP03	5

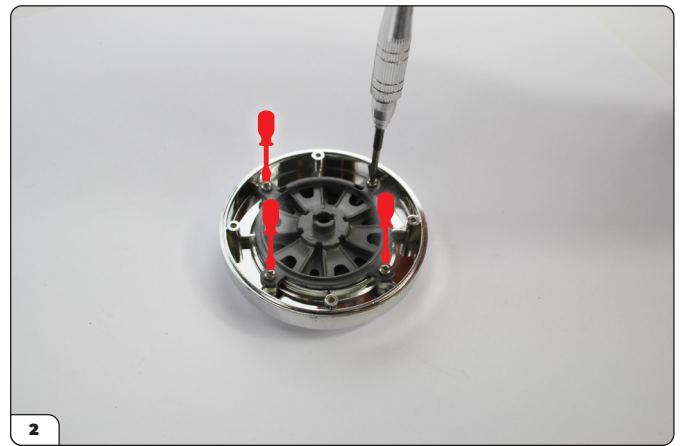


Stage 22: Front Right Wheel & Outer Rim

STEP 1

FIX THE WHEEL TO THE OUTER RIM

Hold the Wheel with the projecting screw holes uppermost. Place the Wheel inside the Outer Rim, aligning the screw holes correctly. The parts should fit flush. Fix together using 4 x TYPE OP03 screws.

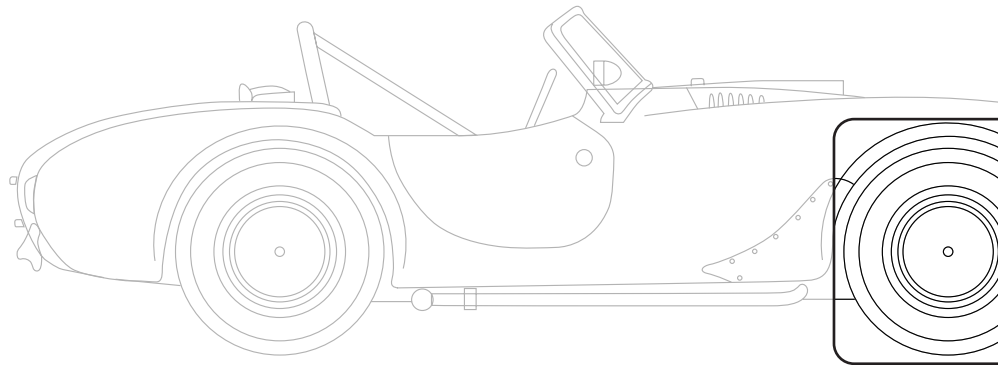


Stage 22 complete!



Stage 23: Tire & Inner Rim

In stage 23, you will continue to build the front right wheel.



STAGE 23 PARTS LIST

Name	Quantity
Tire	1
Inner Rim	1
Screws TYPE OP03	5



Stage 23: Tire & Inner Rim

STEP 1

FIX THE INNER RIM TO THE OUTER RIM

Fit the Inner Rim to the assembly from stage 22.
Secure in place with 4 x TYPE OPO3 screws.



STEP 2

FIT THE TIRE TO THE WHEEL

Soak the Tire in a hot water bath for 5 minutes.
Remove with tweezers and fit the wheel assembly
inside the Tire. Start by pushing the wheel in
horizontally, and then twist vertically, gently
easing it into position inside the Tire.



EXPERT TIP - FITTING TIRES

The tires need to be softened before they can be fitted to the wheels. Do this by placing them in a hot water bath for 5 minutes. The water should be very hot – e.g. from a freshly boiled kettle – so please take care when removing the tire as it will be hot. Have some kitchen roll or a cloth ready to catch the drips when the tire is removed. Act quickly, and have the wheel ready to fit as the tire will cool down quickly.



Stage 23: Tire & Inner Rim

STEP 2

CONTINUED...



Stage 23: Tire & Inner Rim

Stage 23 complete!

