

1 9 6 5

SHELBY COBRA

427 SEMI-COMPETITION

1:8 SCALE



Pack 07 | Build Instructions

In the 1960s, Carroll Shelby's Cobras dominated racetracks worldwide, first winning races coast to coast across North America, then in 1965, winning the World Manufacturer's GT Championship, achieving the ultimate goal of defeating Ferrari. The Semi-Competitions were modified from full competition models just enough to make them street legal. Only 29 models were produced, making them one of the most sought-after American sports cars by collectors.

Your 1:8 model replicates the original 1965 Semi-Competition Cobra in intricate detail. From the detail on the dashboard dials to the writing on the wheels, every piece is precisely reproduced.

In your seventh model pack, you will assemble:

STAGE 49: BUCKET SEAT

**STAGE 50: PASSENGER SEAT
COVER, SEAT BELTS AND
SEAT-BELT HARNESS**

**STAGE 51: BATTERIES, BATTERY CABLES &
CUT-OFF SWITCH**

STAGE 52: DRIVER BUCKET SEAT

STAGE 53: DRIVER SEAT BOTTOM

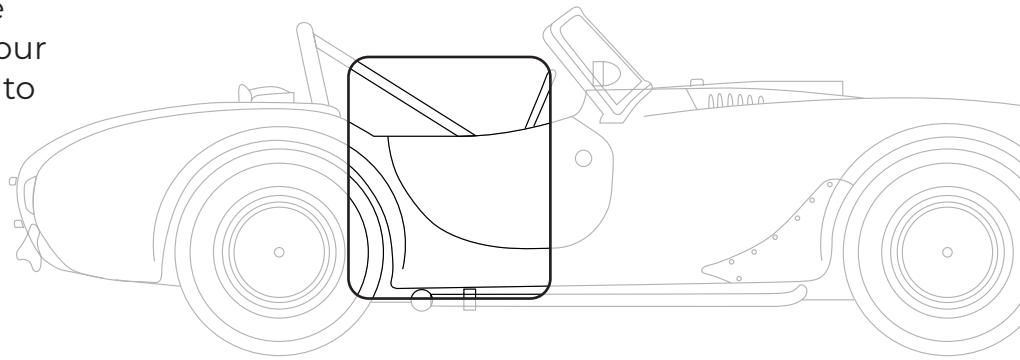
**STAGE 54: DRIVER SEAT COVER, SEAT BELT
AND SEAT-BELT HARNESS**

**STAGE 55: TRUNK BOARD AND
TANK FILLER PIPE**

**STAGE 56: CIRCUIT BOARD AND
ELECTRICAL CABLES**

Stage 49: Bucket Seat

In this first stage of the Shelby Cobra you will start to prepare the passenger seat. Unpack your part and move on to stage 50 to continue the build.



STAGE 49 PARTS LIST

Name	Quantity
Bucket Seat	1



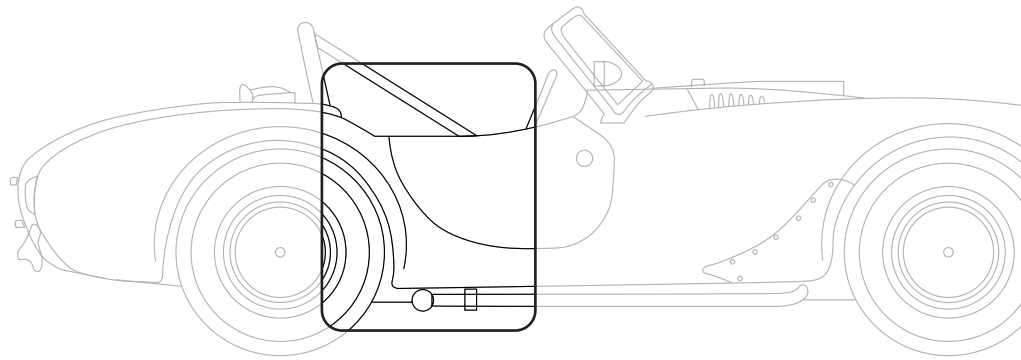
Stage 49: Bucket Seat

Stage 49 complete!



Stage 50: Passenger seat cover, seat belts and seat-belt harness

In stage 50, you will continue to build the passenger seat and seat belt.



STAGE 50 PARTS LIST

Name	Quantity
Seat belt right side	1
Seat belt left side	1
Seat belt harness left side	1
Seat belt harness right side	1
Double-sided sticky tape	1
Seat cover	1
Screws TYPE OP11	3

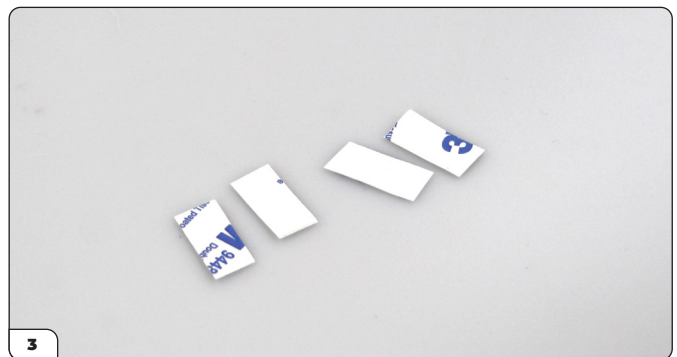
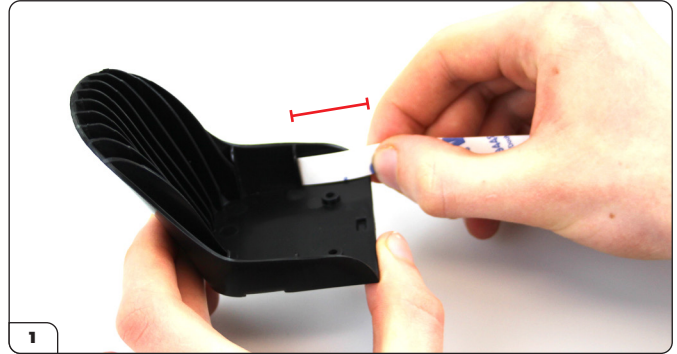


Stage 50: Passenger seat cover, seat belts and seat-belt harness

STEP 1

ATTACH THE SEAT COVER

Measure a length of the Double-Sided Sticky Tape by holding the strip up to the seat from stage 49 as shown. Cut four small strips of equal length. Peel off the backing (a sharp blade might be helpful here) and stick two pieces of tape to the side of the chair.



Stage 50: Passenger seat cover, seat belts and seat-belt harness

CONTINUED...

Stick the remaining two strips on the opposite side, before removing the top backing strips from all four pieces of tape.

Slide the Seat Cover over the Seat and gently press into position at the base of the Seat back. Pull the sides of the cover into place so that the seams run along the edge of the seat, then press the sides over the strips of tape to secure the cover.



ADVICE FROM THE EXPERTS

Practice fitting the seat cover before removing the top backing strips from the tape. The tape will only stick once so it's important that you get it right first time.



Stage 50: Passenger seat cover, seat belts and seat belt harness

STEP 2

ADD THE SEAT BOTTOM

Take the Seat supplied with Stage 03 and push into place as shown. The narrow edge fits at the back of the seat. Fix in place using 2 x OP11 screws.



STEP 3

ATTACH THE SEAT BELTS

Arrange the Left and Right Seat Belts as shown with the seat upside down on your work surface. Push the Right Seat Belt into the recess on the Seat. There is a tiny peg in the recess that fits into the hole on the end of the Seat Belt fixing. It is easy to do this using the tip of a small flat-bladed screwdriver.



Stage 50: Passenger seat cover, seat belts and seat-belt harness

CONTINUED...

Repeat to fix the Left Seat Belt on the underside of the Seat. Turn the Seat the right way up and check that both Seat Belts fasten together.

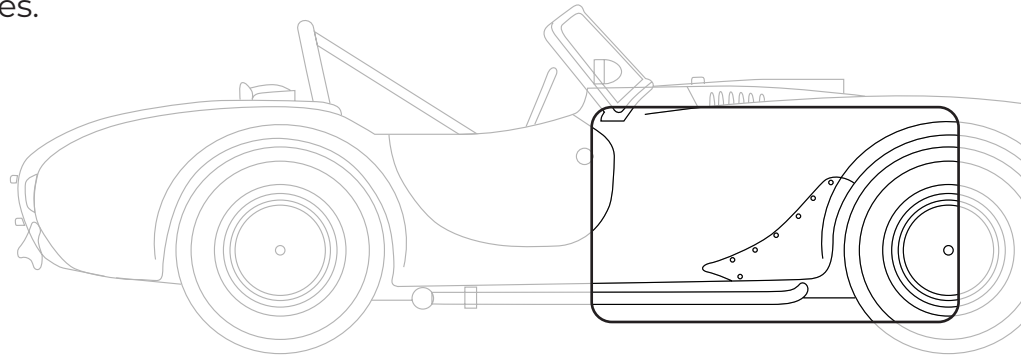


Stage 50 complete!



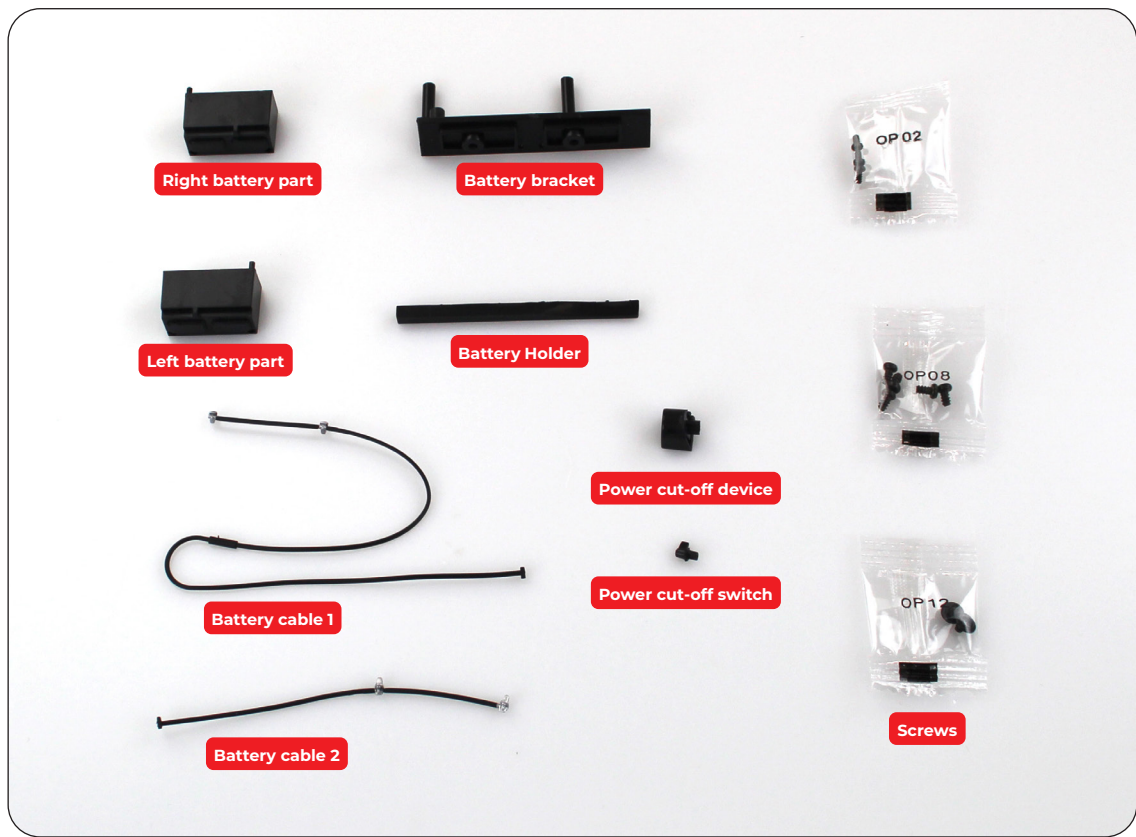
Stage 51: Batteries, battery cables & cut-off switch

In stage 51 you will build and install the batteries and battery cables.



STAGE 51 PARTS LIST

Name	Quantity
Battery bracket	1
Left battery part	1
Right battery part	1
Battery cable 1	1
Battery cable 2	1
Battery holder	1
Power cut-off device	1
Power cut-off switch	1
Screw TYPE OP02	3
Screw TYPE OP08	5
Screw TYPE OP12	2



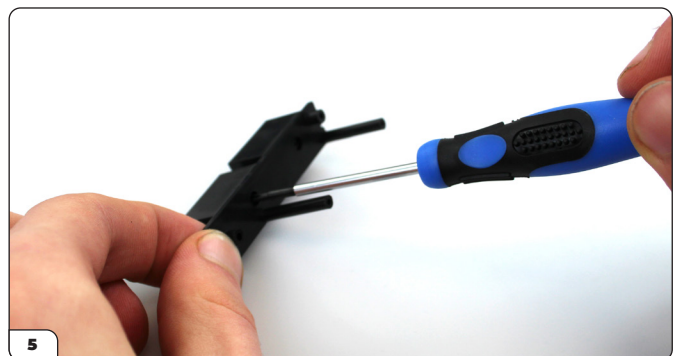
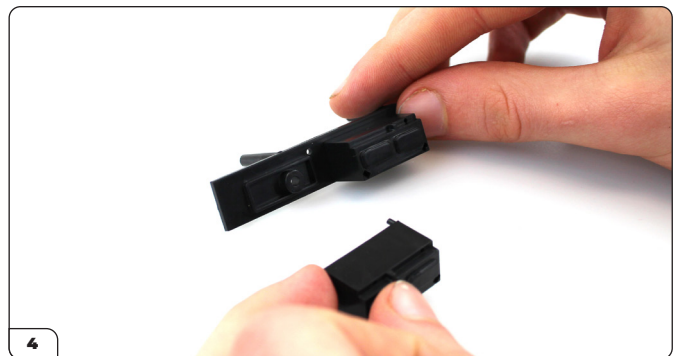
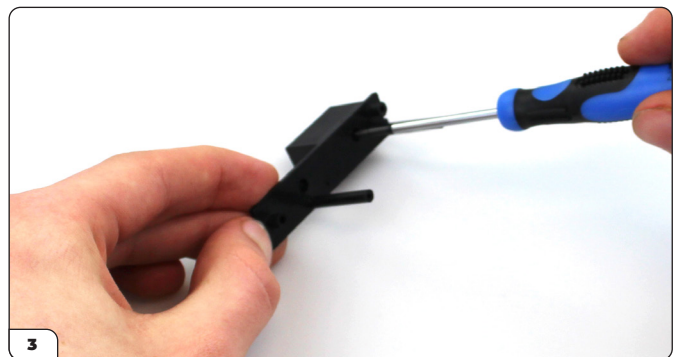
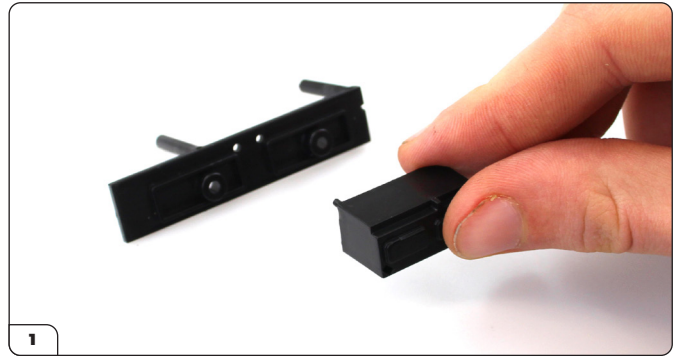
Stage 51: Batteries, battery cables & cut-off switch

STEP 1

INSTALL THE BATTERIES

Align the peg on the Right Battery with the hole on the Battery Bracket. Push together and fix from the underside using a Type OP08 screw.

Repeat to attach the Left Battery on the Battery Bracket.

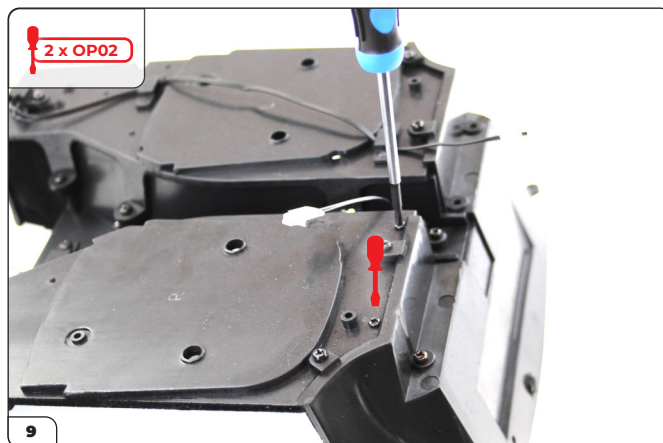
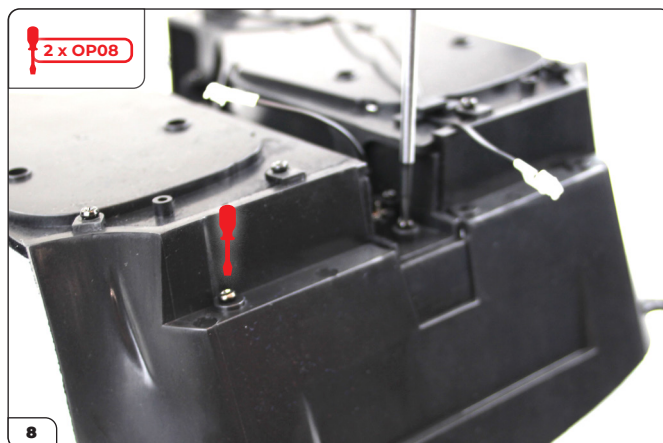
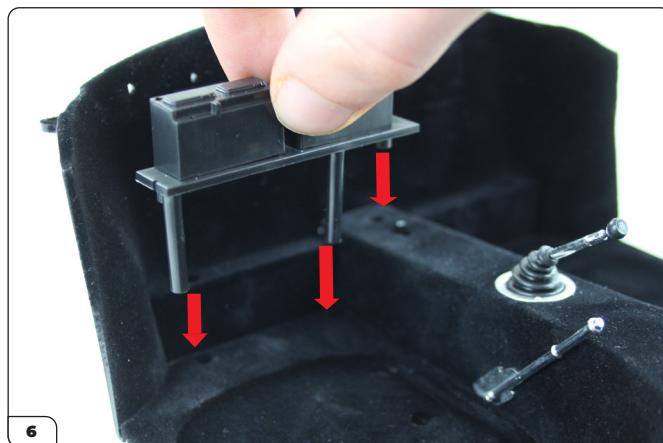


Stage 51: Batteries, battery cables & cut-off switch

CONTINUED...

The Batteries will now be installed behind the Passenger Seat.

Align the two long posts on the Bracket with the two holes in the floor, and the short post on the end of the bracket with the hole in the transmission tunnel. Position together and secure in place with 2 x TYPE OP08 screws and 2 x TYPE OP02 screws.



Stage 51: Batteries, battery cables & cut-off switch

STEP 2

INSTALL THE BATTERY CABLES AND CUT-OFF SWITCH

Place the Cut-off Switch Device on your worksurface with the flat side down. Rest Battery Cable 1 on the device. The 'T' shaped end fits inside the lower notch to prevent the cable from pulling out.

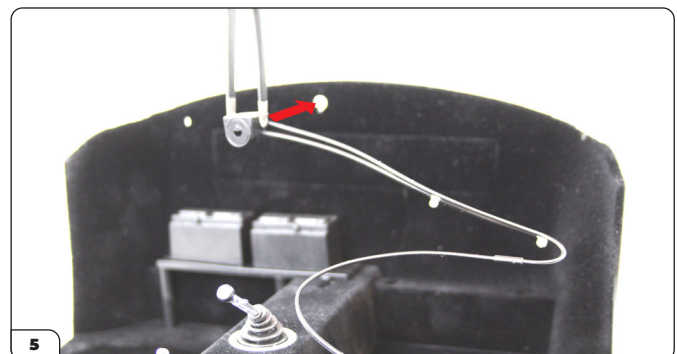
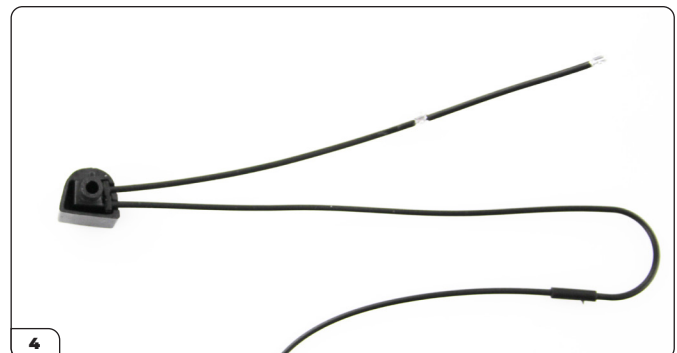
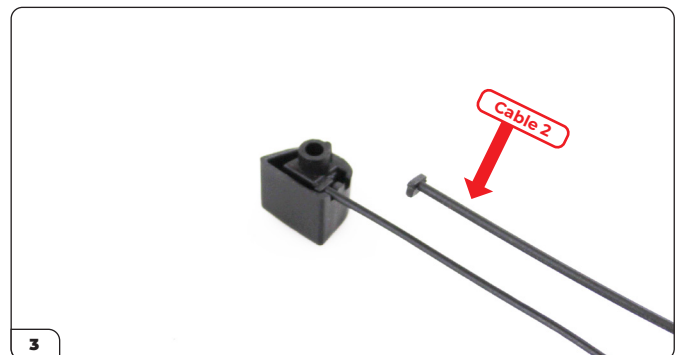
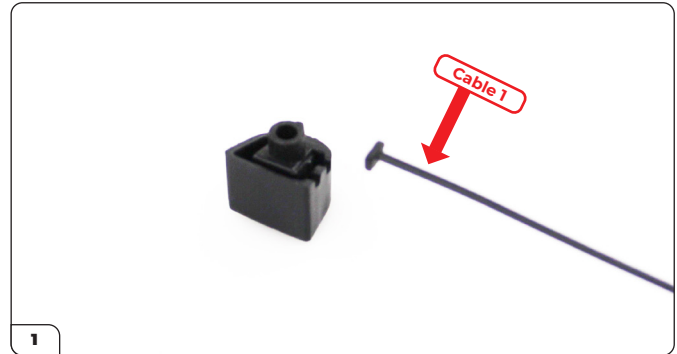
Lay Battery Cable 2 in the upper notch.

With the Cables still resting in place, carefully align the peg on the back of the assembly with the hole in the Cockpit Rear Wall.



ADVICE FROM THE EXPERTS

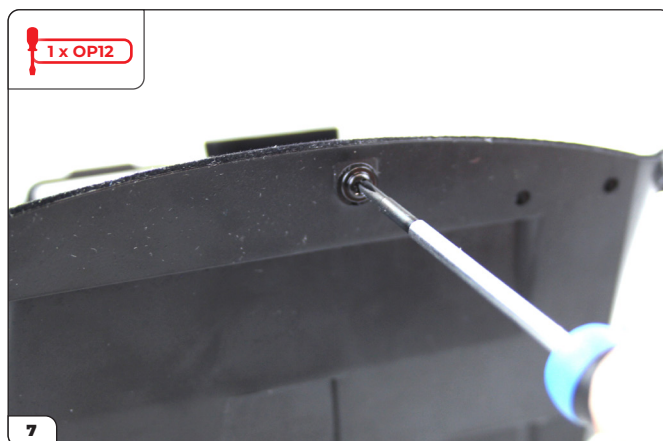
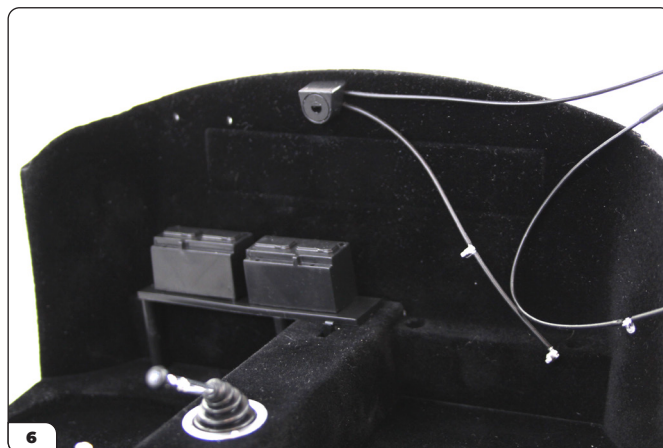
If necessary, you can fix the battery cables with a tiny drop of superglue applied with a cocktail stick.



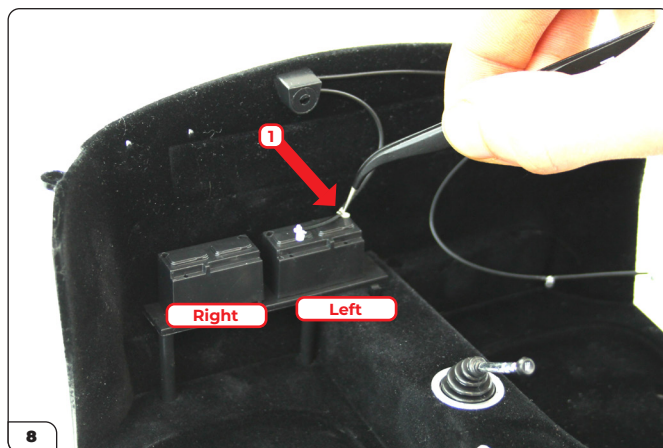
Stage 51: Batteries, battery cables & cut-off switch

CONTINUED...

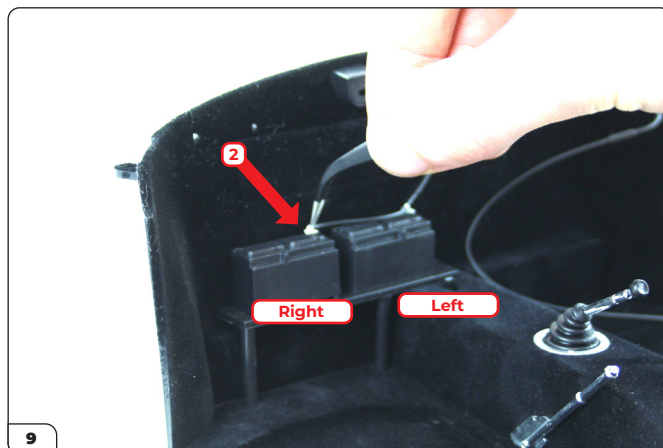
Secure the Cut-off Device from the reverse using a TYPE OP12 screw.



You will now connect the Battery Cables:
It will be easier if you use tweezers for this step.
Grab fixing No. 1 on Cable 2 and push it into position on the left-hand battery as shown.



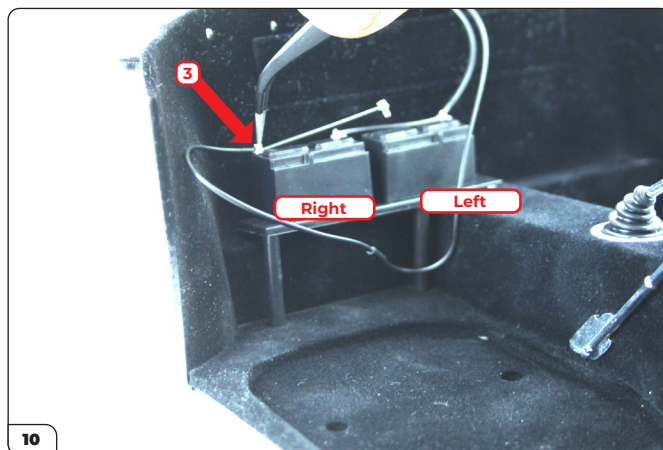
Then grab fixing No. 2 on Cable 2 and push it into the hole on the right-hand battery as shown.



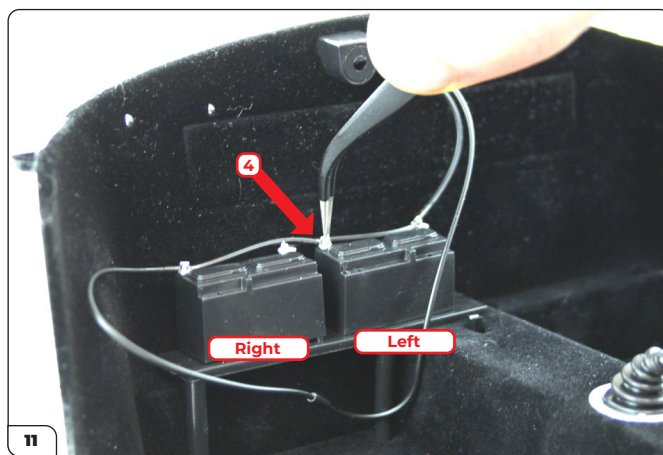
Stage 51: Batteries, battery cables & cut-off switch

CONTINUED...

Then grab fixing No. 3 on Cable 1 and push it into the hole on the right-hand battery.



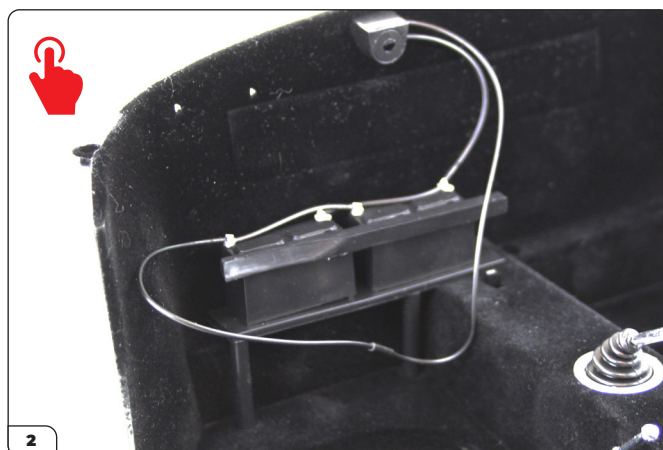
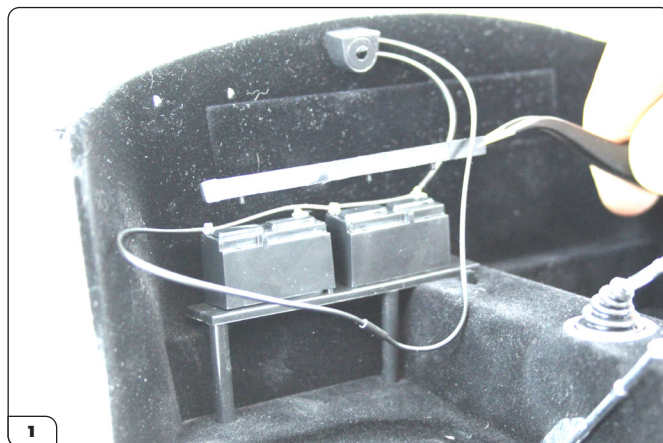
Then grab fixing No. 4 on Cable 1 and push it into the hole on the left-hand battery.



STEP 2

ATTACH THE BATTERY HOLDER AND CUT-OFF SWITCH

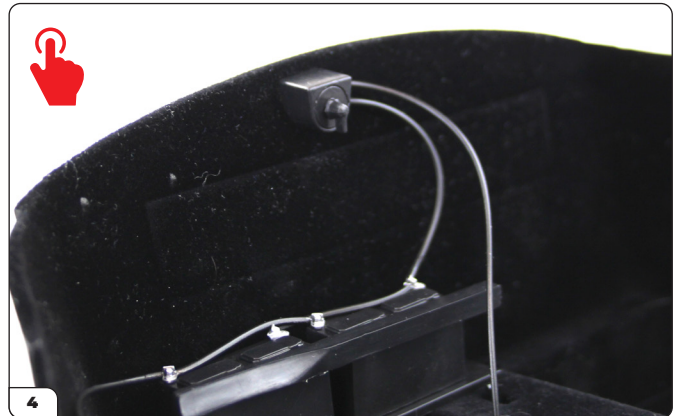
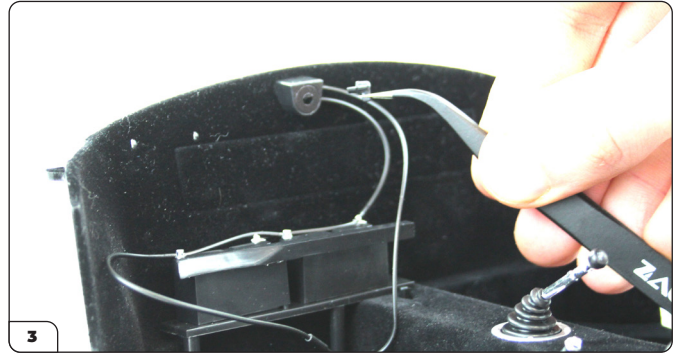
Align the pegs on the Battery Holder with the corresponding holes on the Batteries. Push into place.



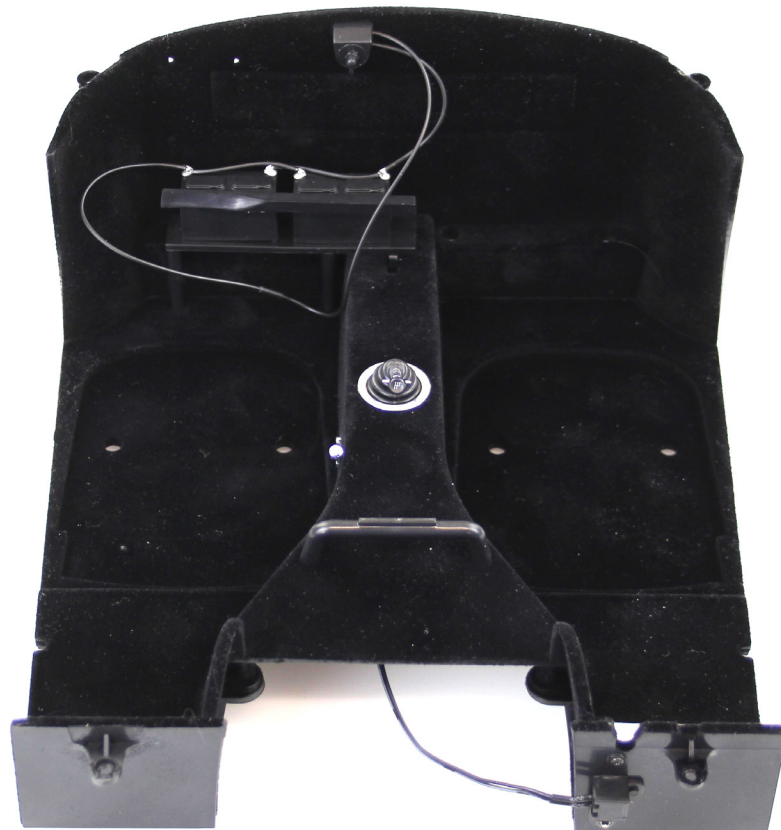
Stage 51: Batteries, battery cables & cut-off switch

CONTINUED...

Align the peg on the Cut-off Switch with the Cut-off Device and push firmly to fix in place.

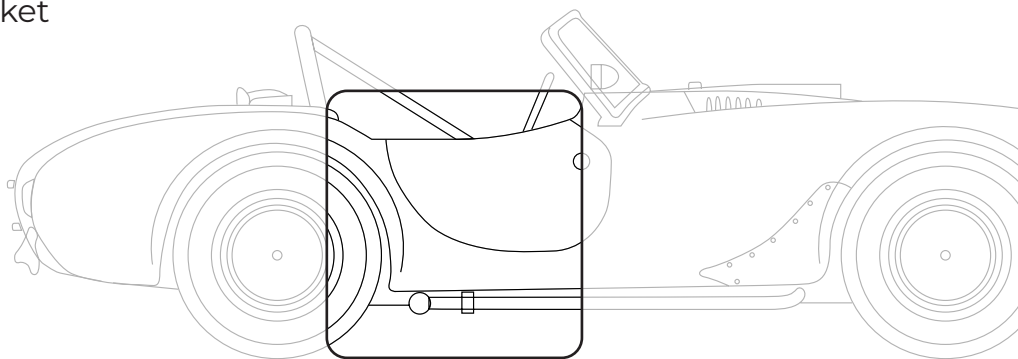


Stage 51 complete!



Stage 52: Driver's bucket seat

In stage 52 you will start to build the driver's seat. Unpack your bucket seat and move on to stage 53.



STAGE 52 PARTS LIST

Name	Quantity
Bucket Seat	1

Bucket Seat



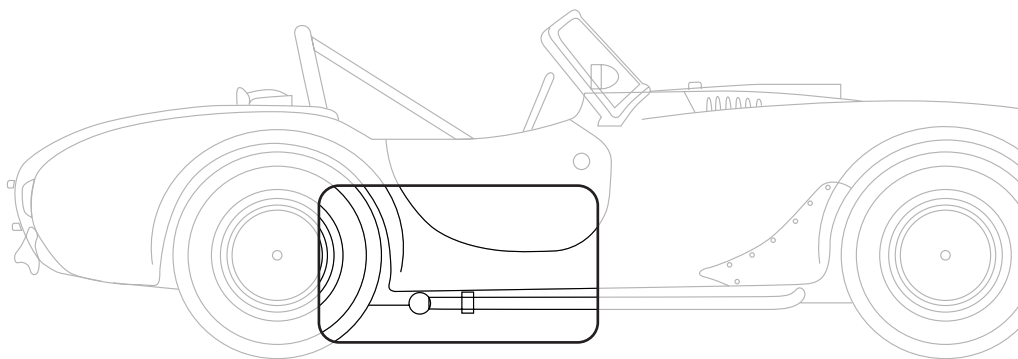
Stage 52: Driver's bucket seat

Stage 52 complete!



Stage 53: Driver's seat bottom

Now unpack the next part of the driver's seat and move on to stage 54.



STAGE 53 PARTS LIST

Name	Quantity
Seat	1



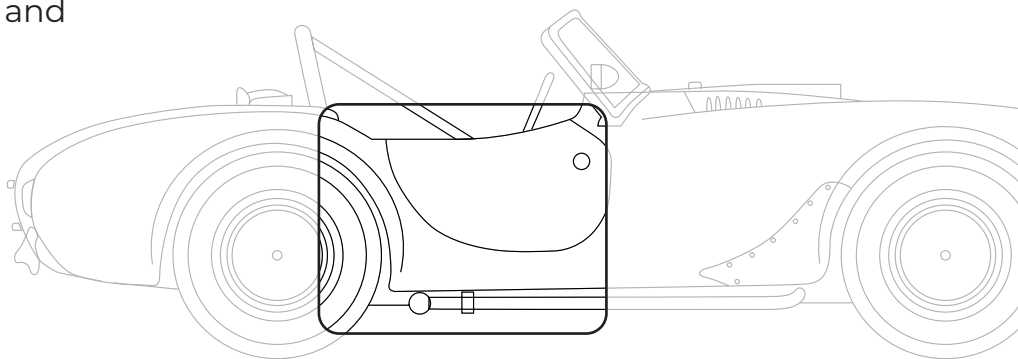
Stage 53: Driver's seat bottom

Stage 53 complete!



Stage 54: Driver's seat cover, seat belt and seat-belt harness

In stage 54, you will build and install the driver's seat and seat belt, and install the passenger seat and seat-belt harness.



STAGE 54 PARTS LIST

Name	Quantity
Seat belt right side	1
Seat belt left side	1
Double sided sticky tape	1
Seat cover	1
Seat belt harness right side	1
Seat belt harness left side	1
Seat belt hook	2
Screw TYPE OP13	5
Screw TYPE OP11	3

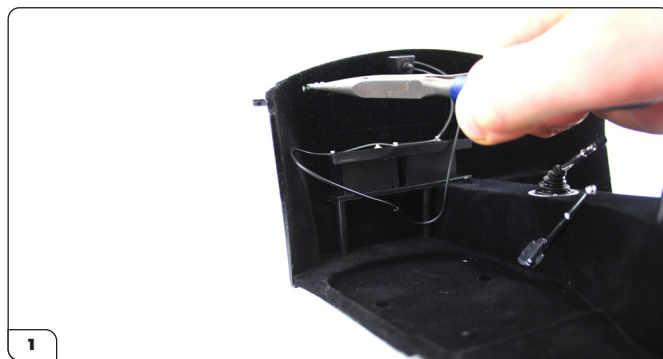


Stage 54: Driver's seat cover, seat belt and seat belt harness

STEP 1

ATTACH THE SEAT BELT HOOKS

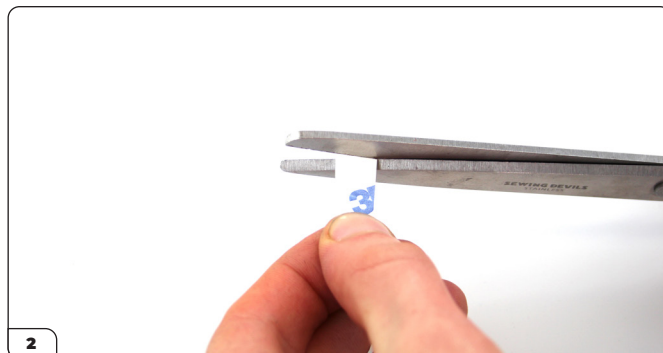
These hooks are the fixing hooks for the passenger seat harness. Take each hook and push it firmly into the holes above the batteries. They should be installed vertically so that the belt fixing can pass through sideways.



STEP 2

SLIDE ON THE DRIVER SEAT COVER

Start by measuring the Double-sided Sticky Tape along the side of the seat as shown. Cut four equal lengths of tape, peel off the backing, and stick to both sides of the seat.



Stage 54: Driver's seat cover, seat belt and seat-belt harness

CONTINUED...

Peel off the top backing sheet from the tape and slide on the Seat Cover. Position the cover so that the seams run along the sides of the seat back and bottom. Push firmly to fit, making sure the sides of the cover adhere well to the tape.

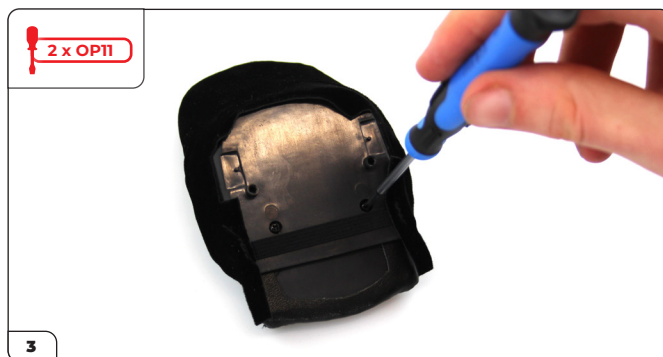


Stage 54: Driver's seat cover, seat belt and seat-belt harness

STEP 3

ADD THE SEAT BOTTOM

Align the seat bottom so that the narrow edge is at the back of the seat. Push into place and secure from the underside using 2 x TYPE OP11 screws.



STEP 4

ATTACH THE SEAT BELTS

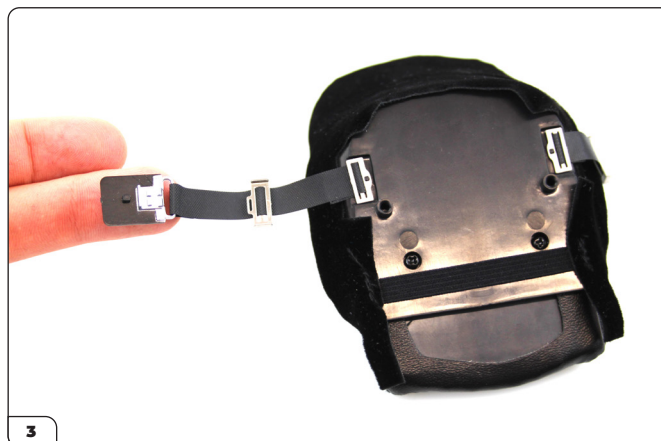
Place the Seat upside down on your worksurface and place the Seat Belts on either side, ready to fit. Push the seat belt fixing into the recess on the seat, over the little peg.



Stage 54: Driver's seat cover, seat belt and seat-belt harness

CONTINUED...

Repeat with the Left Seat Belt. Turn the seat the right way up and fasten the Seat Belts.



STEP 5

INSTALL THE PASSENGER SEAT-BELT HARNESS

Check you have the Seat-Belt Harness on the correct sides of the seat. The buckles at the bottom should have the longer projection on the inside. The hooks face the same way, to the outside of the car. Hook the ends of the Belts over the Hooks installed in step 1.



Stage 54: Driver's seat cover, seat belt and seat-belt harness

STEP 6

INSTALL THE SEATS

Starting with the Passenger Seat, lift back the Seat Belt Harness so the belts are out of the way.

Align the lugs on the bottom of the seat with the holes on the floor. Fix in place from the underside using 2 x TYPE OP13 screws.

Repeat to install the Driver Seat.



ADVICE FROM THE EXPERTS

You can tell the passenger seat from the driver's seat by the orientation of the seat belt buckles.



Stage 54: Driver's seat cover, seat belt and seat-belt harness

CONTINUED...

Fix the Driver's Seat in place from the underside using 2 x TYPE OP13 screws.

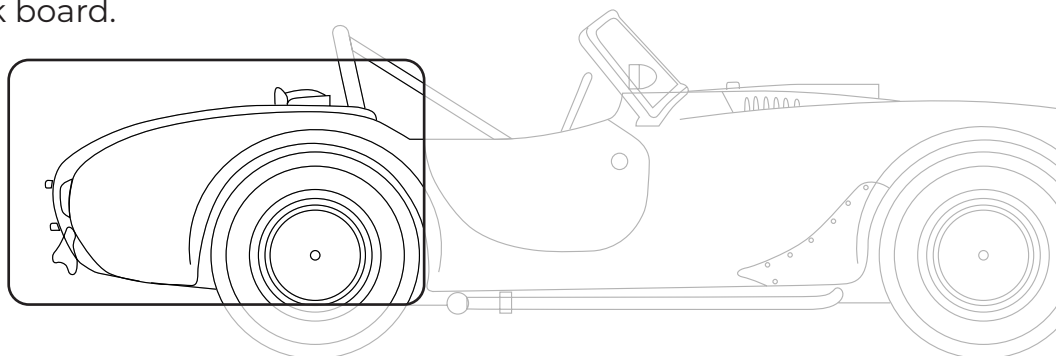


Stage 54 complete!



Stage 55: Trunk board and tank filler pipe

In stage 55, you will attach the tank filler pipe to the lower trunk board.



STAGE 55 PARTS LIST

Name	Quantity
Lower trunk board	1
Tank filler pipe	1
Screws TYPE OP05	2

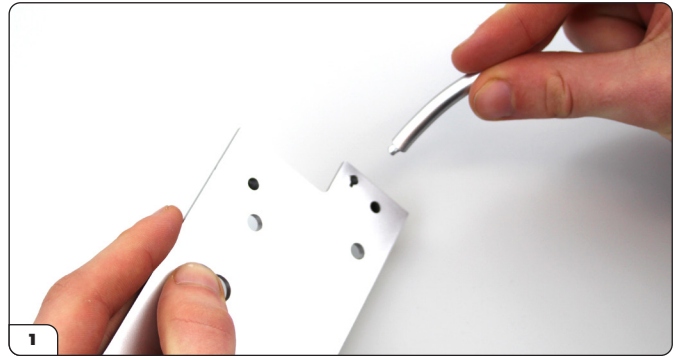


Stage 55: Trunk board and tank filler pipe

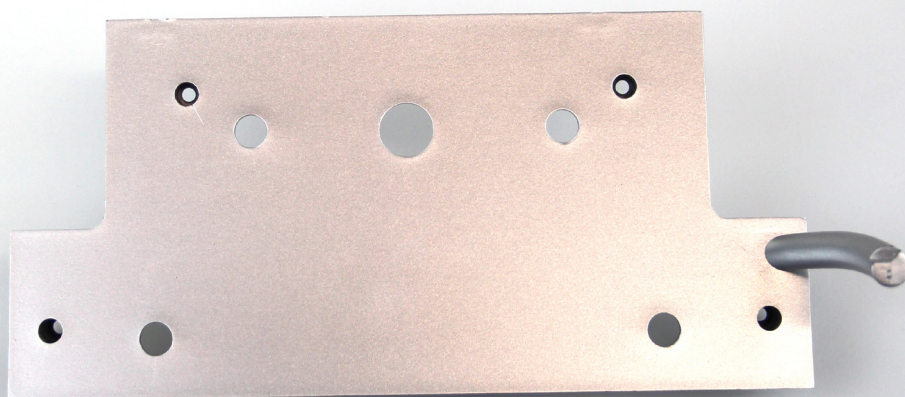
STEP 1

ATTACH THE FILLER PIPE

Align the peg on the Filler Pipe with the hole on the Trunk Board as shown. There is only one way to position the pipe. Fix in place from the reverse using a TYPE OP05 screw.

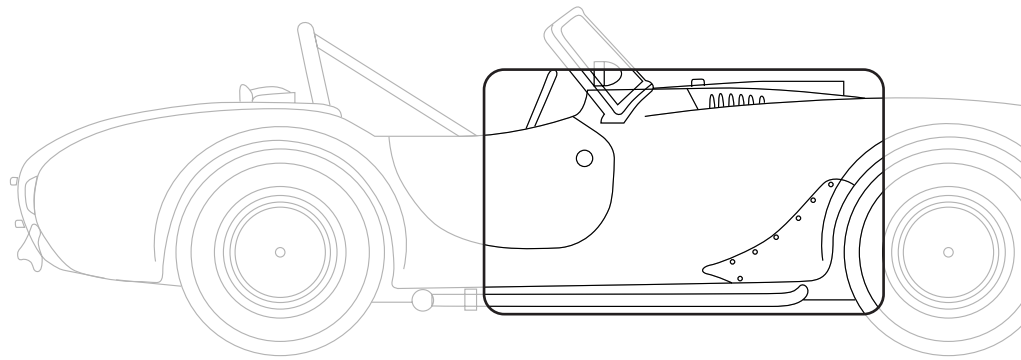


Stage 55 complete!



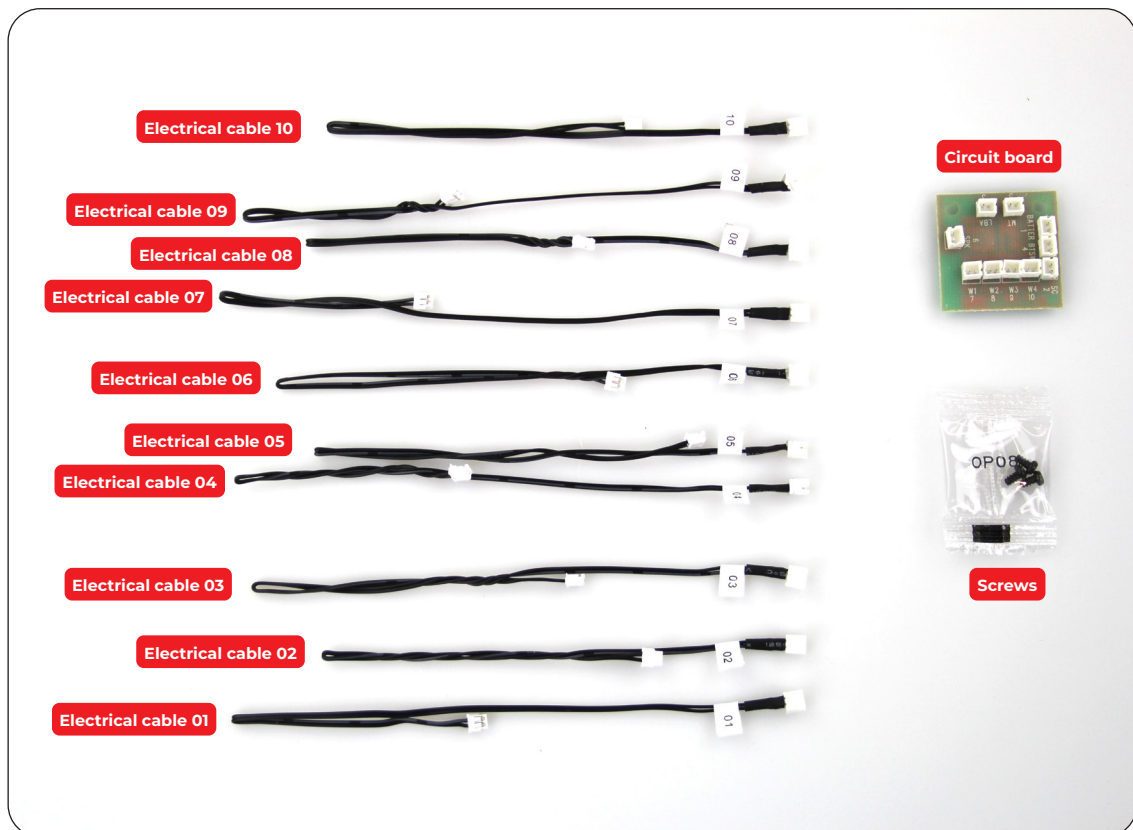
Stage 56: Circuit board and electrical cables

In stage 56, you will build the circuit board and connect the electrical cables.



STAGE 56 PARTS LIST

Name	Quantity
Circuit board	1
Electrical cable 01	1
Electrical cable 02	1
Electrical cable 03	1
Electrical cable 04	1
Electrical cable 05	1
Electrical cable 06	1
Electrical cable 07	1
Electrical cable 08	1
Electrical cable 09	1
Electrical cable 10	1
Screws TYPE OP08	3



Stage 56: Circuit board and electrical cables

STEP 1

PLUG THE ELECTRICAL CABLES INTO THE CIRCUIT BOARD

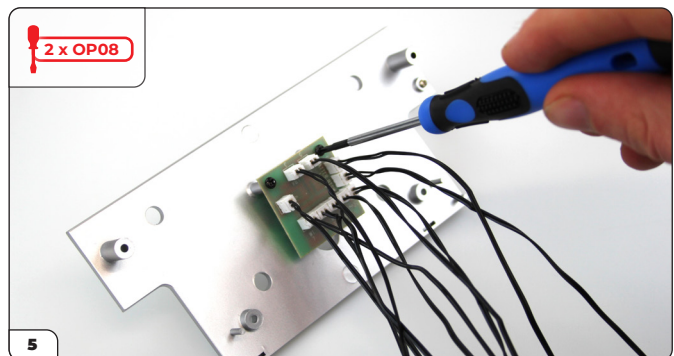
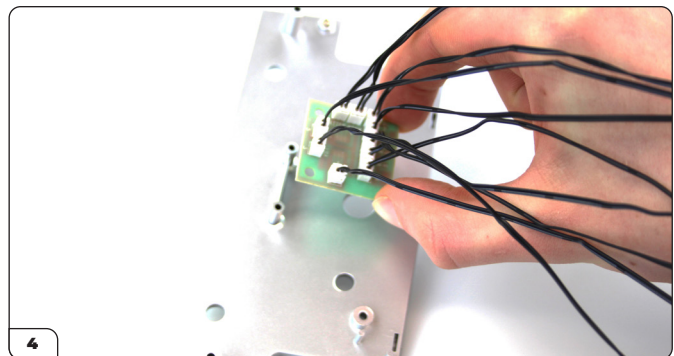
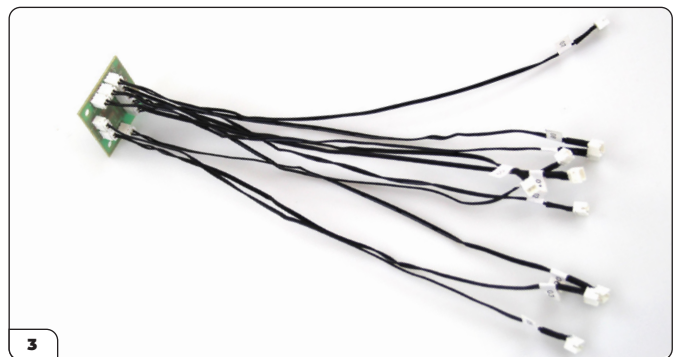
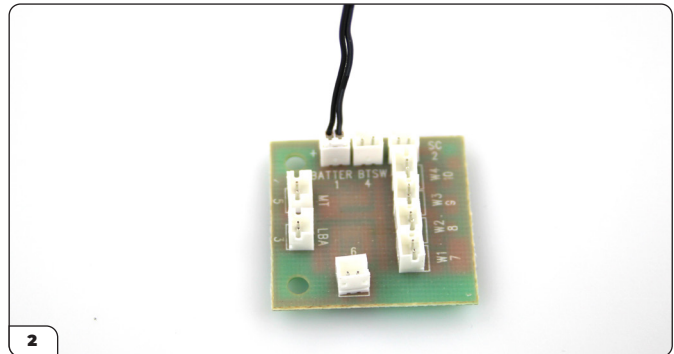
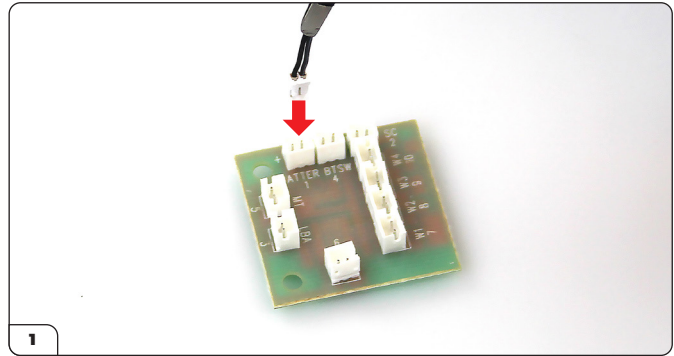
The number on each Cable corresponds with each number on the Circuit Board. Take each Cable, starting with No.1., and plug it into its correct socket. The plugs will only go in one way round.

Align the two screw holes on the Circuit Board with the two raised screw holes on the trunk board from stage 55 as shown. Fix in place with 2 x TYPE OP08 Screws.



ADVICE FROM THE EXPERTS

If you need to remove a plug, pull it out by the plastic connector. Do not pull it out by the cable.



Stage 56: Circuit board and electrical cables

Stage 56 complete!

